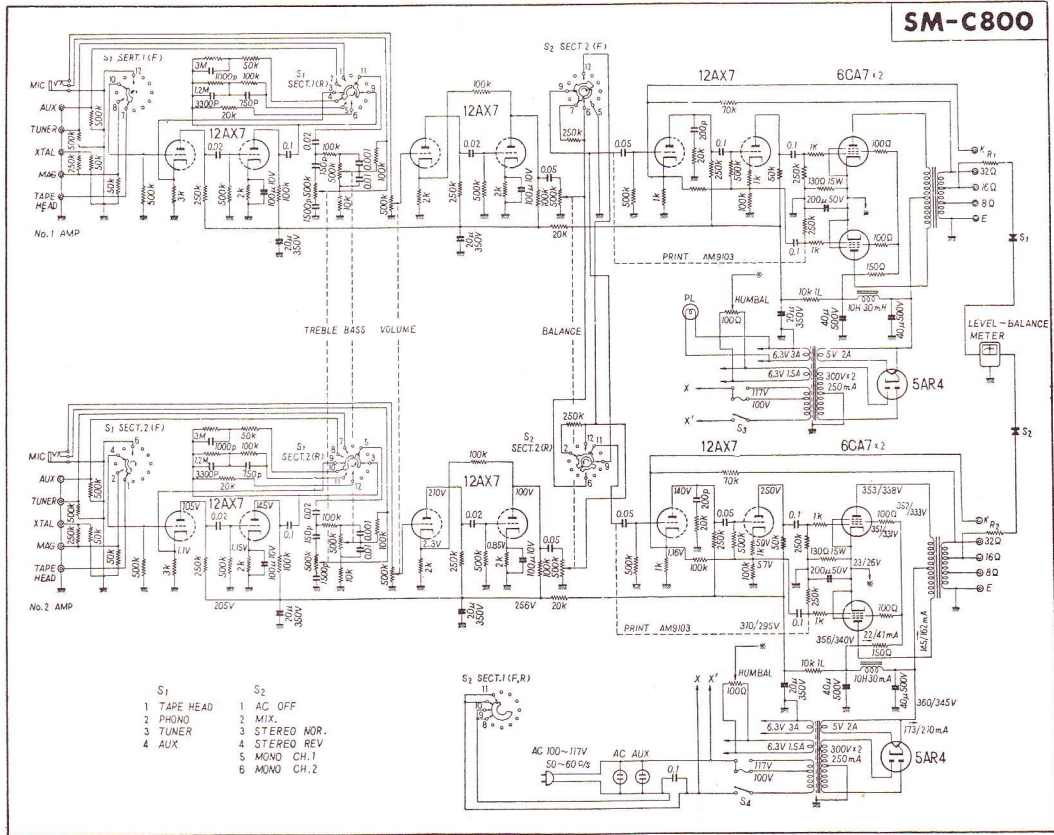
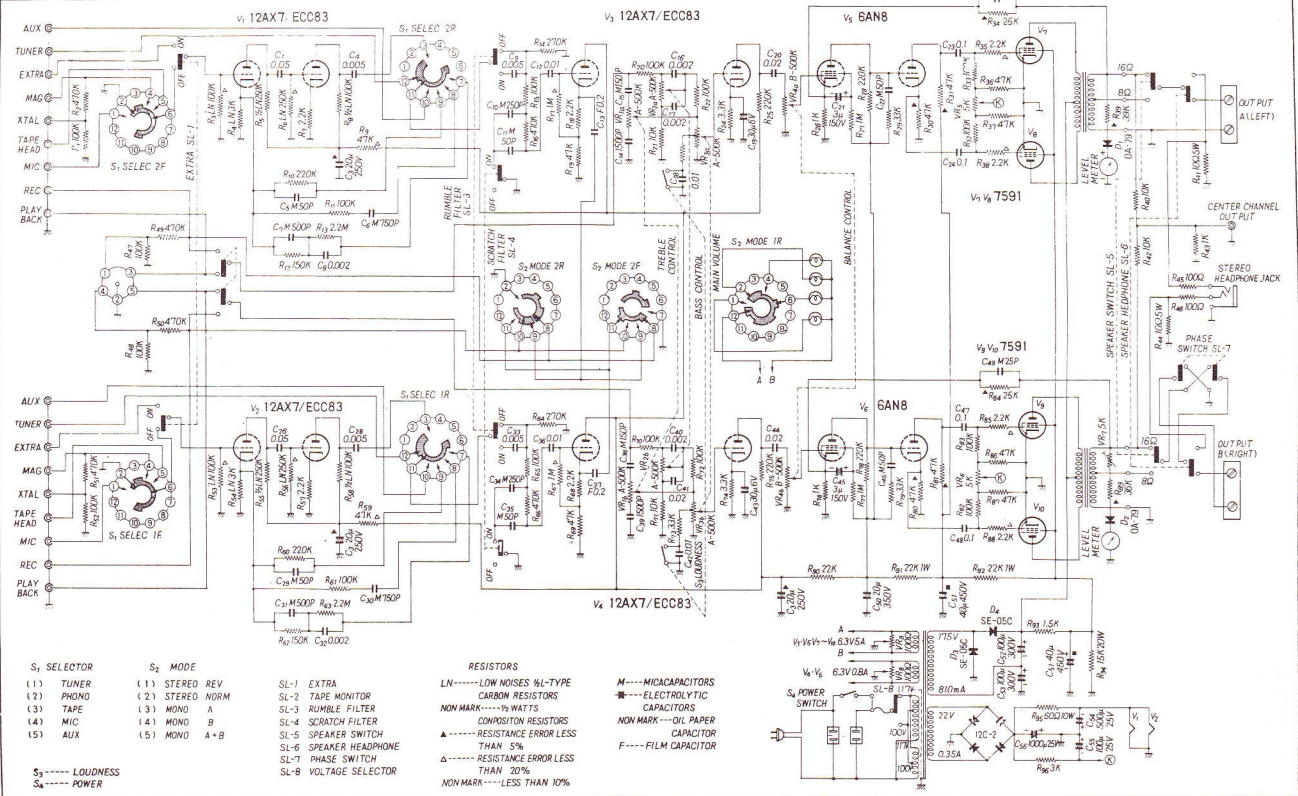


SM-C800



- S<sub>1</sub> S<sub>2</sub>
- |             |               |
|-------------|---------------|
| 1 TAPE HEAD | 1 AC OFF      |
| 2 PHONO     | 2 MIX.        |
| 3 TUNER     | 3 STEREO MON. |
| 4 AUX       | 4 STEREO REV  |
|             | 5 MONO CH. 1  |
|             | 6 MONO CH. 2  |

SM-801



- S<sub>1</sub> SELECTOR S<sub>2</sub> MODE
- |           |                 |                        |
|-----------|-----------------|------------------------|
| (1) TUNER | (1) STEREO REV  | SL-1 EXTRA             |
| (2) PHONO | (2) STEREO NORM | SL-2 TAPE MONITOR      |
| (3) TAPE  | (3) MONO A      | SL-3 RUMBLE FILTER     |
| (4) MIC   | (4) MONO B      | SL-4 SCRATCH FILTER    |
| (5) AUX   | (5) MONO A+B    | SL-5 SPEAKER SWITCH    |
|           |                 | SL-6 SPEAKER HEADPHONE |
|           |                 | SL-7 PHASE SWITCH      |
|           |                 | SL-8 VOLTAGE SELECTOR  |
- S<sub>3</sub> LOUDNESS  
S<sub>4</sub> POWER

- RESISTORS
- LN-----LOW NOISES 1/4-TYPE CARBON RESISTORS
  - NON MARK-----1/2 WATTS
  - CONTOUR RESISTORS
  - ▲-----RESISTANCE ERROR LESS THAN 5%
  - △-----RESISTANCE ERROR LESS THAN 20%
  - NON MARK-----LESS THAN 10%
- M-----MICROCAPACITORS  
E-----ELECTROLYTIC CAPACITORS  
NON MARK-----OIL PAPER CAPACITOR  
F-----FILM CAPACITOR