

ICF-5500M

UK Model
AEP Model



FM-SW-MARINE-MW 4-BAND PORTABLE RADIO

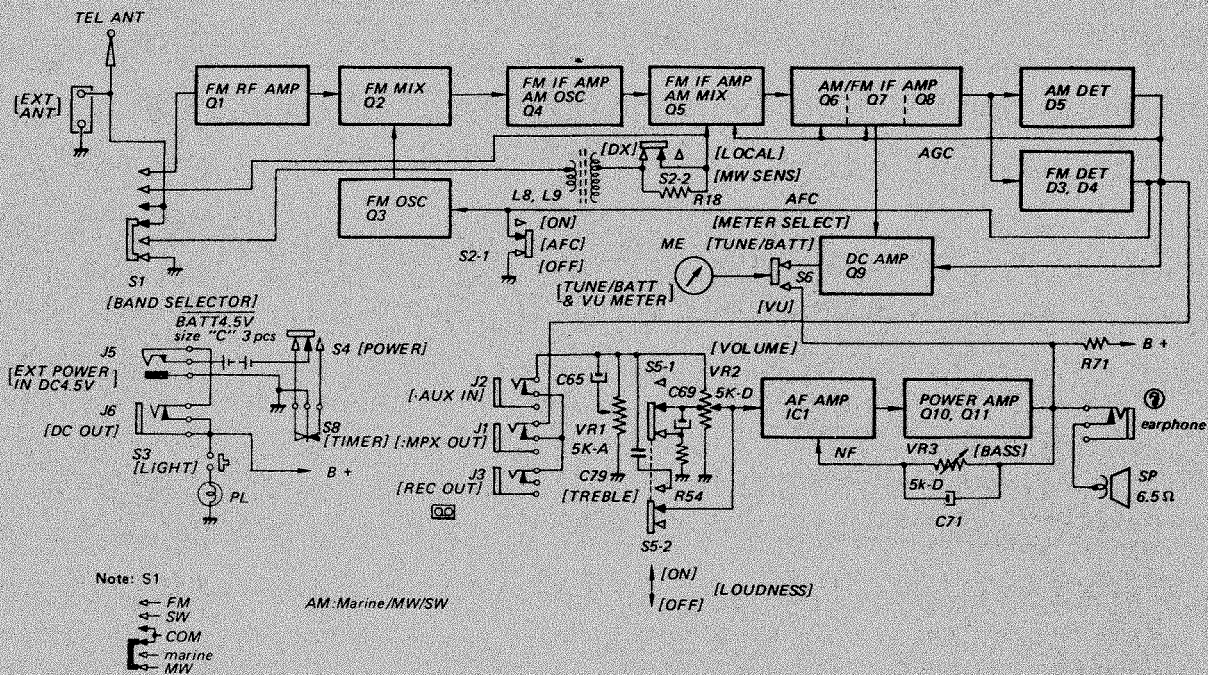
SPECIFICATIONS

Circuit:	superheterodyne	Power Output	
Semiconductors:	10 transistors, 1 IC, 1 FET 8 diodes	at 10% distortion:	1.6W (UK Model) 1.8W (AEP Model)
Frequency Ranges:	FM 87.5~108 MHz (3.43~2.78 m) Marine 1.6~4.5 MHz (187~66.7 m) SW 4.5~12 MHz (66.7~25 m) MW 530~1,605 kHz (566~187 m)	Current Drain	
Intermediate Frequencies:	FM 10.7 MHz MW/Marine/SW 468 kHz (UK Model) 455 kHz (AEP Model)	at no signal:	FM 40mA Marine/SW/MW 32mA
Antennas:	FM/Marine/SW built-in telescopic antenna or external antenna MW/Marine built-in ferrite bar antenna	Speaker:	120mm (4 3/4 inch) dia PM dynamic, 6.5Ω
Sensitivity		Inputs:	AUX IN approximately 3.3 kΩ EXT ANT 75Ω unbalanced EXT POWER IN DC 4.5V
at 50 mW output:	FM 1.4μV (3 dB), S/N = 6 dB 4μV (12 dB), S/N = 30 dB MW 31.6μV/m (30 dB/m), S/N = 6 dB SW 1.4μV (3 dB), S/N = 6 dB Marine 4μV/m (2 dB/m), S/N = 6 dB	Outputs:	MPX OUT 5 kΩ rec out 1 kΩ earphone 6.5Ω
Selectivity:	35 dB at ±10 kHz off-resonance at 600 kHz	TIMER:	60 minutes maximum
Signal-to-Noise Ratio:	FM 60 dB at 98 MHz with 54 dB (500μV) input MW 37 dB at 1,000 kHz with 60 dB/m (1mV/m) input Marine 44 dB at 3 MHz with 44 dB/m input SW 47 dB at 8 MHz with 44 dB input	Power Requirements:	4.5V DC, three size-"C" flashlight batteries or 120V/220V AC, 50/60 Hz house current using ac adaptor SONY AC-14 DC 12V using car battery cord SONY DCC-127
		Dimensions:	174 (w) x 210 (h) x 72 (d) mm 6 7/8 (w) x 8 1/4 (h) x 2 7/8 (d) inches
		Weight:	1,560 g (3 lb 7 oz) with batteries

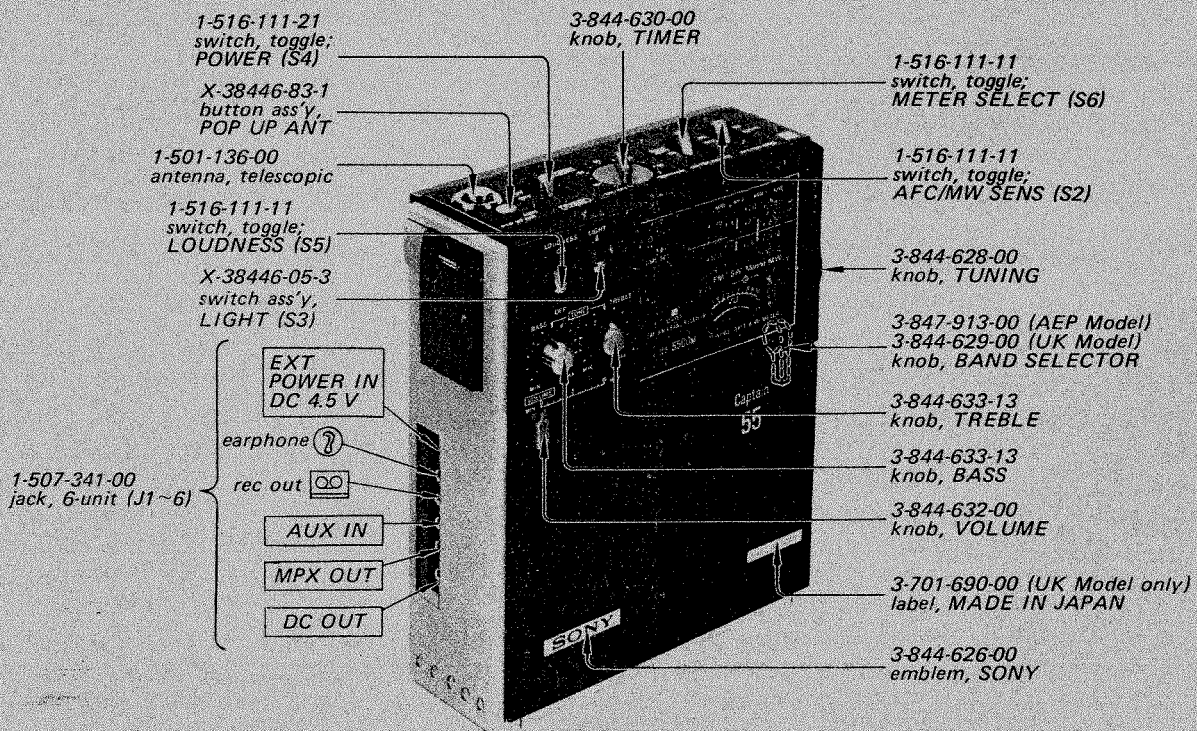
SONY[®]
SERVICE MANUAL

ICF-5500M

1. BLOCK DIAGRAM



2. EXTERNAL VIEW (1)



4. DISASSEMBLY

REAR CABINET ASS'Y REMOVAL

② Remove four self-tapping screws, P3x52.

① Remove battery lid ass'y. ③ Remove rear cabinet ass'y.

CHASSIS REMOVAL

① Pull off three knobs.

Remove.

TIMER knob

Wedge.

Marine/MW ferrite bar ant coil

main cabinet ass'y

slot screwdriver

② Remove telescopic antenna sleeve.

③ TIMER knob

④ Remove chassis in the direction shown by the arrow.

⑤ TUNING knob

BAND SELECTOR knob

⑥

Note: In step ②, it is good help to push variable resistor shafts (BASS and TREBLE) and toggle switch knobs (LOUDNESS and LIGHT).

Push shafts and knobs.

slot screwdriver

TUNING knob

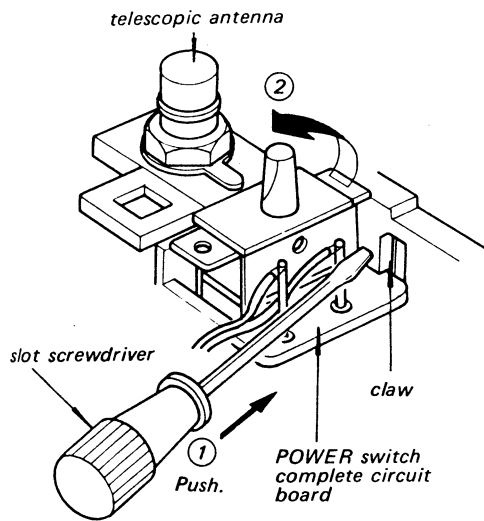
soft cloth

soft cloth

slot screwdriver

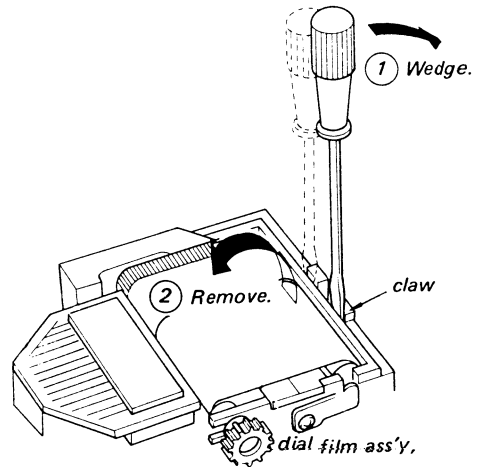
POWER SWITCH CIRCUIT BOARD REMOVAL

- ① Remove POWER switch complete circuit board in the direction shown by the arrow ② by pushing main chassis claw with a slot screwdriver.



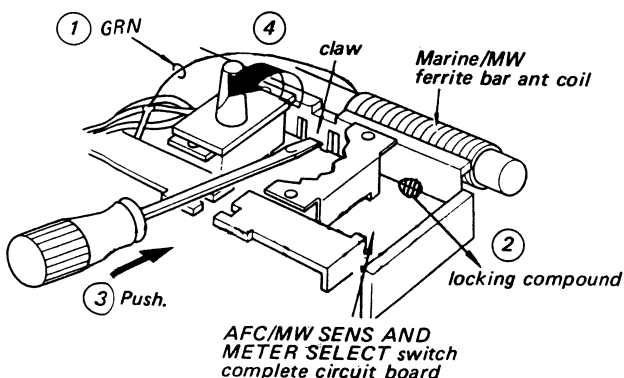
DIAL FILM ASS'Y REMOVAL

- ① Release main chassis claw by wedging with a slot screwdriver.
- ② Remove dial film ass'y in the direction shown by the arrow holding the dial film with finger preventing it from being strongly rewound by dial film spring.



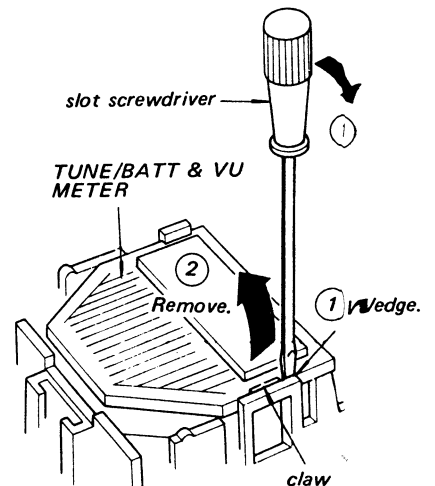
AFC/MW SENS AND METER SELECT SWITCH CIRCUIT BOARD REMOVAL

- ① Unsolder GRN antenna lead wire.
- ② Remove locking compound.
- ③ Remove AFC/MW SENS AND METER SELECT switch complete circuit board in the direction shown by the arrow ④ by pushing main chassis claw with a slot screwdriver.



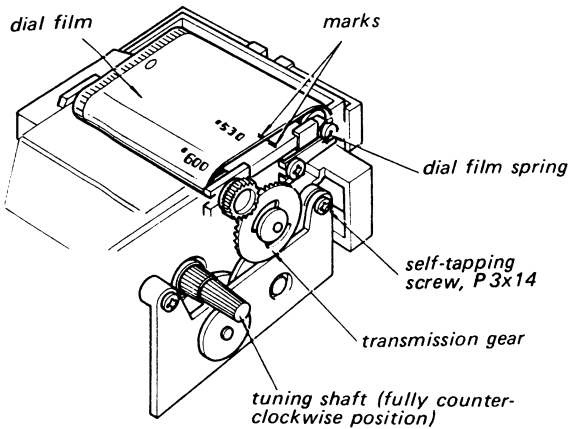
TUNE/BATT & VU METER REMOVAL

- ① Release main chassis claw by wedging with a slot screwdriver.
- ② Remove TUNE/BATT & VU METER in the direction shown by the arrow.



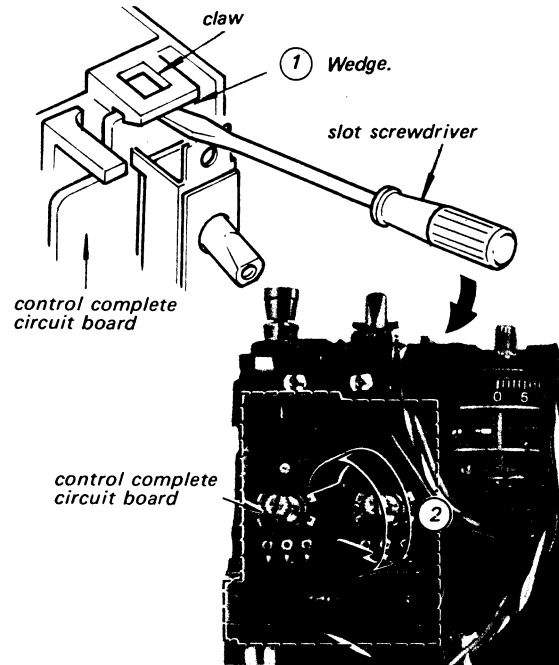
DIAL FILM ASS'Y RESETTING

- ① Set the tuning shaft at fully counterclockwise position.
- ② Put the dial film ass'y in place and align the marks on the dial film and dial film chassis. If the marks can not be aligned correctly, loosen self-tapping screw, P 3x14, and carefully adjust the transmission gear so that the marks are aligned.
- ③ Turn the dial film spring in the direction shown by the arrow to give an adequate tension to the dial film.

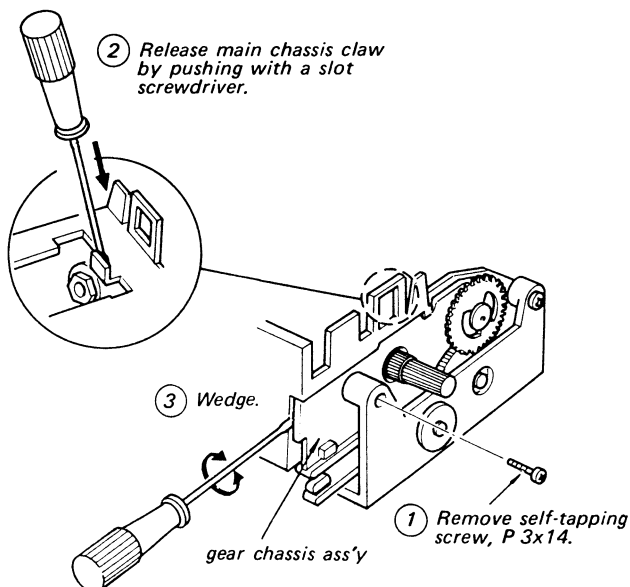


CONTROL CIRCUIT BOARD REMOVAL

- ① Remove control complete circuit board in the direction shown by the arrow ② by releasing chassis claw with a slot screwdriver.

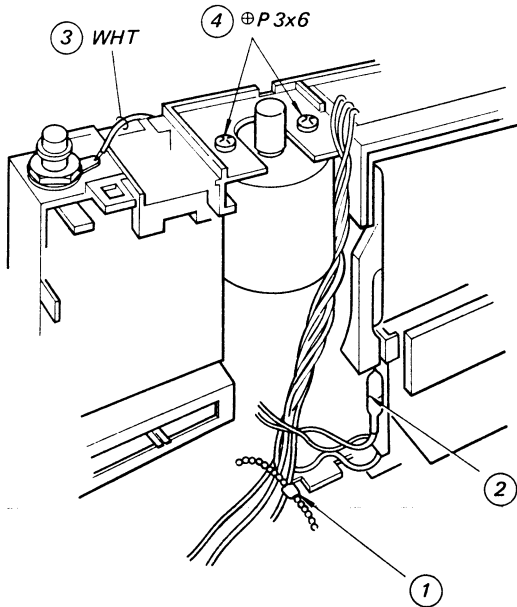


GEAR CHASSIS REMOVAL

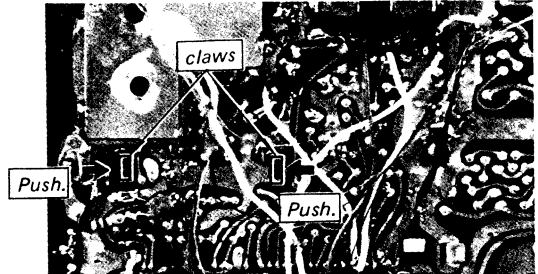


MAIN CIRCUIT BOARD REMOVAL

- ① Remove wire tie.
- ② Remove lamp from main chassis.
- ③ Unsolder WHT lead wire at telescopic antenna solder lug.
- ④ Remove two machine screws, P 3x6.

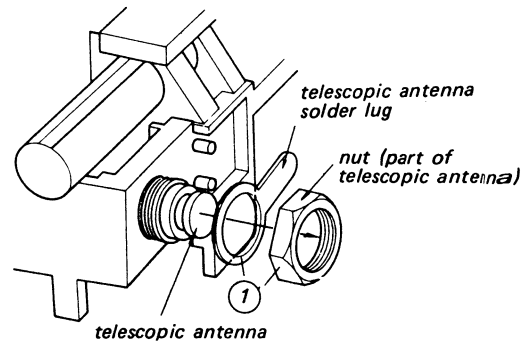


- ⑤ Remove main circuit board by releasing two main chassis claws.

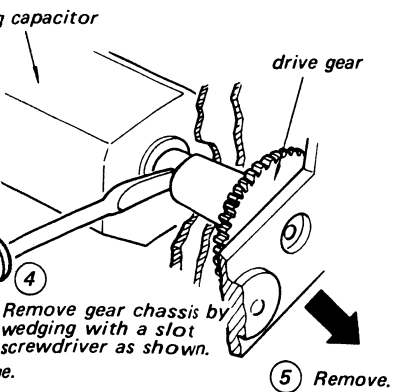
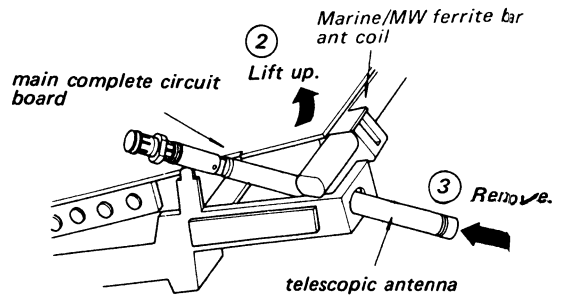


TELESCOPIC ANTENNA REMOVAL

- ① Remove nut and telescopic antenna solder lug from telescopic antenna.



- ② Release two main chassis claws as shown in Step ⑤ in Main Circuit Board Removal and lift the main circuit board up.
- ③ Remove telescopic antenna as shown



5. ADJUSTMENTS

Test Equipment/Tools Required:

AM rf signal generator
 FM rf signal generator
 VOM
 VTVM
 Loop antenna
 6.5Ω, 2W resistor

Note: 1. Remove chassis and TUNE/BATT & VU METER referring to pages 5 and 6 before performing adjustments.

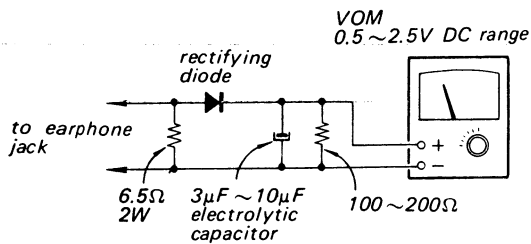
2. Modulation

AM: 30% amplitude modulation by 400 Hz signal.

FM: ±22.5 kHz frequency deviation by 400 Hz signal.

3. AM, FM rf signal generator output level should be usable lowest possible for following adjustments.

4. When 0.5 ~ 1.5V AC range is not available on the VOM, use a VTVM instead of the VOM or use a rectifying circuit with the VOM 0.5 ~ 2.5V DC range as shown below.



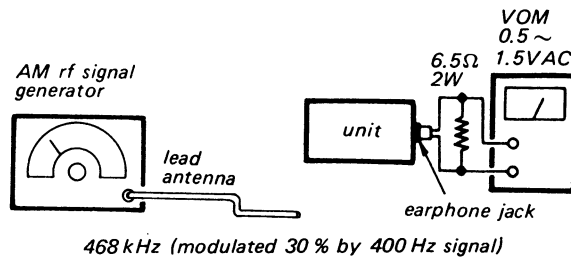
5. It is recommended that MW or Marine, FM and SW maximum sensitivity measurements on pages 11 and 12 be performed in a standard shielded room.

AM I-f Alignment

Settings:

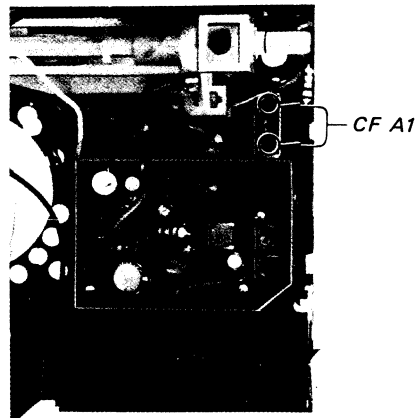
BAND SELECTOR switch: MW
 VOLUME control: MAX
 TONE controls: MAX

Procedure:



Adjust	VOM reading
CF A1	maximum

Adjustment Location:

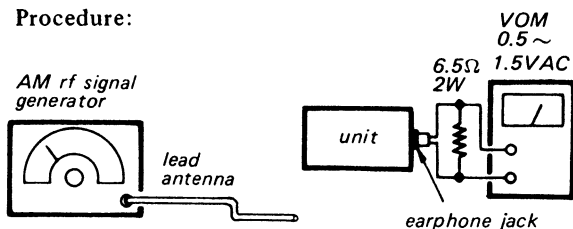


MW Frequency Coverage and Tracking Adjustments

Settings:

BAND SELECTOR switch: MW
 VOLUME control: MAX
 TONE controls: MAX

Procedure:



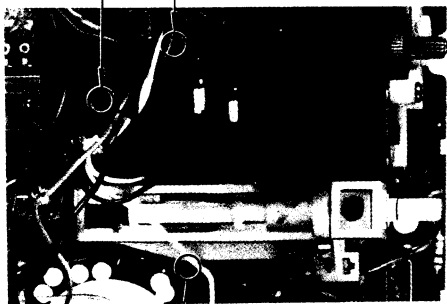
Adjustment	Step	Signal frequency	Tuning knob	Adjust	VOM reading
Frequency Coverage	1	520 kHz	fully counterclockwise	L12	maximum
	2	1,680 kHz	fully clockwise	CT6	maximum
Tracking	1	620 kHz	tune in 620 kHz	L9	maximum
	2	1,400 kHz	tune in 1,400 kHz	CT3	maximum

Note: Repeat above steps two or three times until desired result is obtained ending with step 2. Fix L9 with wax after adjustment.

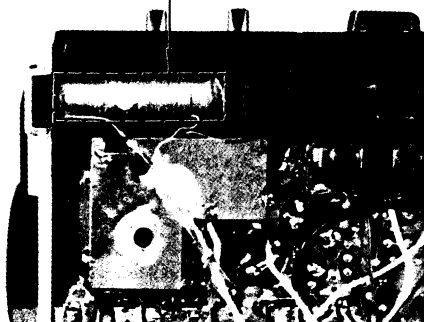
Adjustment Locations:

frequency coverage

CT6 L12



CT3 L9 } *tracking*

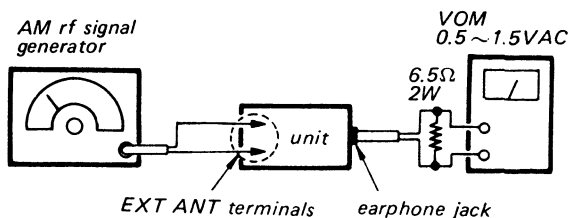


SW Frequency Coverage and Tracking Adjustments

Settings:

BAND SELECTOR switch: SW
 VOLUME control: MAX
 TONE controls: MAX

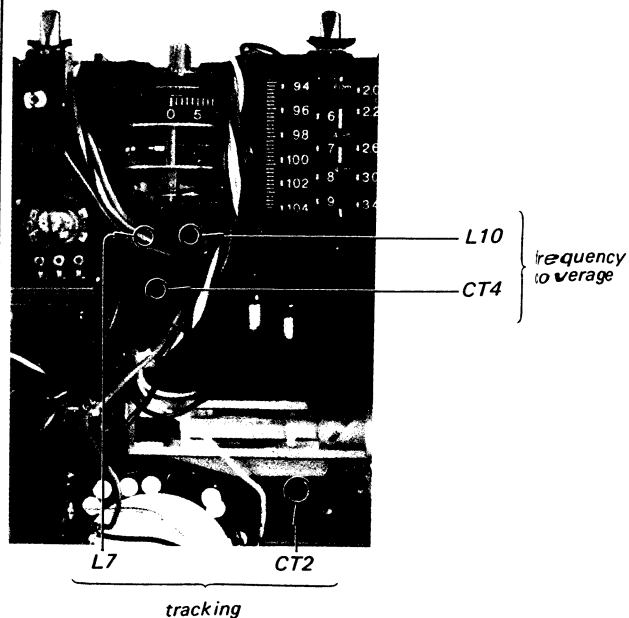
Procedure:



Adjustment	Step	Signal frequency	Tuning knob	Adjust	VOM reading
Frequency Coverage	1	4.3 MHz	fully counterclockwise	L10	maximum
	2	12.5 MHz	fully clockwise	CT4	maximum
Tracking	1	4.3 MHz	fully counterclockwise	L7	maximum
	2	12.5 MHz	fully clockwise	CT2	maximum

Note: Repeat above steps two or three times until desired result is obtained ending with step 2.

Adjustment Locations:

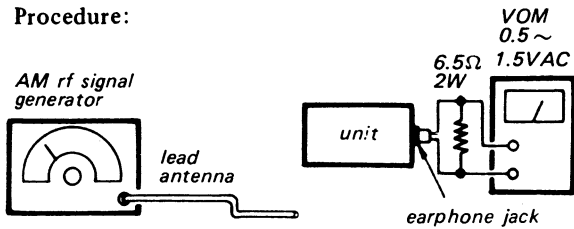


Marine Frequency Coverage and Tracking Adjustments

Settings:

BAND SELECTOR switch: Marine
 VOLUME control: MAX
 TONE controls: MAX

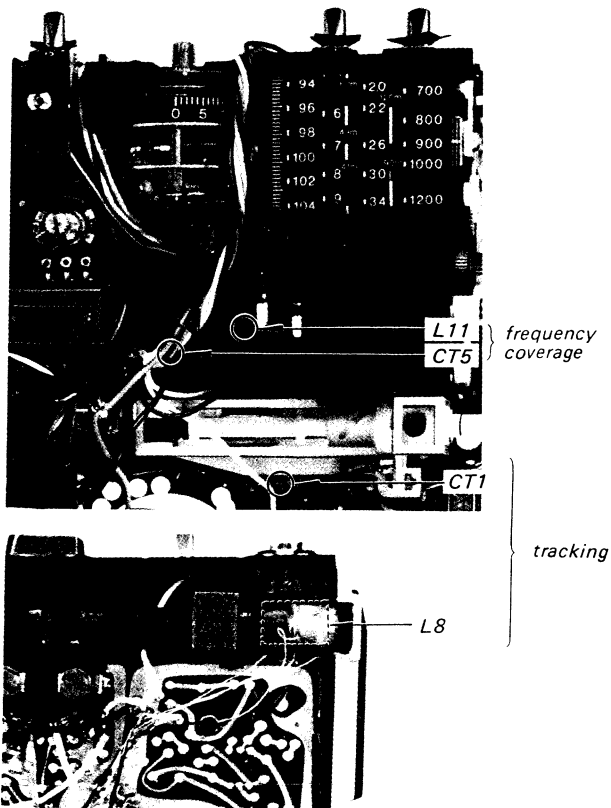
Procedure:



Adjustment	Step	Signal frequency	Tuning knob	Adjust	VOM reading
Frequency Coverage	1	1.5 MHz	fully counterclockwise	L11	maximum
	2	4.6 MHz	fully clockwise	CT5	maximum
Tracking	1	1.5 MHz	fully counterclockwise	L8	maximum
	2	4.6 MHz	fully clockwise	CT1	maximum

Note: Repeat above steps two or three times until desired result is obtained ending with step 2. Fix L8 with wax after adjustment.

Adjustment Locations:

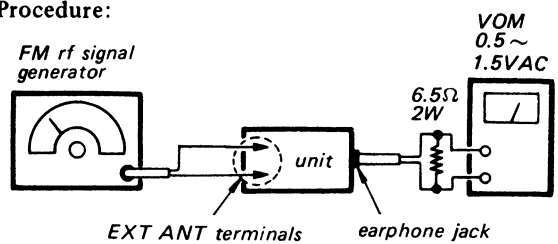


FM I-f Alignment and Discriminator Adjustment

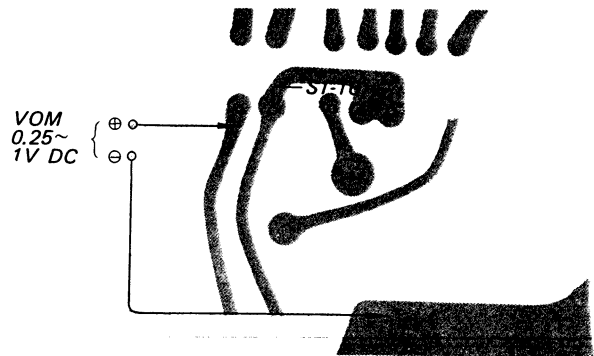
Settings:

BAND SELECTOR switch: FM
 VOLUME control: MAX
 TONE controls: MAX
 AFC switch: OFF

Procedure:



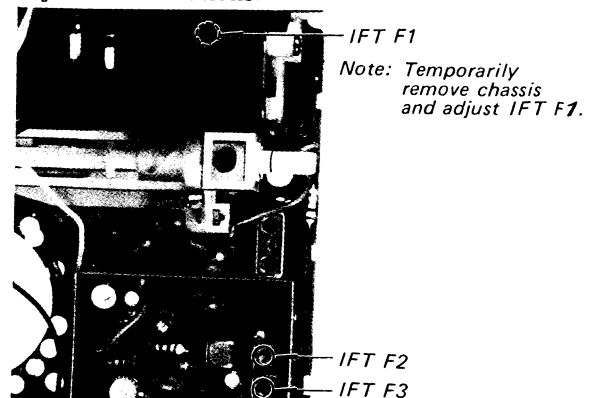
VOM connection for step 4.



Step	Signal frequency	Tuning knob	Adjust	VOM reading
1	Around 10.7 MHz with FM modulation	No station, no beating position	Rf signal generator frequency	maximum
2	-ditto-	-ditto-	IFT F 1~3	maximum
3	Repeat steps 1 and 2 two or three times.			
4	Turn modulation off. Increase output a little.	-ditto-	IFT F3	"OV DC"

Note: Repeat above steps two or three times until desired result is obtained.

Adjustment Locations:

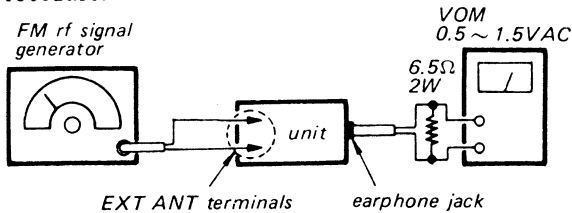


FM Frequency Coverage and Tracking Adjustments

Settings:

BAND SELECTOR switch: FM
 VOLUME control: MAX
 TONE controls: MAX
 AFC switch: OFF

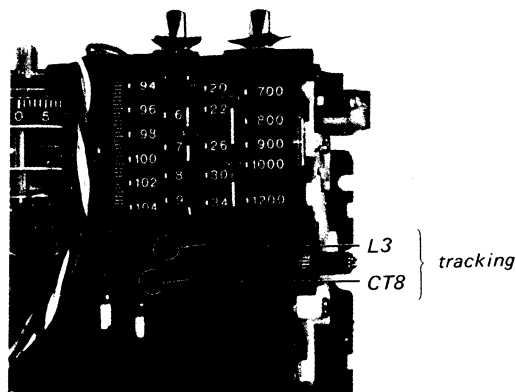
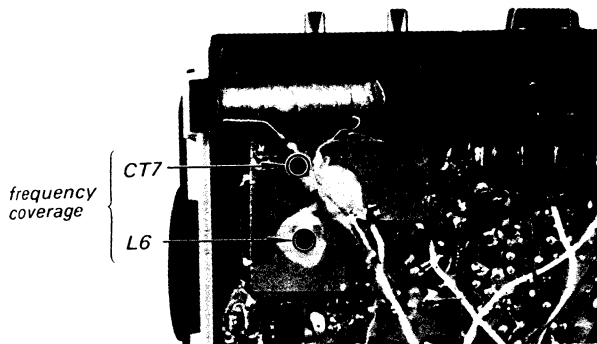
Procedure:



Adjustment	Step	Signal frequency	Tuning knob	Adjust	VOM reading
Frequency Coverage	1	86.5 MHz	fully counterclockwise	L6	maximum
	2	109.5 MHz	fully clockwise	CT7	maximum
Tracking	1	86.5 MHz	tune in 86.5 MHz	L3	maximum
	2	109.5 MHz	tune in 109.5 MHz	CT8	maximum

Note: Repeat above steps two or three times until desired result is obtained ending with step 2. Fix L6 and L3 with wax. In West Germany, the frequency coverage is from 87.5 MHz to 108 MHz.

Adjustment Locations:

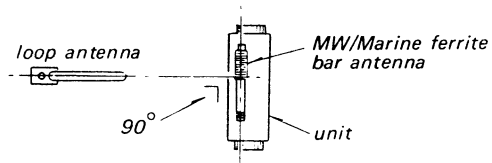
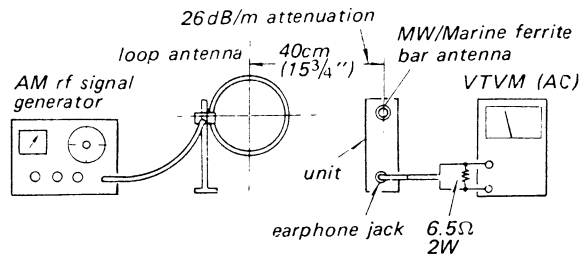


MW/Marine Maximum Sensitivity Measurement

Settings:

BAND SELECTOR switch: MW or Marine
 VOLUME control: MAX
 TONE controls: MAX
 LOUDNESS switch: OFF

Procedure:



Note: Distance between center of loop antenna and center axis of MW/Marine ferrite bar antenna and attenuation are dependent upon loop antenna used. In this case the attenuation is 26 dB/m at 40 cm.

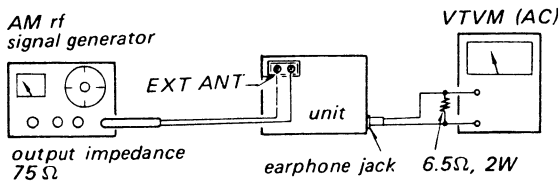
1. Set AM rf signal generator frequency to 1,000 kHz (MW) or 3 MHz (Marine), modulation to 400Hz, 30%.
2. Turn TUNING knob of the unit and tune in 1,000 kHz (MW) or 3 MHz (Marine) signal to obtain maximum VTVM reading.
3. Vary AM rf signal generator attenuator to obtain 0.57V (50mW output) on the VTVM. Note VTVM reading in dB.
4. Turn modulation off and note VTVM reading in dB.
5. The difference of VTVM readings obtained in steps 3 and 4 is the signal-to-noise ratio at this condition.
6. Adjust AM rf signal generator attenuator until 6 dB signal-to-noise ratio is obtained keeping 0.57V (50mW output) varying VOLUME control. If the unit is not operating normally, 50 mW output may not be obtained at 6 dB signal-to-noise ratio.
7. Read the amount of signal generator attenuator and determine maximum sensitivity by subtracting 26 dB from the attenuator reading.
8. MW maximum sensitivity is 31.6μV/m (3 dB/m), Marine 4μV/m (2 dB/m).

SW Maximum Sensitivity Measurement

Settings:

BAND SELECTOR switch: SW
 VOLUME control: MAX
 TONE controls: MAX
 LOUDNESS switch: OFF

Procedure:



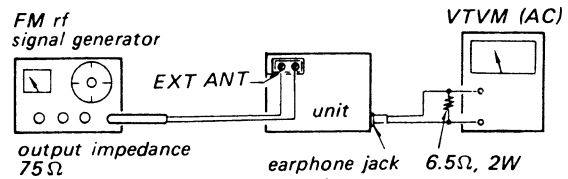
1. Set AM rf signal generator frequency to 8 MHz, modulation to 400 Hz, 30%.
2. Turn TUNING knob of the unit and tune in 8 MHz signal to obtain maximum VTVM reading.
3. Vary AM rf signal generator attenuator to obtain 0.57V (50mW output) on the VTVM. Note VTVM reading in dB.
4. Turn modulation off and note VTVM reading in dB.
5. The difference of VTVM readings obtained in steps 3 and 4 is the signal-to-noise ratio at this condition.
6. When the signal-to-noise ratio is more than 6 dB, the amount of AM rf signal generator attenuator is the maximum sensitivity. If the unit is operating normally, this is not the case.
7. When the signal-to-noise ratio is less than 6 dB (the unit is operating normally), increase AM rf signal generator attenuator until 6 dB signal-to-noise ratio is obtained keeping 0.57V (50mW output) varying VOLUME control.
8. Read the amount of signal generator attenuator and determine maximum sensitivity.
9. SW maximum sensitivity is $1.4\mu\text{V}$ (3 dB).

FM Maximum Sensitivity Measurement

Settings:

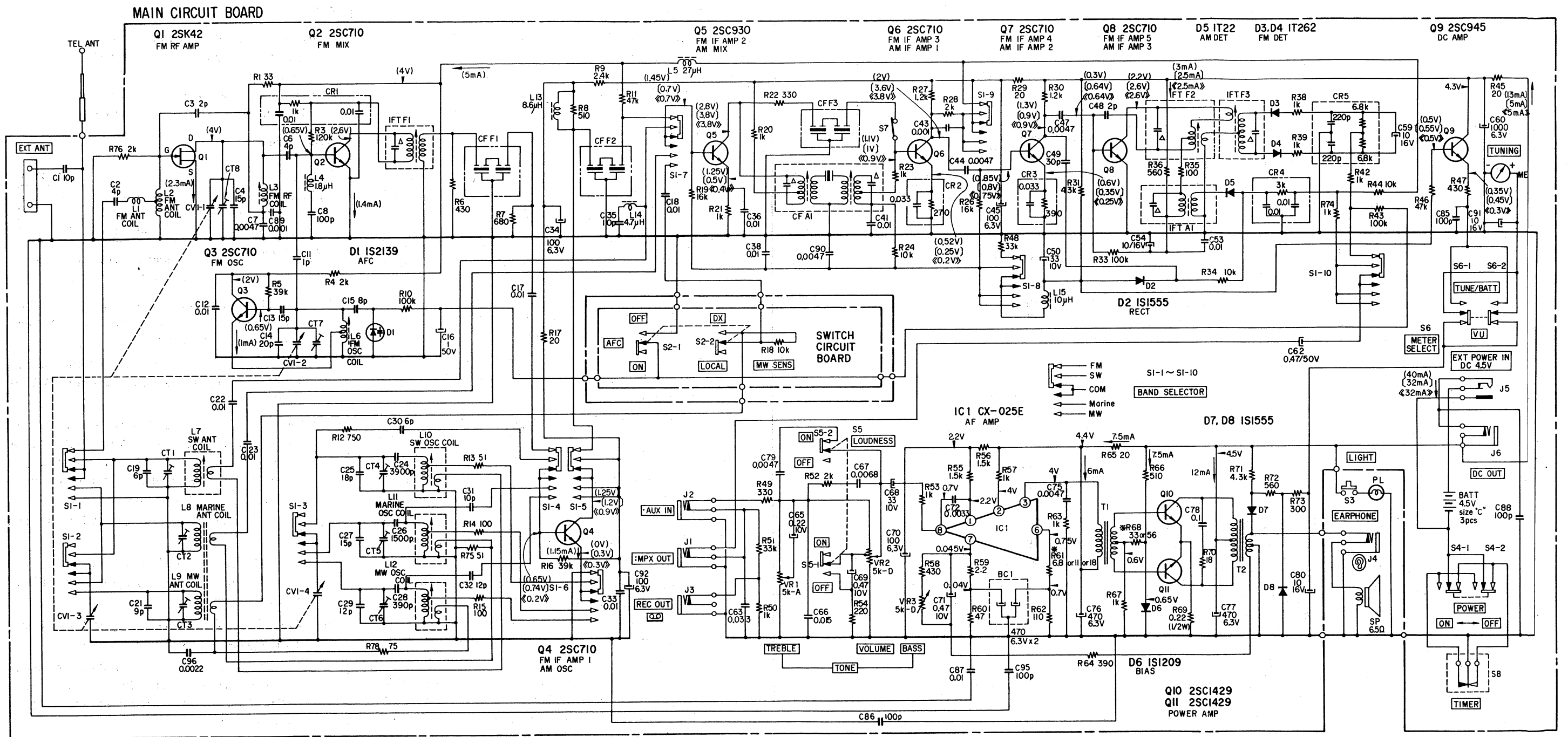
BAND SELECTOR switch: FM
 VOLUME control: MAX
 TONE controls: MAX
 LOUDNESS switch: OFF
 AFC switch: OFF

Procedure:



1. Set FM rf signal generator frequency to 98MHz, modulation to 400Hz, 22.5kHz deviation, attenuator to about 3 dB.
2. Turn TUNING knob of the unit and tune in 98 MHz signal to obtain maximum VTVM reading.
3. Vary VOLUME control until 0.57V (50mW output) is obtained on VTVM. Note VTVM reading in dB. If 0.57V is not obtained, increase FM rf signal generator attenuator to obtain 0.57V VTVM reading.
4. Turn modulation off and note VTVM reading in dB.
5. The difference of VTVM readings obtained in steps 3 and 4 is the signal-to-noise ratio at this condition.
6. Adjust FM rf signal generator attenuator until 6 dB signal-to-noise ratio is obtained.
7. Repeat adjustment turning modulation on and off and varying VOLUME control keeping 0.57V (50mW output) until desired 6 dB signal-to-noise ratio is obtained.
8. Read the amount of signal generator attenuator. This is the maximum sensitivity.
9. FM maximum sensitivity is $1.4\mu\text{V}$ (3 dB).

6. SCHEMATIC DIAGRAM
(UK Model)



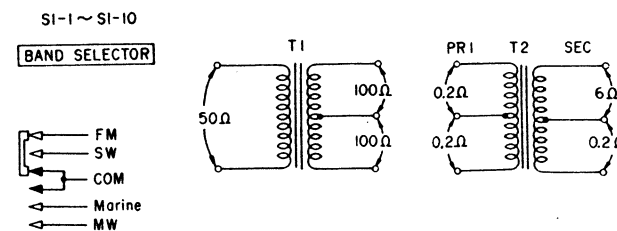
Note: 1. All fixed resistors, are in Ω , $\pm 5\%$, $1/4W$ carbon film type. $k = 1,000$
 2. All fixed capacitors are in μF unless otherwise specified. $p = \mu\mu$
 3. All voltage and current readings are taken with a $20k\Omega/V$ DC VOM with no signal received. Variations may be noted due to normal production tolerances.
 () : FM no mark: common
 [] : SW
 < > : MW

4. Capacitors marked Δ are built in i-f transformers and ceramic filter.
 5. R61 and R68 marked * are to be selected to yield specified operating condition. R61 is selected to obtain 0.75V at pin 6 of IC1, R68 is selected to obtain 0.6V at the center tap of T1.

6. Switch mode:

Ref. No.	Switch	Mode
S1	BAND SELECTOR	FM
S2	AFC/MW SENS	AFC ON
S3	TIMER	OFF
S4	POWER	OFF
S5	LOUDNESS	ON
S6	METER SELECT	VU
S7	FM selector	ON

7. DC resistance

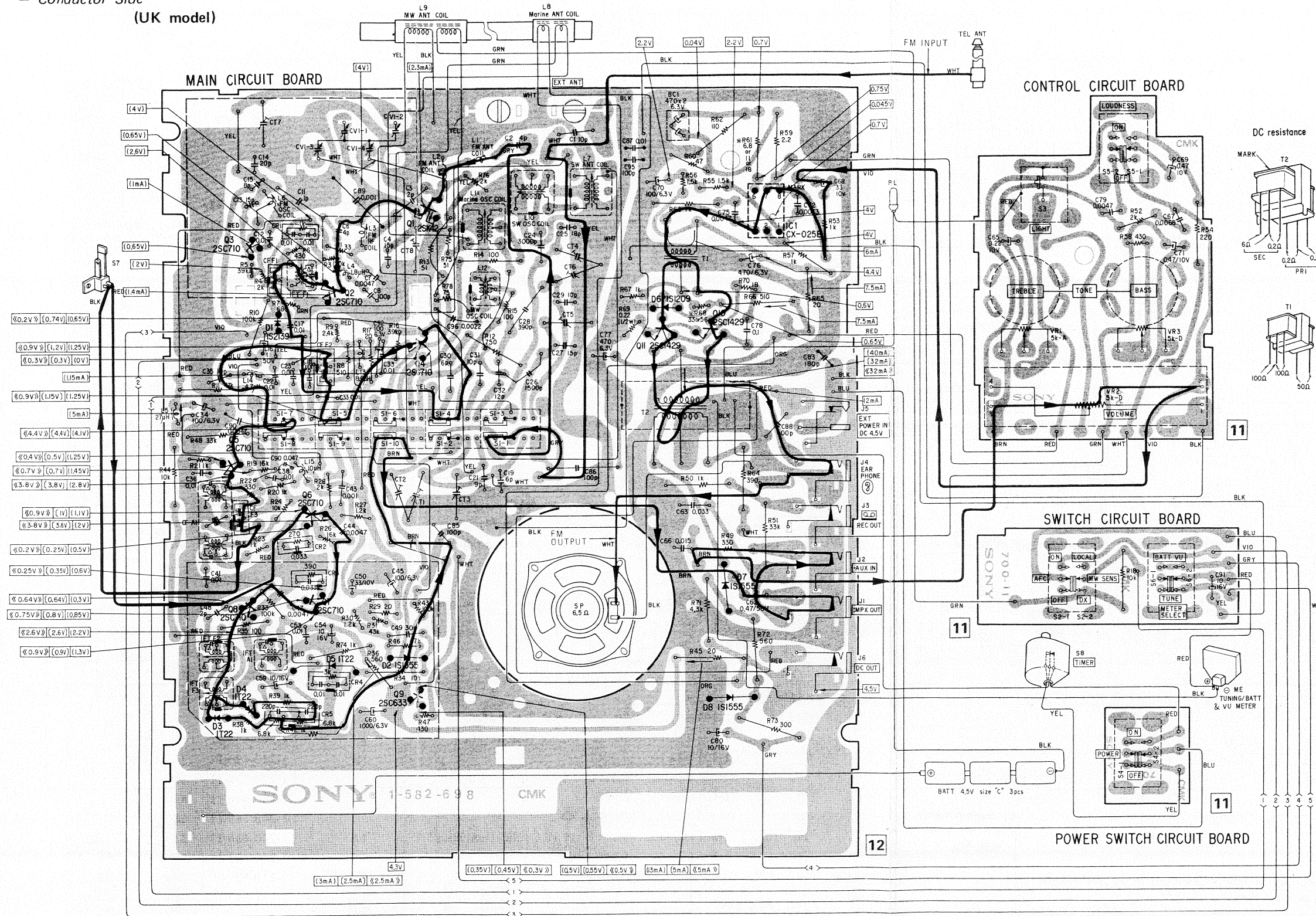


AEP model

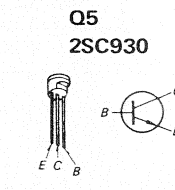
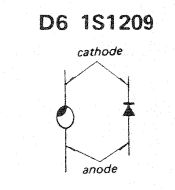
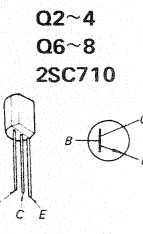
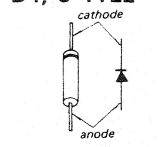
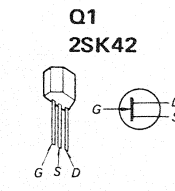
Ref. No.	Value
C2	12 p
C3	4 p
C29	10 p
C30	8 p
C38	0.0047
C50	10 16 V
R11	39 k
R12	1 k
R13	100
R24	16 k
R28	620
R30	1.5 k
R34	6.2 k
R46	43 k
R48	27 k

7. MOUNTING DIAGRAM

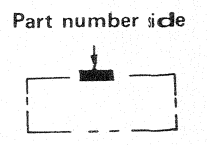
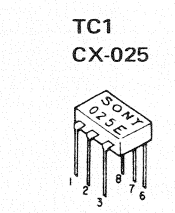
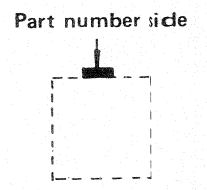
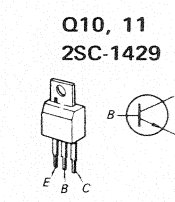
— Conductor Side —
(UK model)



- D1 1S2139
- D2, 7, 8 1S1555
- D3 1T262
- D4, 5 1T22



Positioning of shielded coils, CF A1, ceramic filters and encapsulated components



0, IC	Q5	Q3	Q6	Q2	Q4	Q1	Q11	Q10	IC1
0	Q8	D1	Q7	Q5	Q2	Q9	D6	D8	D7
	D3	CT7	L6	IFTF1	L3	CT8	L12	L10	L7
ADJ	CF A1	IFTF2	IFTF3	IFTF1	CT2	CT1	CT3	CT4	CT5

AEP model

Ref. No.	Values
C2	12p
C3	4p
C29	10p
C30	8p
C38	0.0047
C50	10 16V
R11	39k
R12	1k
R13	100
R24	16k
R28	620
R30	1.5k
R34	6.2k
R46	43k
R48	27k

- Note: 1. : FM signal path.
 2. : B+ pattern
 3. Voltages and currents:
 () : FM with no signal.
 [] : SW "
 < > : MW "
 no mark : common

8. ELECTRICAL PARTS LIST

<u>Ref. No.</u>	<u>Part No.</u>	<u>Description</u>	<u>Ref. No.</u>	<u>Part No.</u>	<u>Description</u>
COMPLETE CIRCUIT BOARDS			L7	1-401-565-00	coil, SW ant
X-38479-23-0		control	L8)	1-401-564-00	coil, Marine/MW ferrite bar ant
X-38479-24-0		AFC/MW SENS and METER SELECT switch	L9)		
X-38479-25-0		POWER switch	L10	1-405-622-00	coil, SW osc
X-38479-26-0		main	L11	1-405-621-00	coil, Marine osc
SEMICONDUCTORS			L12	1-405-520-00	coil, MW osc
Q1		transistor 2SK42	L13	1-407-189-00	microinductor, 8.6 μ H
Q2		transistor 2SC710	L14	1-407-186-00	microinductor, 4.7 μ H
Q3		transistor 2SC710	L15	1-407-190-00	microinductor, 10 μ H
Q4		transistor 2SC710	T1	1-423-159-00	transformer, driver
Q5		transistor 2SC930	T2	1-427-331-00	transformer, output
Q6		transistor 2SC710	CAPACITORS		
Q7		transistor 2SC710	All capacitors are in μ F and ceramic type unless otherwise specified. p = $\mu\mu$		
Q8		transistor 2SC710	BC1	1-123-042-11	470 6.3V electrolytic (2-unit)
Q9		transistor 2SC945	C1	1-102-947-11	10p
Q10		transistor 2SC1429	C2	1-102-941-11	4 p (UK model)
Q11		transistor 2SC1429	C3		
IC1		integrated circuit CX-025E	C3	1-102-939-11	2 p (UK model)
D1		diode 1S2139	C4		
D2		diode 1S1555	C5	1-102-951-11	15p
D3		diode 1T262	C6	-----	
D4		diode 1T262	C7	1-102-941-11	4p
D5		diode 1T22	C8	1-101-922-11	0.0047
D6		diode 1S1209	C9	1-102-973-11	100p
D7		diode 1S1555	C10	-----	
D8		diode 1S1555	C11	-----	
COILS AND TRANSFORMERS			C11	1-102-938-11	1 p
IFT A1	1-403-137-00	transformer, AM i-f	C12	1-105-833-12	0.01 mylar
IFT F1	1-403-242-31	transformer, FM i-f	C13	1-102-951-11	15 p
IFT F2	1-403-272-31	transformer, FM i-f	C14	1-102-958-11	20p
IFT F3	1-403-273-31	transformer, FM i-f	C15	1-102-945-11	8p
L1	1-401-527-00	coil, FM ant	C16	1-121-391-11	1 50V electrolytic
L2	1-401-526-00	coil, FM ant	C17	1-105-833-12	0.01 mylar
L3	1-425-739-00	coil, FM rf	C18	1-105-833-12	0.01 mylar
L4	1-407-181-00	microinductor; 1.8 μ H	C19	1-102-943-11	6p
L5	1-407-162-00	microinductor; 27 μ H	C20	-----	
L6	1-405-568-00	coil, FM osc	C21	1-102-946-11	9p
			C22	1-105-833-12	0.01 mylar
			C23	1-105-833-12	0.01 mylar
			C24	1-103-739-11	3,900p styrol
			C25	1-102-957-11	18p
			C26	1-103-729-11	1,500p styrol
			C27	1-102-951-11	15p
			C28	1-103-715-11	390p styrol

ICF-5500M

<u>Ref. No.</u>	<u>Part No.</u>	<u>Description</u>
C29	1-102-949-11	12 p (UK model)
	1-102-947-11	10 p (AEP model)
C30	1-102-943-11	6 p (UK model)
	1-102-945-11	8 p (AEP model)
C31	1-102-947-11	10p
C32	1-102-949-11	12p
C33	1-105-833-12	0.01 mylar
C34	1-121-413-11	100 6.3V electrolytic
C35	1-102-947-11	10p
C36	1-105-833-12	0.01 mylar
C37		-----
C38	1-101-923-11	0.01 (UK model)
	1-101-922-11	0.0047 (AEP model)
C39		-----
C40		-----
C41	1-101-923-11	0.01
C42		-----
C43	1-101-918-11	0.001
C44	1-101-922-11	0.0047
C45	1-121-413-11	100 6.3V electrolytic
C46		-----
C47	1-101-922-11	0.0047
C48	1-102-939-11	2p
C49	1-102-962-11	30p
C50	1-121-402-11	33 10V electrolytic (UK model)
	1-121-651-11	10 16V electrolytic (AEP model)
C51		-----
C52		-----
C53	1-101-923-11	0.01
C54	1-121-651-11	10 16V electrolytic
C55		-----
C56		-----
C57		-----
C58		-----
C59	1-121-651-11	10 16V electrolytic
C60	1-121-736-11	1000 6.3V electrolytic
C61	1-101-922-11	0.0047
C62	1-121-726-11	0.47 50V electrolytic
C63	1-105-839-12	0.033 mylar
C64		-----
C65	1-127-020-11	0.22 10V solid aluminum
C66	1-105-835-12	0.015 mylar
C67	1-105-831-12	0.0068 mylar
C68	1-121-402-11	33 10V electrolytic
C69	1-127-022-11	0.47 10V solid aluminum
C70	1-121-413-11	100 6.3V electrolytic
C71	1-127-022-11	0.47 10V solid aluminum
C72	1-105-827-12	0.0033 mylar
C73		-----
C74		-----

<u>Ref. No.</u>	<u>Part No.</u>	<u>Description</u>
C75	1-105-829-12	0.0047 mylar
C76	1-121-424-11	470 6.3V electrolytic
C77	1-121-424-11	470 6.3V electrolytic
C78	1-105-845-12	0.1 mylar
C79	1-105-829-12	0.0047 mylar
C80	1-121-651-11	10 16V electrolytic
C81		-----
C82		-----
C83		-----
C84		-----
C85	1-102-973-11	100p
C86	1-102-973-11	100p
C87	1-101-923-11	0.01
C88	1-102-973-11	100p
C89	1-101-918-11	0.001
C90	1-101-922-11	0.0047
C91	1-121-651-11	10 16V electrolytic
C92	1-121-413-11	100 6.3V electrolytic
C93,94		-----
C95	1-102-973-11	100p
C96	1-101-919-11	0.0022 (UK model only)
CT1, 2	1-141-144-00	capacitor, trimmer; 2-unit
CT3	1-141-097-00	capacitor, trimmer
CT4, 6	1-141-144-00	capacitor, trimmer; 2-unit
CT5	1-141-097-00	capacitor, trimmer
CT7	1-141-140-00	capacitor, trimmer
CT8	1-141-140-00	capacitor, trimmer
CV1	1-151-196-00	capacitor, tuning

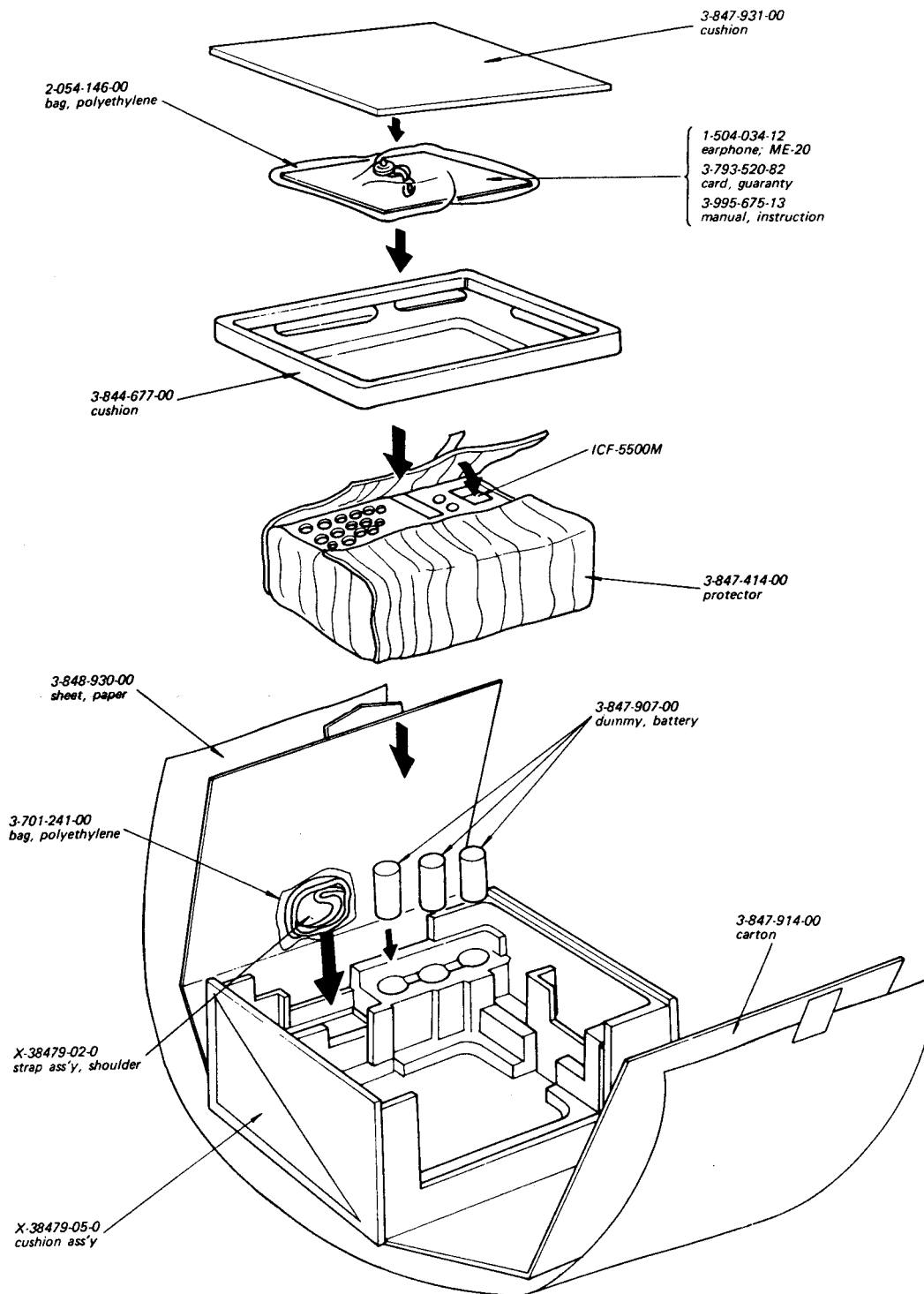
RESISTORS

All fixed resistors are in Ω , $\frac{1}{4}W$ and $\pm 5\%$ carbon film type unless otherwise specified. $k = 1000$

R1	1-240-437-11	33
R2		-----
R3	1-240-523-11	120k
R4	1-240-480-11	2k
R5	1-240-511-11	39k
R6	1-240-464-11	430
R7	1-240-469-11	680
R8	1-240-466-11	510
R9	1-240-482-11	2.4k
R10	1-240-521-11	100k
R11	1-224-713-11	47k (UK model)
	1-224-711-11	39k (AEP model)
R12	1-240-470-11	750 (UK model)
	1-240-473-11	1k (AEP model)
R13	1-240-442-11	51 (UK model)
	1-240-449-11	100 (AEP model)
R14	1-240-449-11	100

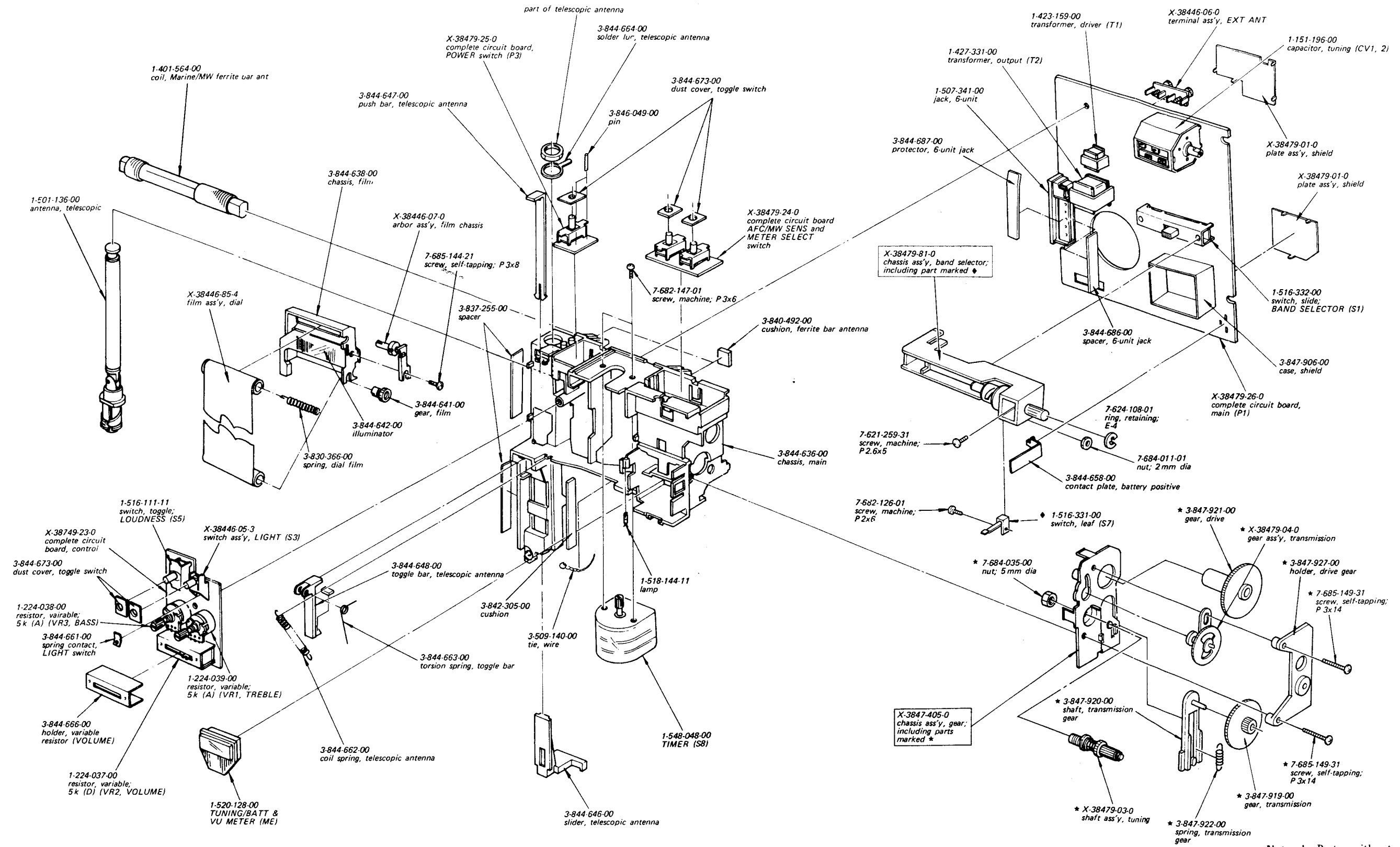
ICF-5500M

9. PACKING



Note: 1. Parts without part numbers and names are not available.

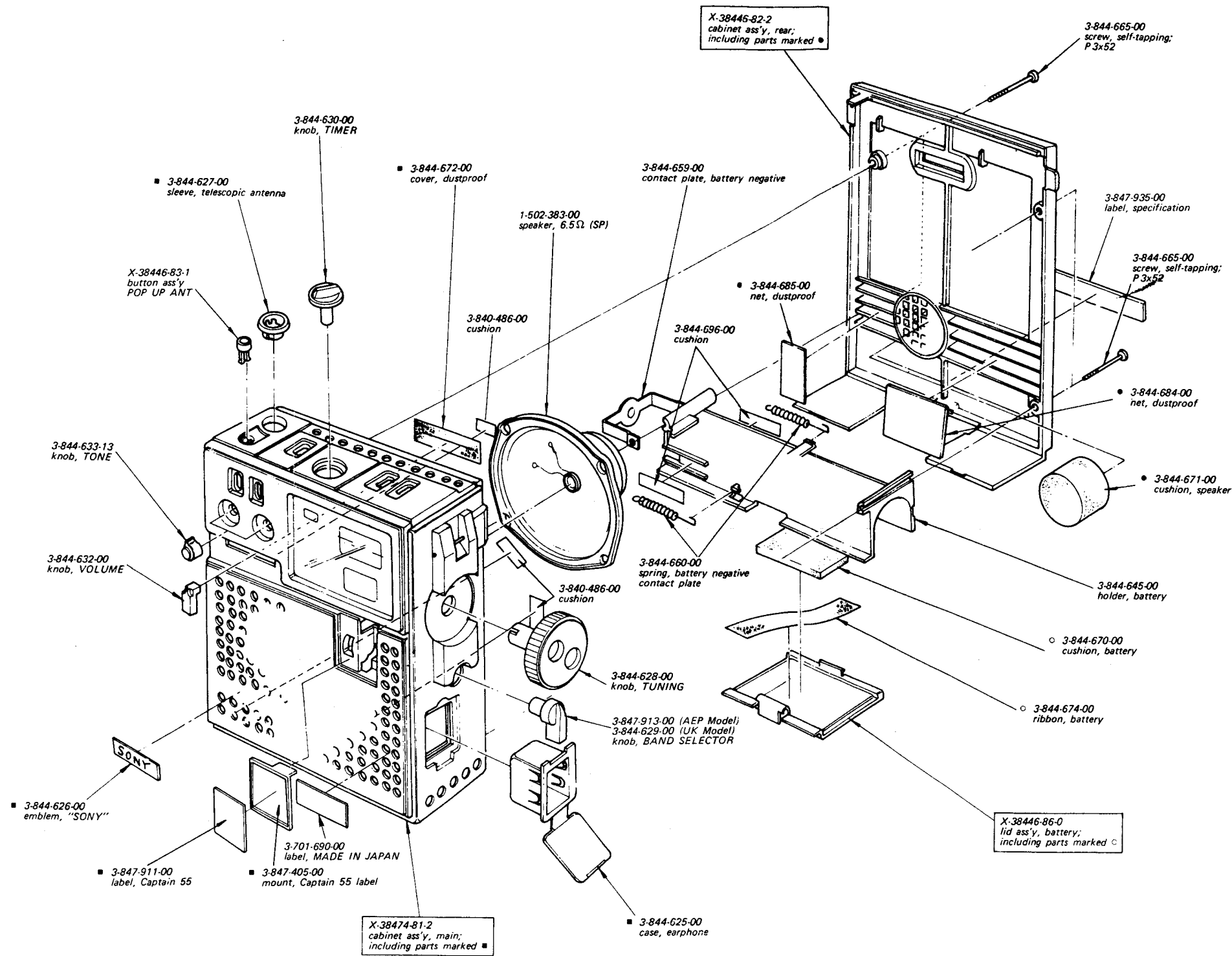
10. EXPLODED VIEW (1)



Note: 1. Parts without part numbers and names are not available.
 2. All screws are Phillips type (cross recess type) unless otherwise indicated.
 (-): slotted head

ICF-5500M ICF-5500M

11. EXPLODED VIEW (2)



Note: 1. Parts without part numbers and names are not available.
 2. All screws are Phillips type (cross recess type) unless otherwise indicated.
 (-): slotted head

Sony Corporation

© 1974

— 24 —