

**KWM-380 TRANSCEIVER (622-5093-001, -101)
HF-380 TRANSCEIVER (622-3580-001, -101)**

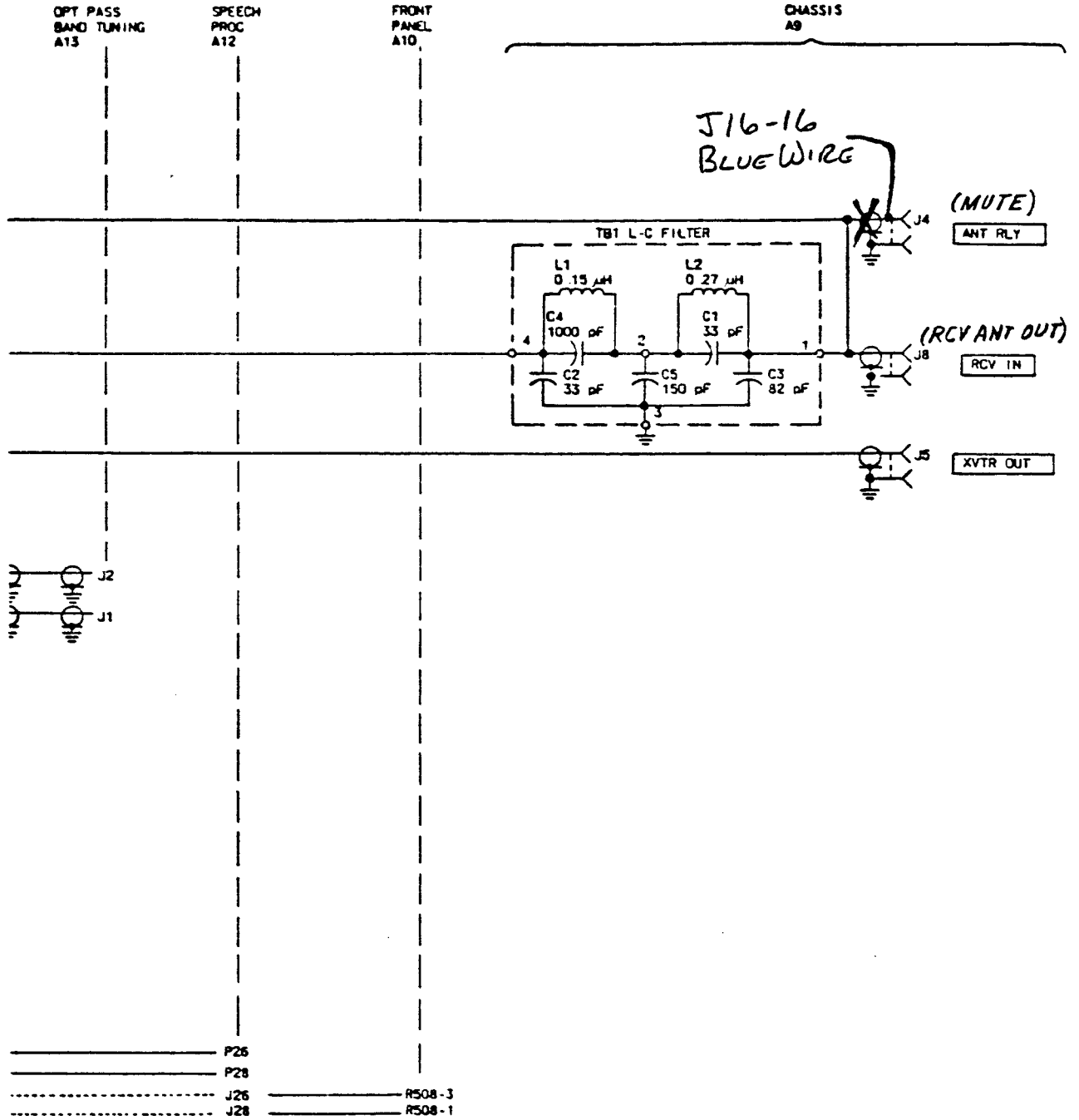
SERVICE INFORMATION LETTER 1-81

PROVIDE MUTE FUNCTION FOR EXTERNAL RECEIVER

The purpose of this service information letter is to describe a method for providing a mute function for an external receiver such as the Collins 75S-3C. Refer to the attached illustrations and perform the following:

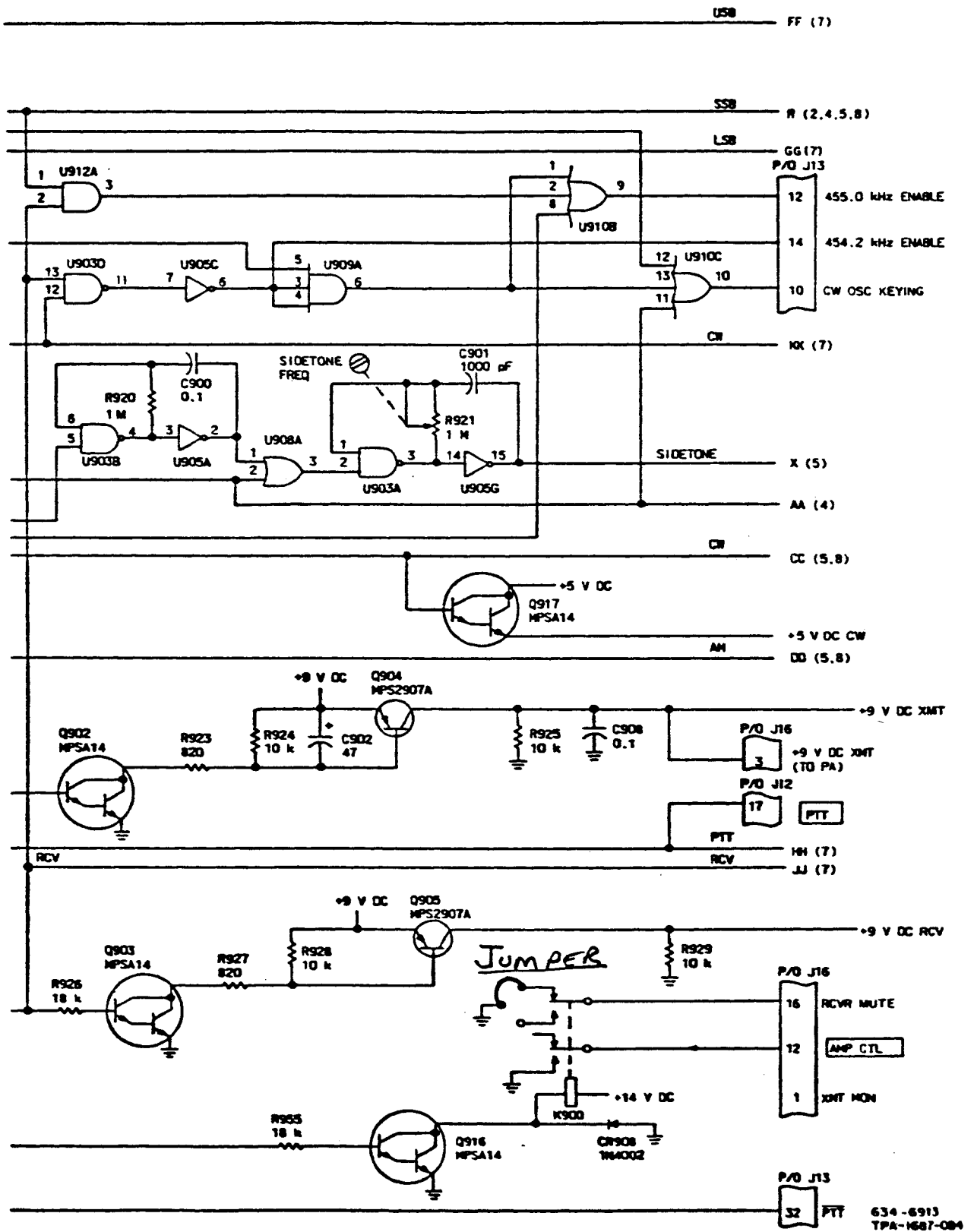
1. Remove the jumper between J4 and J8 on the rear of the chassis.
2. Remove the coax from J4 and connect it to J8. J4 should now be empty and J8 should have two coax cables attached to it.
3. Connect the blue wire from the ribbon cable (coming from J16-16 on the receiver-exciter board) to J4. The blue wire will be found in the rear of the radio near J4 and J8.
4. Place a small jumper between the indicated pad and ground on receiver-exciter circuit board A3 (near K900).
5. Connect the 75S-3C antenna jack to KWM-380 RCV IN jack (J8). Connect the 75S-3C mute jack to the KWM-380 ANT RLY jack (J4).

Connector J8 will now provide a receive antenna output to the external receiver in parallel with the KWM-380/HF-380 receiver. Connector J4 will now provide the mute function for the external receiver by providing a ground during receive and an open during transmit.

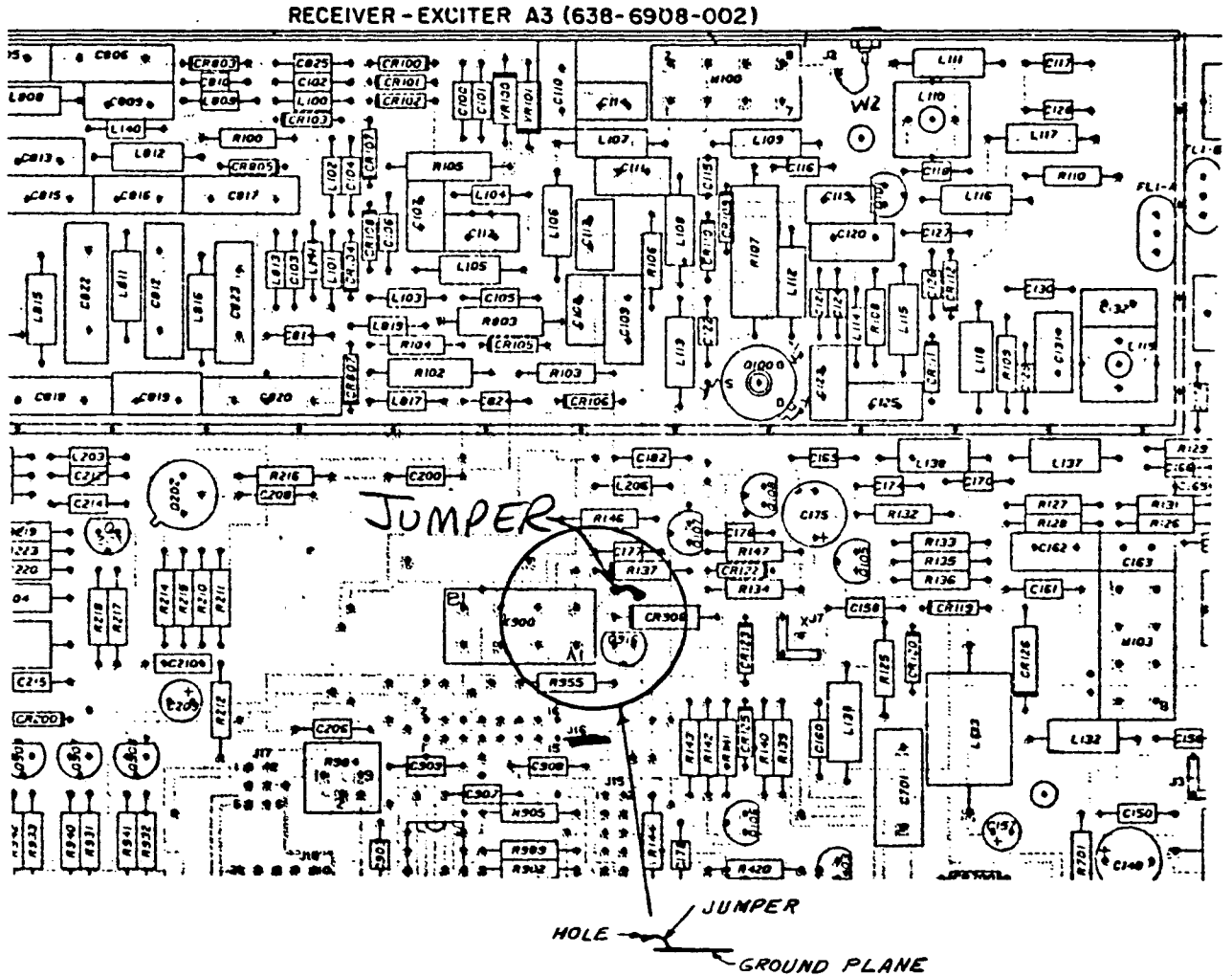


TPA-2232-055

KWM-380 Interconnect Diagram
Figure 1



Receiver-Exciter A3, Schematic Diagram
Figure 2



Receiver-Exciter A3 (638-6908-002)
Figure 3