

section 6

parts list

6.1 INTRODUCTION

6.1.1 General

The purpose of this parts list, prepared by Collins Telecommunications Products Division of Rockwell International, is for identification, requisition, and issuance of parts.

Parts listed meet critical equipment design specification requirements. Use only part numbers specified in this parts list for replacement of parts.

6.1.2 Group Assembly Parts List

FIG - ITEM Column — Digits preceding the dash refer to figure numbers. Digits following the dash are item numbers assigned in sequence to correspond with item numbers on the illustrations.

PART NO Column — Listed are MIL standard, vendor, or Collins part numbers. Collins part numbering system consists of 10 digits as follows: a 3-digit family number, a 4-digit serial number, and a 3-digit dash number.

INDENT Column — Items are coded 1, 2, 3, etc, to indicate the relationship to the next higher assembly.

DESCRIPTION Column — Lists the noun name, modifier, descriptive information, federal manufacturer's code, reference designation, attaching part (AP), reference to other figures, and effectivities.

Attaching parts are identified by (AP) following the part or parts they attach.

Change identifiers are denoted in the nomenclature column of the Group Assembly Parts List as a number between two slashes. (Example: /8/). These changes identifiers refer to changes described on the apron of the schematics in this manual.

USABLE ON CODE Column — Part variations within a group of equipment are indicated by a letter code (A, B, C, etc). Absence of a code indicates part applies to all models.

UNITS PER ASSY Column — Quantities specified are per item number. Letters AR denote the selection of parts as required. Letters REF refer to an assembly completely assembled on a preceding figure and illustration.

6.1.3 Numerical Index

PART NUMBER Column — Part numbers are listed in alphanumeric sequence.

FIG - ITEM Column — Digits preceding the dash refer to figure numbers. Digits following the dash are item numbers.

TTL REQ Column — Listed is the total quantity of parts or assemblies covered in the Group Assembly Parts List.

6.1.4 Reference Designation Index

REFERENCE DESIGNATION Column — Reference designations are listed in alphanumeric sequence.

FIG - ITEM Column — Digits preceding the dash refer to figure numbers. Digits following the dash are item numbers.

PART NUMBER Column — Part numbers listed are for items that have reference designations assigned.

6.1.5 How To Use This Parts List

To locate a part number if the assembly in which the part is used is known, turn to the List of Illustrations and find the page number for the assembly in which the part is used. Locate the part and its index number on the illustration and find the index number on the Group Assembly Parts List page to determine its description and part number.

To locate the illustration for a part if the part number is known, refer to the Numerical Index and find the part number. Turn to the Group Assembly Parts List and find the first figure and index number indicated in the Numerical Index for that part. If this figure shows the part in a section or system of the equipment other than the one desired, refer to the other figure numbers listed in the Numerical Index.

To locate the illustration for a part if the reference designation is known, refer to the Reference Designation Index and find the symbol; turn to the Group Assembly Parts List and find the figure and index number indicated in the index.

6.1.6 Manufacturer's Code, Name, and Address.

CODE	MANUFACTURER'S NAME AND ADDRESS	CODE	MANUFACTURER'S NAME AND ADDRESS
A1334	Joyner Corp. Ocoess, MN	04221	Midtex Inc./AEMCO Div 1650 Tower Blvd. North Mankato, MN 56001
00853	Sangamo Electric Co. South Carolina Div. P.O. Box 128 Pickens, SC 29671	04713	Motorola, Inc. Semiconductor Products Group 5005 E. McDowell Rd. Phoenix, AZ 85008
01121	Allen-Bradley Co. 1201 S. 2nd St. Milwaukee, WI 53204	05284	Gasket Engineering Co., Inc. 3123 Wyandotte Kansas City, MO 64111
01881	Anaconda American Brass Co. 414 Meadow Waterbury, CT 06720	06915	Richco Plastic Co. 5825 N. Tripp Ave. Chicago, IL 60646
01939	Sprague Electric Co. North Adams, MA 01247	07263	Fairchild Camera and Instrument Corp. Semiconductor Div. 464 Ellis St. Mountain View, CA 94042
02288	Allied Control Co., Inc. 100 Relay Rd. Plantsville, CT 06479	07716	TRW Electronic Components IRC Fixed Resistors Burlington Div. 2850 Mt. Pleasant Burlington, IA 52601
02660	Bunker-Ramo Corp., The Amphenol Connector Div. 2801 S. 25th Ave. Broadview, IL 60153	08591	Hunt Screw and Mfg. Co. 4117 N. Kilpatrick Chicago, IL 60641
03508	General Electric Co. Semiconductor Products Dept. W. Genesee St. Auburn, NY 13021	08664	Bristol Div. of American Chain and Cable Co., Inc. 40 Bristol St. Waterbury, CT 06720
03562	Bartlett-Emery Instrument Co. 14th St. and Ave. M Fort Madison, IA 52627	09250	Electro Assemblies, Inc. 4338 W. Montrose Ave. Chicago, IL 60641
03877	Transitron Electronic Corp. 168 Albion St. Wakefield, MA 01880	09922	Burndy Corp. Richards Ave. Norwalk, CT 06852
04009	Arrow-Hart, Inc. 103 Hawthorne St. Hartford, CT 06106	12014	Chicago Rivet and Machine Co. 950 S. 25th Ave. Bellwood, IL 60104

CODE	MANUFACTURER'S NAME AND ADDRESS	CODE	MANUFACTURER'S NAME AND ADDRESS
14140	Edison Electronics Div. McGraw Edison Co. Grenier Field-Municipal Airport Manchester, NH 03130	45722	U.S.M. Corp. Parker-Kalon Fastener Div. 1 Peekay Dr. Clifton, NJ 07014
16352	Computer Diode Corp. Pollitt Dr. S. Fair Lawn, NJ 07410	49671	RCA Corp. 30 Rockefeller Plaza New York, NY 10020
18986	Jetron, Inc. 4310 N. Kedzie Ave. Chicago, IL 60618	56289	Sprague Electric Co. North Adams, MA 01247
21052	High Energy Corp. Lower Valley Rd. Parkesburg, PA 19305	59730	Thomas and Belts Co., The 36 Butler St. Elizabeth, NJ 07207
21242	American Electronic Components Corp. 7516 Camargo Rd. Cincinnati, OH 45243	70309	Allied Control Co., Inc. 2 East End Ave. New York, NY 10021
24226	Gowanda Electronics Corp. 179 Broadway Rd. Gowanda, NJ 14070	70318	Allmetal Screw Products Co., Inc. 821 Stewart Ave. Garden City, NY 11530
27545	Hartford-Universal Co. 1022 Elm St. Rocky Hill, CT 06067	70417	Chrysler Corp. Amplex Div. 6501 Harper Ave. Detroit, MI 48211
32897	Erie Technological Products, Inc. Erie Frequency Control Div. 453 Lincoln St. Carlisle, PA 17013	70601	Anti-Corrosive Metal Products Co., Inc. P.O. Box 1894 Albany, NY 12201
37942	Mallory, P.R. and Co., Inc. 3029 E. Washington St. Indianapolis, IN 46206	71034	Bliley Electric Co. 2545 W. Grandview Blvd. Erie, PA 16512
42498	National Radio Co., Inc. 78 Stone Place Melrose, MA 02176	71313	Cardwell Condenser Corp. 80 E. Montauk Hwy. Lindhurst, NY 11757
43334	New Departure-Hyatt Bearings Div. General Motors Corp. Hayes Ave. Sandusky, OH 44870	71450	CTS Corp. 1142 W. Beardsley Ave. Elkhart, IN 46514
43991	Norma Fag Bearings, Corp. Hamilton Ave. Stamford, CT 06904	71482	Clare, C.P., and Co. 3101 Pratt Blvd. Chicago, IL 60645

section 6
parts list

CODE	MANUFACTURER'S NAME AND ADDRESS	CODE	MANUFACTURER'S NAME AND ADDRESS
71590	Centralab Electronics Div. of Globe-Union, Inc. 5757 N. Green Bay Ave. Milwaukee, WI 53201	76854	Oak Industries, Inc. Switch Div. S. Main St. Crystal Lake, IL 60014
71785	TRW Cinch Connectors 1501 Morse Ave. Elk Grove Village, IL 60007	77147	Patton-MacGuyer Co. Div. of Avid Corp. 17 Virginia Ave. Providence, RI 02905
72136	Electro Motive Corp. Subsidiary of International Electronics Corp. P.O. Box 7600 Lauter Ave. Florence, SC 29501	77250	Pheoll Mfg. Co. Div. of Allied Products Corp. 5700 W. Roosevelt Rd. Chicago, IL 60650
72512	Davies, Harry, Molding Co. 4920 W. Bloomingdale Ave. Chicago, IL 60639	77342	AMF, Inc. Potter and Brumfield Div. 1200 E. Broadway Princeton, IN 47570
72765	Drake Mfg. Co. 4626 N. Olcott Ave. Harwood Heights, IL 60656	78189	Illinois Tool Works, Inc. Shakeproof Div. St. Charles Rd. Elgin, IL 60120
72962	ESNA Div. of Amerace Corp. 2330 Vauxhall Rd. Union, NJ 07083	78488	Stackpole Carbon Co. St. Marys, PA 15857
72982	Erie Technological Products, Inc. 644 N. 12th St. Erie, PA 16512	78553	Tinnerman Products, Inc. 8700 Brookpark Rd. Cleveland, OH 44129
73386	Freed Transformer Co., Inc. 1736 Weirfield St. Brooklyn, NY 11227	79136	Waldes Kohinoor, Inc. 47-16 Austel Place Long Island City, NY 11101
75543	Lavelle Industries, Inc. 424 N. Wood Chicago, IL 60622	79807	Wrought Washer Mfg. Co. 2100 S. Bay St. Milwaukee, WI 53207
75618	Southco, Inc. Lester, PA 19113	80486	All Star Products, Inc. P.O. Box 487 Defiance, OH 43512
76487	Millen, James, Mfg. Co., Inc. 150 Exchange St. Malden, MA 02148	81348	Federal Specifications
76665	National Lock Washer Div. Charter Wire Co. Somerville, NJ 08876	81349	Military Specifications
		81350	Joint Army-Navy Specifications

CODE	MANUFACTURER'S NAME AND ADDRESS	CODE	MANUFACTURER'S NAME AND ADDRESS
81815	Communication Coil Co. 2839 N. Narragansett Ave. Chicago, IL 60634	93958	Republic Electronic Corp. 176 E. 7th St. Paterson, NJ 07524
82104	Standard Grigsby Co. 920 Rathbone Ave. Aurora, IL 60507	93983	Entron, Inc. Bay State Electronics Div. 70-31 84th St. Glendale, NY 11227
82142	Airco Speer Electronics Div. of Air Reduction Co., Inc. Grand Plaza 945 Grand Ave. Nogales, AZ 85621	94084	Handy and Harmon 1900 Estes Elk Grove Village, IL 60007
82219	Sylvania Electric Products, Inc. Electronic Tube Div. Receiving Tube Operations Emporium, PA 15834	94148	TRW, Inc. Semiconductor Div. 14520 Aviation Blvd. Lawndale, CA 90260
82389	Switchcraft, Inc. 5555 N. Elston Ave. Chicago, IL 60630	94154	Wagner Electric Corp. Tung Sol Div. Livingston, NJ 07039
82893	Vector Electronics Co. Glendale, CA 91200	94222	Southco, Inc. Lester, PA 19113
86684	RCA Corp. Electronic Components 415 S. 5th St. Harrison, NJ 07029	94452	Berkley and Co. Hwy. 9 and 71 Spirit Lake, IA 51360
87487	Anillo Industries, Inc. 2090 N. Glassell Orange, CA 92667	96256	Thordarson-Meissner, Inc. Electronic Center Mt. Carmel, IL 62863
91663	Armel Electronics, Inc. 1601 75th St. North Bergen, NJ 07047	96906	Military Standards
92825	Whitso, Inc. 9330 Byron St. Schiller Park, IL 60176		
93332	Sylvania Electric Products, Inc. Semiconductor Products Div. 100 Sylvan Rd. Woburn, MA 01801		

6.1.7 Usable on Codes

The following usage codes have been assigned in this manual:

<u>USABLE ON CODES</u>	<u>UNIT PART NUMBER</u>	<u>FIG-ITEM</u>
A	522-1611-000	6-1-
B	522-1792-000	6-1-

6.1.8 Configuration Identifiers

The following CI's/REV LTRS were used in compiling data for this manual:

<u>CI/REV LTR</u>	<u>UNIT PART NUMBER</u>	<u>FIG-ITEM</u>
72353	522-1611-001	6-1-
P	522-1792-000	6-1-

<u>CI/REV LTRS</u>	<u>UNIT PART NUMBER</u>	<u>FIG-ITEM</u>
DB	544-9697-000	6-2-
DU	545-9114-000	6-2-
AR	522-1093-000	6-3-

**6.1.9 General Coverage Crystals Available
(Optional)**

<u>CRYSTAL FREQUENCY FOR (kHz)</u>	<u>OPERATING FREQUENCY (MHz)</u>	<u>PART NUMBER</u>
* 6555.000	3.4 - 3.6	290-9009-00
* 6755.000	3.6 - 3.8	290-9010-00
* 6955.000	3.8 - 4.0	290-9011-00
7155.000	4.0 - 4.2	290-9012-00
7355.000	4.2 - 4.4	290-9013-00
7555.000	4.4 - 4.6	290-9014-00
7755.000	4.6 - 4.8	290-9015-00
7955.000	4.8 - 5.0	290-9016-00
9755.000	6.6 - 6.8	290-9025-00
9955.000	6.8 - 7.0	290-9026-00
*10155.000	7.0 - 7.2	290-9027-00
*10355.000	7.2 - 7.4	290-9028-00
10555.000	7.4 - 7.6	290-9029-00
10755.000	7.6 - 7.8	290-9030-00
10955.000	7.8 - 8.0	290-9031-00
11155.000	8.0 - 8.2	290-9032-00
11355.000	8.2 - 8.4	290-9033-00
11555.000	8.4 - 8.6	290-9034-00
11755.000	8.6 - 8.8	290-9035-00
11955.000	8.8 - 9.0	290-9036-00
12155.000	9.0 - 9.2	290-9037-00
12355.000	9.2 - 9.4	290-9038-00
12555.000	9.4 - 9.6	290-9039-00
12755.000	9.6 - 9.8	290-9040-00
12955.000	9.8 - 10.0	290-9041-00

CRYSTAL FREQUENCY (kHz)	FOR	OPERATING FREQUENCY (MHz)	PART NUMBER
13155.000		10.0 - 10.2	290-9042-00
13355.000		10.2 - 10.4	290-9043-00
13555.000		10.4 - 10.6	290-9044-00
13755.000		10.6 - 10.8	290-9045-00
13955.000		10.8 - 11.0	290-9046-00
14155.000		11.0 - 11.2	290-9047-00
14355.000		11.2 - 11.4	290-9048-00
14555.000		11.4 - 11.6	290-9049-00
14755.000		11.6 - 11.8	290-9050-00
14955.000		11.8 - 12.0	290-9051-00
7577.500		12.0 - 12.2	290-9052-00
7677.500		12.2 - 12.4	290-9053-00
7777.500		12.4 - 12.6	290-9054-00
7877.500		12.6 - 12.8	290-9055-00
7977.500		12.8 - 13.0	290-9056-00
8077.500		13.0 - 13.2	290-9057-00
8177.500		13.2 - 13.4	290-9058-00
8277.500		13.4 - 13.6	290-9059-00
8377.500		13.6 - 13.8	290-9060-00
8477.500		13.8 - 14.0	290-9061-00
* 8577.500		14.0 - 14.2	290-9062-00
8627.500		14.1 - 14.3	290-9179-00
* 8677.500		14.2 - 14.4	290-9063-00
8777.500		14.4 - 14.6	290-9064-00
8877.500		14.6 - 14.8	290-9065-00
* 8977.500		14.8 - 15.0	290-9066-00
9077.500		15.0 - 15.2	290-9067-00
9177.500		15.2 - 15.4	290-9068-00
9277.500		15.4 - 15.6	290-9069-00
9377.500		15.6 - 15.8	290-9070-00
9477.500		15.8 - 16.0	290-9071-00
9577.500		16.0 - 16.2	290-9072-00
9677.500		16.2 - 16.4	290-9073-00
9777.500		16.4 - 16.6	290-9074-00
9877.500		16.6 - 16.8	290-9075-00
9977.500		16.8 - 17.0	290-9076-00
10077.500		17.0 - 17.2	290-9077-00
10177.500		17.2 - 17.4	290-9078-00
10277.500		17.4 - 17.6	290-9079-00
10377.500		17.6 - 17.8	290-9080-00
10477.500		17.8 - 18.0	290-9081-00
10577.500		18.0 - 18.2	290-9082-00
10677.500		18.2 - 18.4	290-9083-00
10777.500		18.4 - 18.6	290-9084-00
10877.500		18.6 - 18.8	290-9085-00
10977.500		18.8 - 19.0	290-9086-00
11077.500		19.0 - 19.2	290-9087-00
11177.500		19.2 - 19.4	290-9088-00

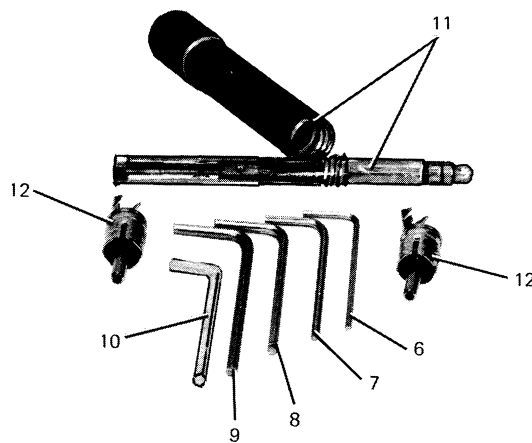
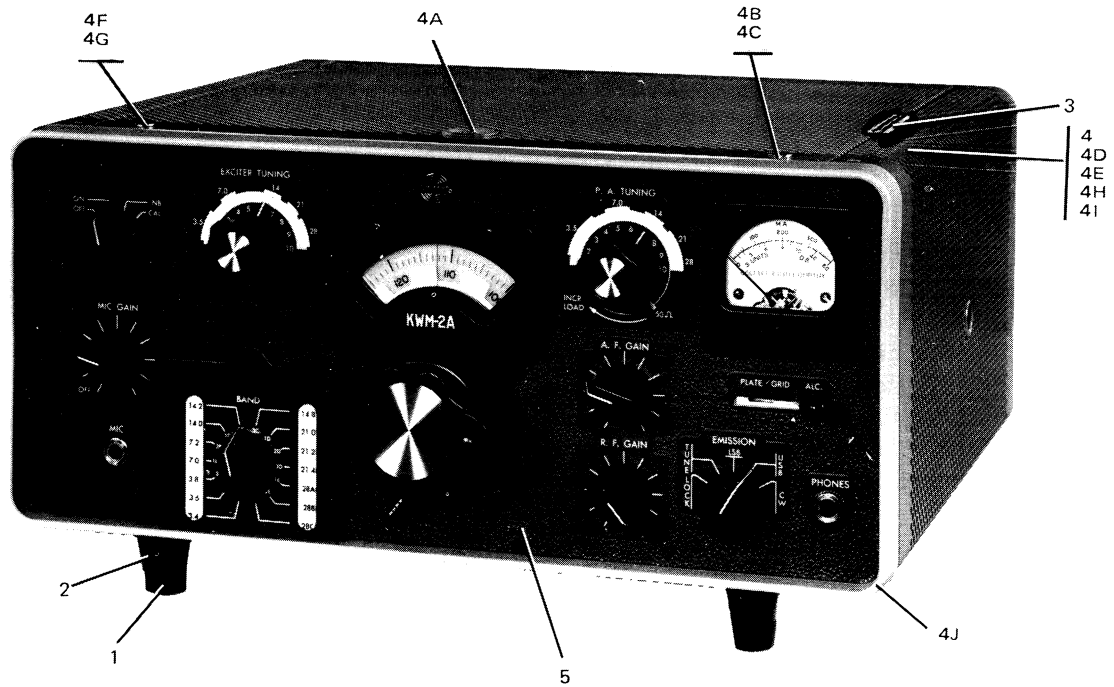
section 6
parts list

CRYSTAL FREQUENCY (kHz)	FOR OPERATING FREQUENCY (MHz)	PART NUMBER
11277.500	19.4 - 19.6	290-9089-00
11377.500	19.6 - 19.8	290-9090-00
11477.500	19.8 - 20.0	290-9091-00
11577.500	20.0 - 20.2	290-9092-00
11677.500	20.2 - 20.4	290-9093-00
11777.500	20.4 - 20.6	290-9094-00
11877.500	20.6 - 20.8	290-9095-00
11977.500	20.8 - 21.0	290-9096-00
*12077.500	21.0 - 21.2	290-9097-00
*12177.500	21.2 - 21.4	290-9098-00
*12277.500	21.4 - 21.6	290-9099-00
12377.500	21.6 - 21.8	290-9100-00
12477.500	21.8 - 22.0	290-9101-00
12577.500	22.0 - 22.2	290-9102-00
12677.500	22.2 - 22.4	290-9103-00
12777.500	22.4 - 22.6	290-9104-00
12877.500	22.6 - 22.8	290-9105-00
12977.500	22.8 - 23.0	290-9106-00
13077.500	23.0 - 23.2	290-9107-00
13177.500	23.2 - 23.4	290-9108-00
13277.500	23.4 - 23.6	290-9109-00
13377.500	23.6 - 23.8	290-9110-00
13477.500	23.8 - 24.0	290-9111-00
13577.500	24.0 - 24.2	290-9112-00
13677.500	24.2 - 24.4	290-9113-00
13777.500	24.4 - 24.6	290-9114-00
13877.500	24.6 - 24.8	290-9115-00
13977.500	24.8 - 25.0	290-9116-00
14077.500	25.0 - 25.2	290-9117-00
14177.500	25.2 - 25.4	290-9118-00
14277.500	25.4 - 25.6	290-9119-00
14377.500	25.6 - 25.8	290-9120-00
14477.500	25.8 - 26.0	290-9121-00
14577.500	26.0 - 26.2	290-9122-00
14677.500	26.2 - 26.4	290-9123-00
14777.500	26.4 - 26.6	290-9124-00
14877.500	26.6 - 26.8	290-9125-00
14977.500	26.8 - 27.0	290-9126-00
15077.500	27.0 - 27.2	290-9127-00
15177.500	27.2 - 27.4	290-9128-00
15277.500	27.4 - 27.6	290-9129-00
15377.500	27.6 - 27.8	290-9130-00
15477.500	27.8 - 28.0	290-9131-00
15527.500	27.9 - 28.1	290-9142-00
15577.500	28.0 - 28.2	290-9132-00
15627.500	28.1 - 28.3	290-9143-00
15677.500	28.2 - 28.4	290-9133-00
15727.500	28.3 - 28.5	290-9144-00
15777.500	28.4 - 28.6	290-9134-00

CRYSTAL FREQUENCY (kHz)	FOR	OPERATING FREQUENCY (MHz)	PART NUMBER
*15827.500		28.5 - 28.7	290-9201-00
15877.500		28.6 - 28.8	290-9135-00
15927.500		28.7 - 28.9	290-9145-00
15977.500		28.8 - 29.0	290-9136-00
16027.500		28.9 - 29.1	290-9146-00
16077.500		29.0 - 29.2	290-9137-00
16127.500		29.1 - 29.3	290-9147-00
16177.500		29.2 - 29.4	290-9138-00
16227.500		29.3 - 29.5	290-9148-00
16277.500		29.4 - 29.6	290-9139-00
16327.500		29.5 - 29.7	290-9149-00
16377.500		29.6 - 29.8	290-9140-00
16477.500		29.8 - 30.0	290-9141-00

*Indicates crystals supplied with equipment.

6.2 GROUP ASSEMBLY PARTS LIST



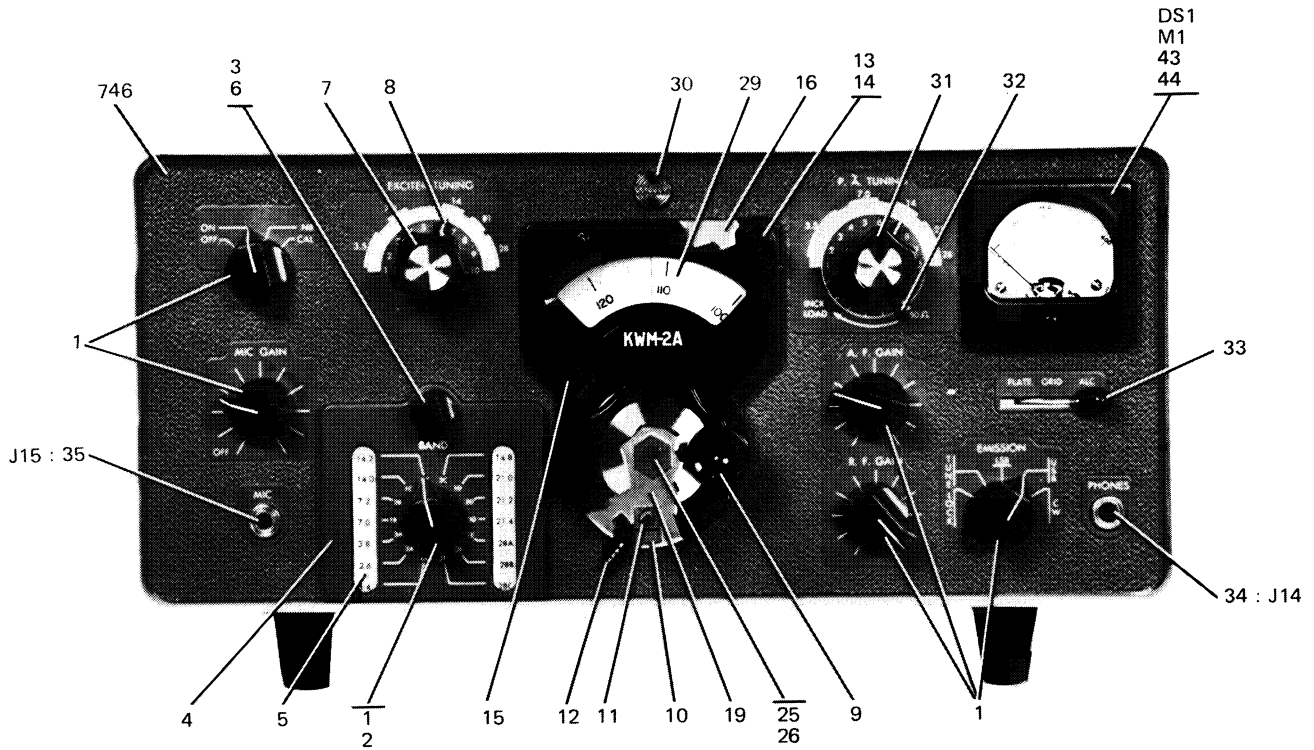
TP4-3187-017

KWM-2 and KWM-2A Transceivers
Figure 6-1

GROUP ASSEMBLY PARTS LIST

FIG - ITEM	PART NO	INDENT	DESCRIPTION	USABLE ON CODE	UNITS PER ASSY
6-1	522-1611-000	1	TRANSCEIVER, KWM-2	A	1
	522-1792-000	1	TRANSCEIVER, KWM-2A	B	1
1	747RBLACK	2	BUMPER,RBR (V75543) 200-5010-000		4
2	543-8101-002	2	FOOT,CAB		2
	MS51957-31	2	SCREW,MACH, SST, 6-32 X 5/8 (V96906)		2
	MS51957-36	2	343-0173-000 (AP FOR 1-2)		
	310-0055-000	2	SCREW,MACH, SST, 6-32 X 1-1/2 (V96906)		2
			343-0180-000 (AP FOR 1-2)		
		2	WASHER,FLAT, BRS, 0.147 ID X 0.312 OD (V79807)		4
			310-0055-000 (AP FOR 1-2)		
3	544-7239-002	2	STOP,LID		2
	328-0512-010	2	SETSCREW, SST, 6-40 X 0.125 (V08664)		2
			328-0512-010 (AP)		
4	544-9745-005	2	CABINET, TRANSCEIVER		1
	P342-0168-000	2	SCREW,MACH, NP BRS, 6-32 X 3/8 (V77250)		2
			342-0168-000 (AP)		
4A	628-0774-001	3	GROMMET		1
4B	82-31-293-15	3	EYELET,TURNLOCK CD PL STL, 0.353 DIA X 0.063 (V75618) 012-1394-000		2
4C	82-11-180-16	3	STUD,TURNLOCK, FSTNR, CD PL STL, 0.240 DIA X 0.475 (V94222) 012-1506-000		2
4D	544-9744-005	3	CABINET		1
4E	618-3304-001	4	FRAME,RIVETED		1
4F	2-295	5	LOCKSPRING (V75618) 012-1396-000		2
4G	R4008X7-32CHROMA TEDIP	5	RIVET,TUBULAR, AL, 0.089 DIA X 7/32 (V12014)		4
			305-0172-000		
4H	609-0573-001	5	FRAME,STYLE		1
4I	544-9742-005	4	CABINET		1
4J	609-0573-001	2	FRAME,STYLE- MOLDED		1
5	544-9697-000	2	TRANSCEIVER SUBASSEMBLY (SEE FIG 6-2)	A	1
5	545-9114-000	2	TRANSCEIVER SUBASSEMBLY (SEE FIG 6-2)	B	1
6	TYIICL1-062	2	KEY,SCH SCR (V81348) 024-2900-000		1
7	S076-4	2	KEY,SCH SCR (V08664) 024-9730-000		1
8	S096CADPL	2	KEY,SKT SCR (V08664) 024-0019-000		1
9	111CDPL	2	KEY,SKT SCR (V08664) 024-9710-000		1
10	S072CHEMBLK	2	KEY,SKT SCR (V08664) 024-0167-000		1
11	PJ068	2	PLUG,TEL (V81349) 361-0001-000		1
12	3501MC	2	PLUG,TEL (V82389) 361-0062-000		2

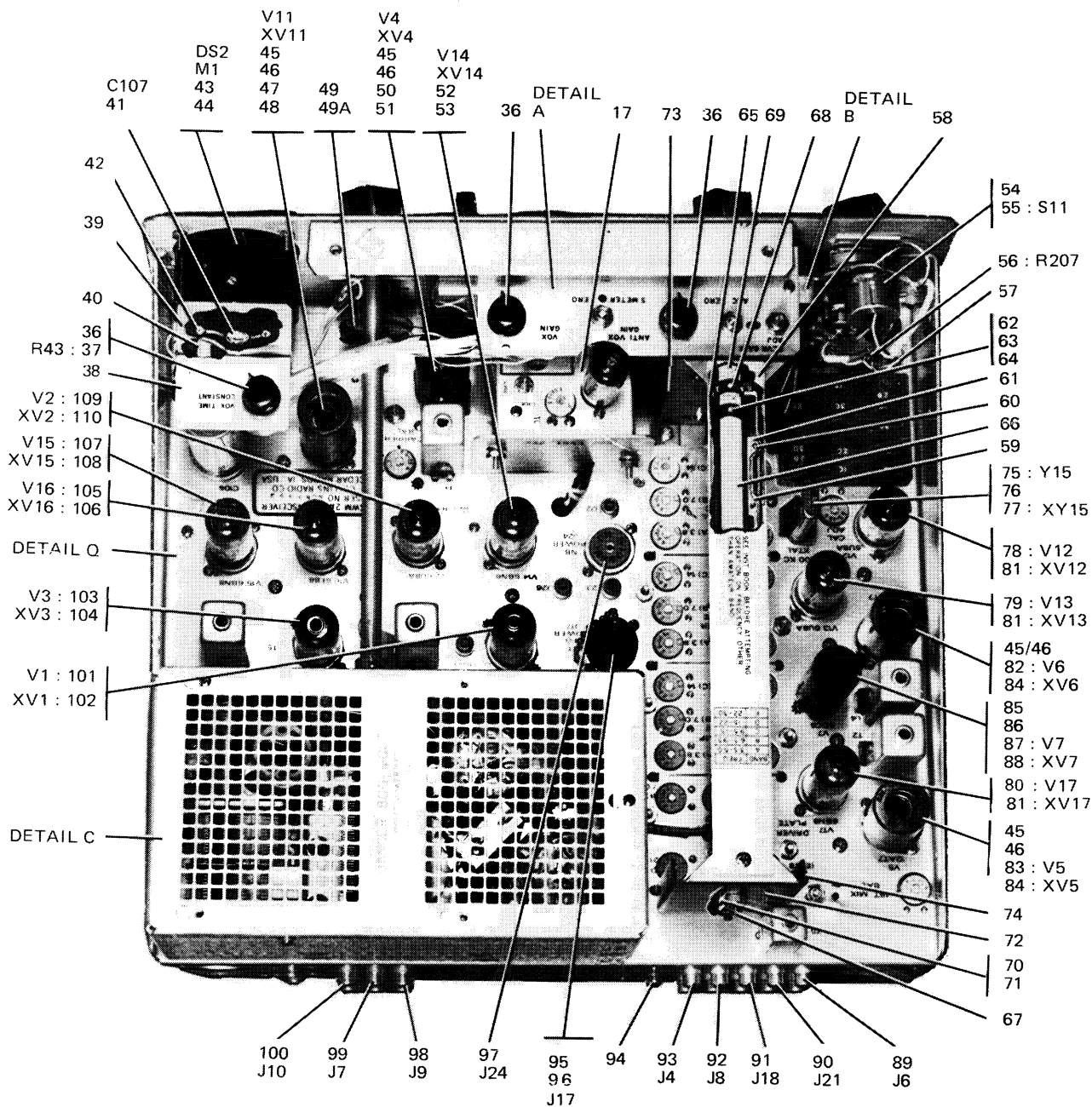
GROUP ASSEMBLY PARTS LIST



TP4-3139-157

*Transceiver Subassembly
Figure 6-2 (Sheet 1 of 15)*

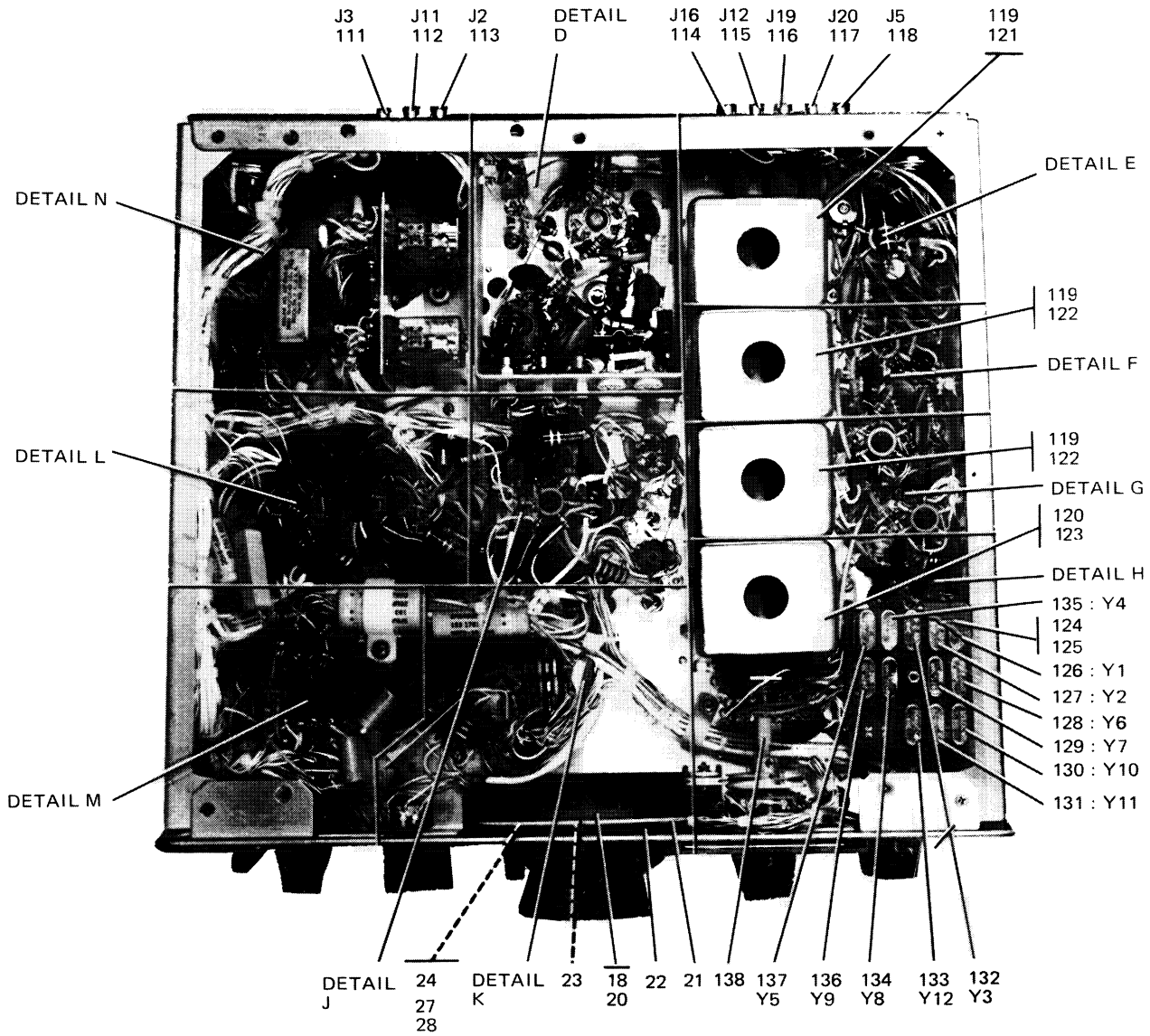
GROUP ASSEMBLY PARTS LIST



TP4-3139-157

Transceiver Subassembly
Figure 6-2 (Sheet 2)

GROUP ASSEMBLY PARTS LIST

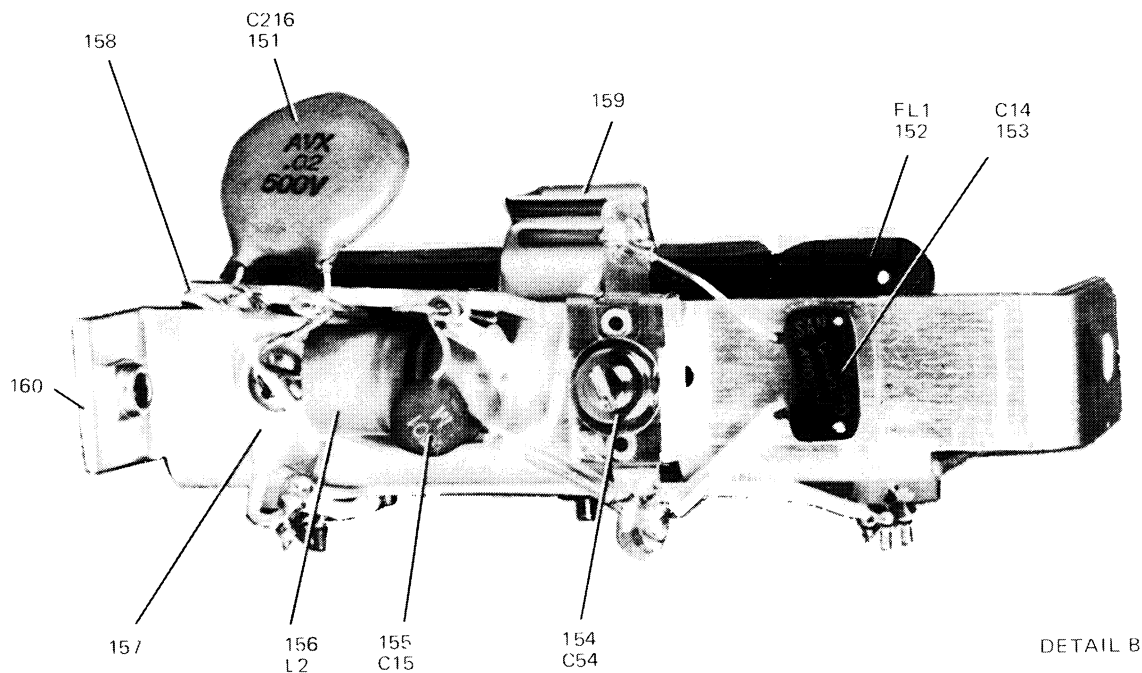
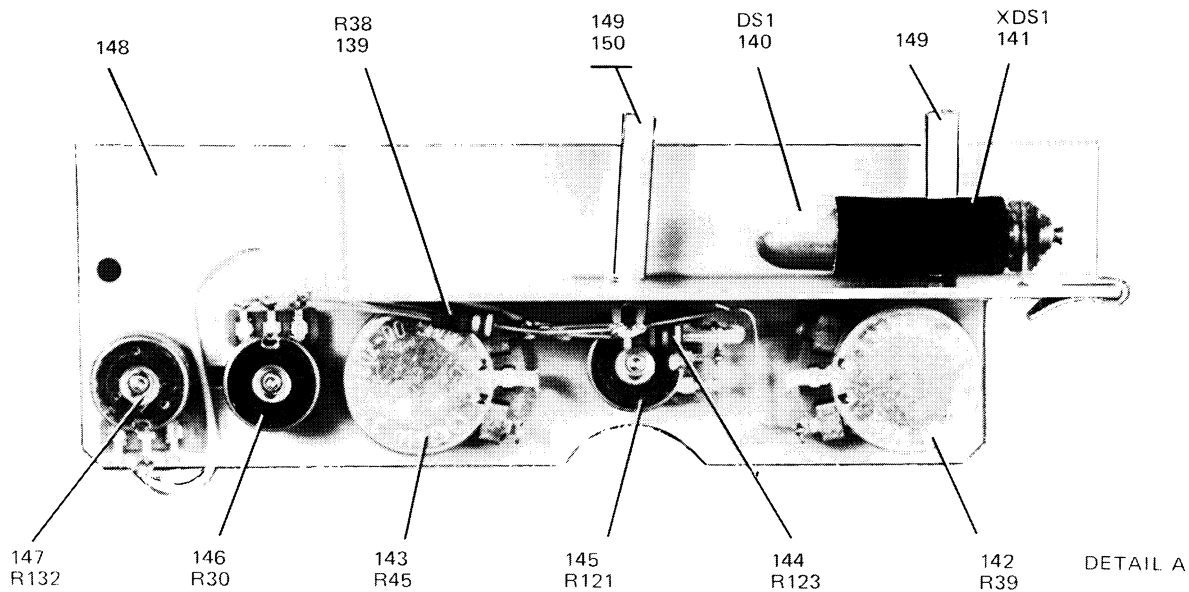


TP4-3139-157

Transceiver Subassembly
Figure 6-2 (Sheet 3)

Revised 1 January 1978

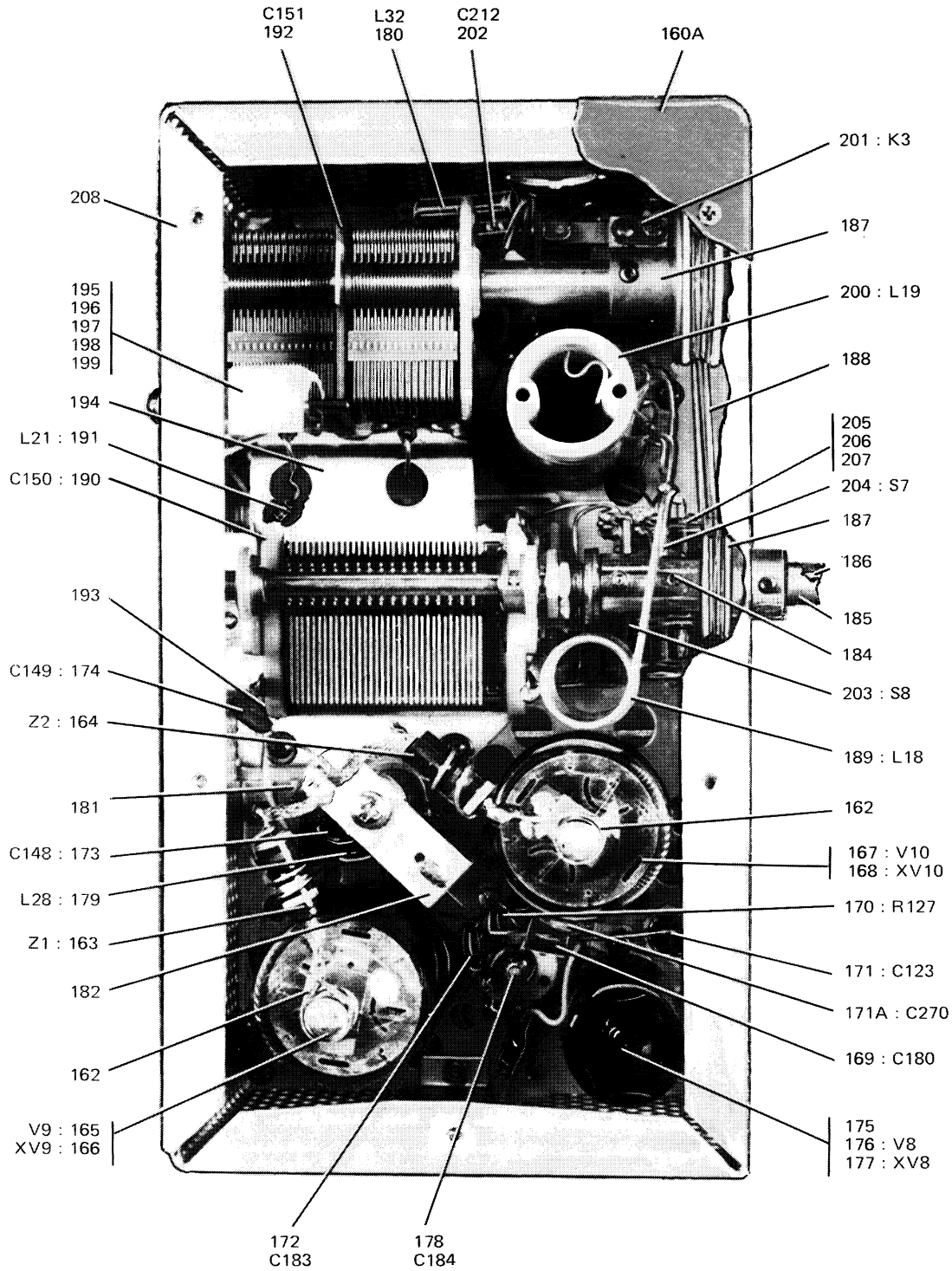
GROUP ASSEMBLY PARTS LIST



TP4-3139-157

Transceiver Subassembly
Figure 6-2 (Sheet 4)

GROUP ASSEMBLY PARTS LIST

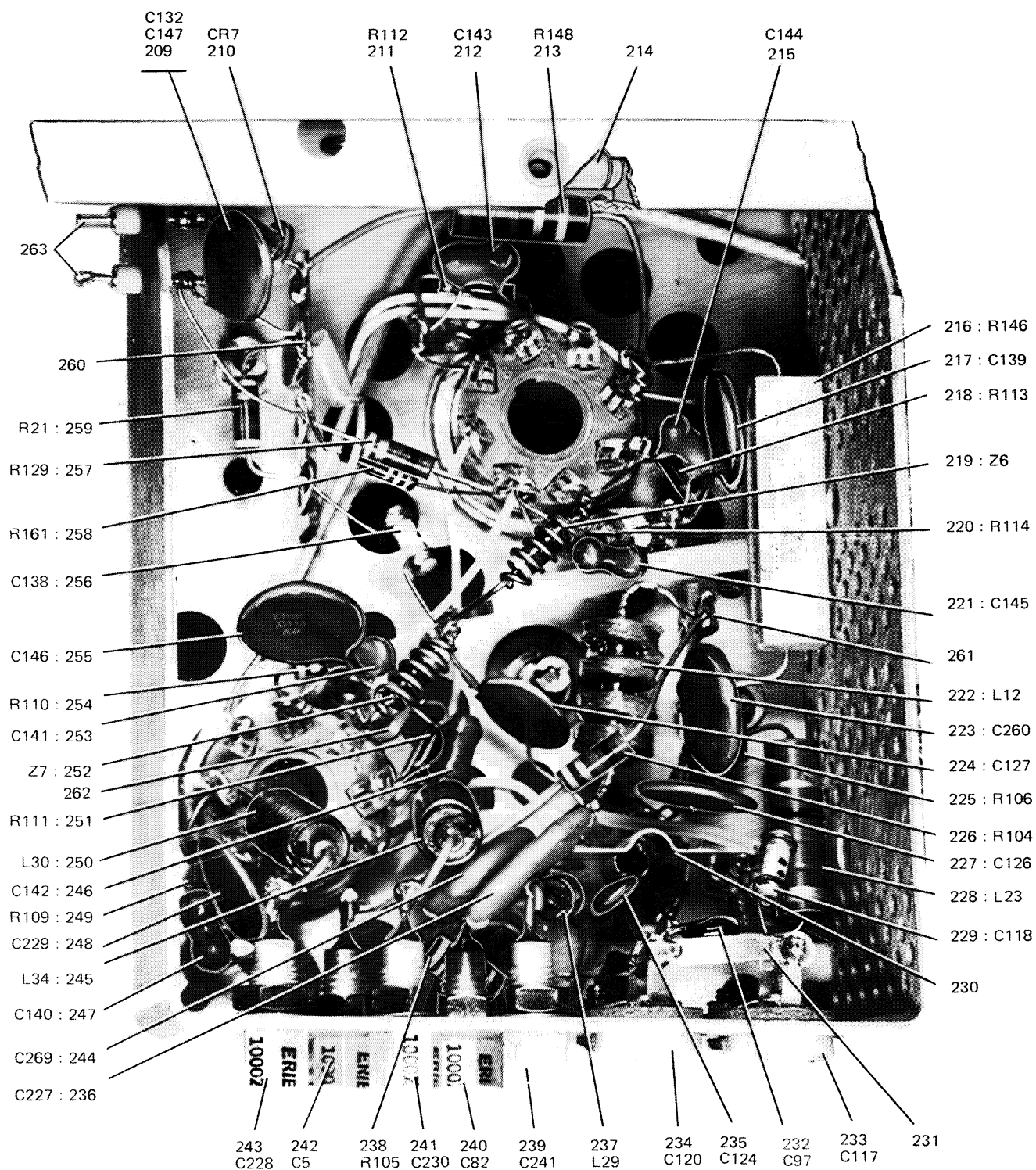


DETAIL C

TP4-3139-157

Transceiver Subassembly
Figure 6-2 (Sheet 5)

GROUP ASSEMBLY PARTS LIST

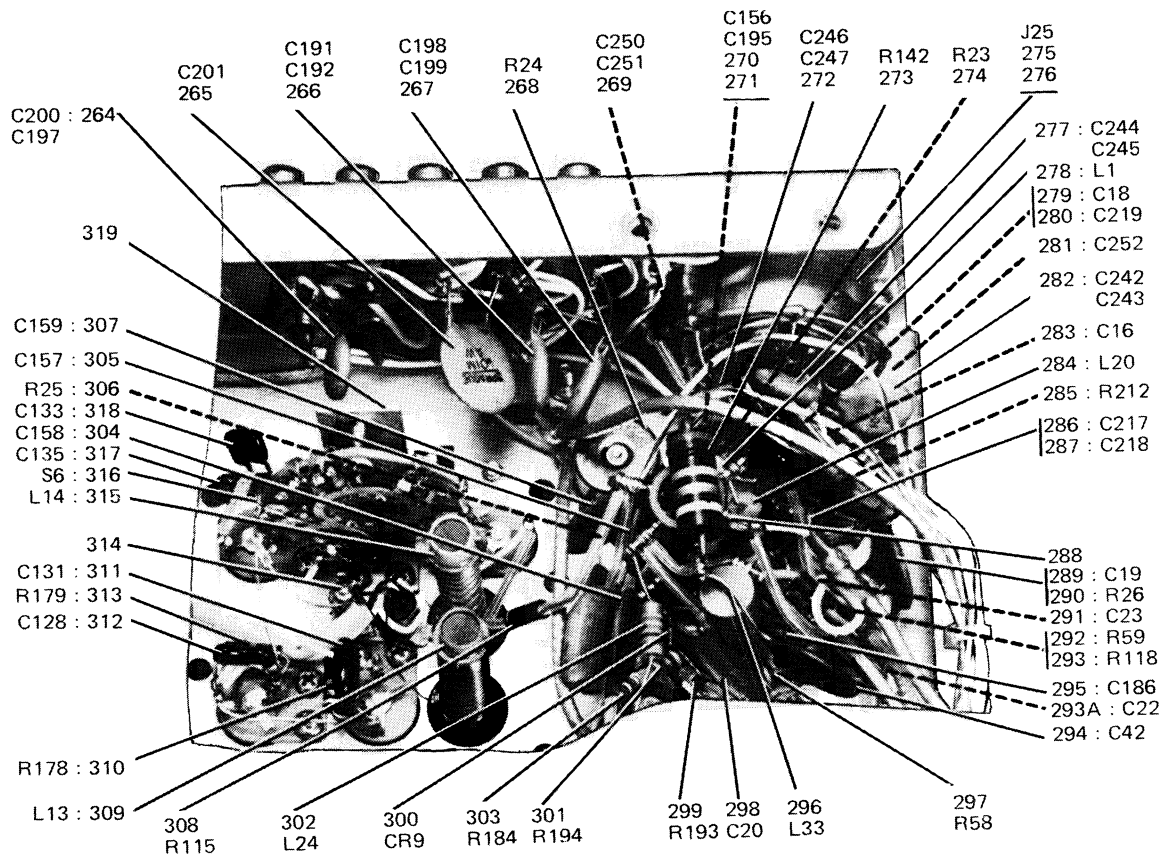


DETAIL D

TP4-3139-157

Transceiver Subassembly
Figure 6-2 (Sheet 6)

GROUP ASSEMBLY PARTS LIST



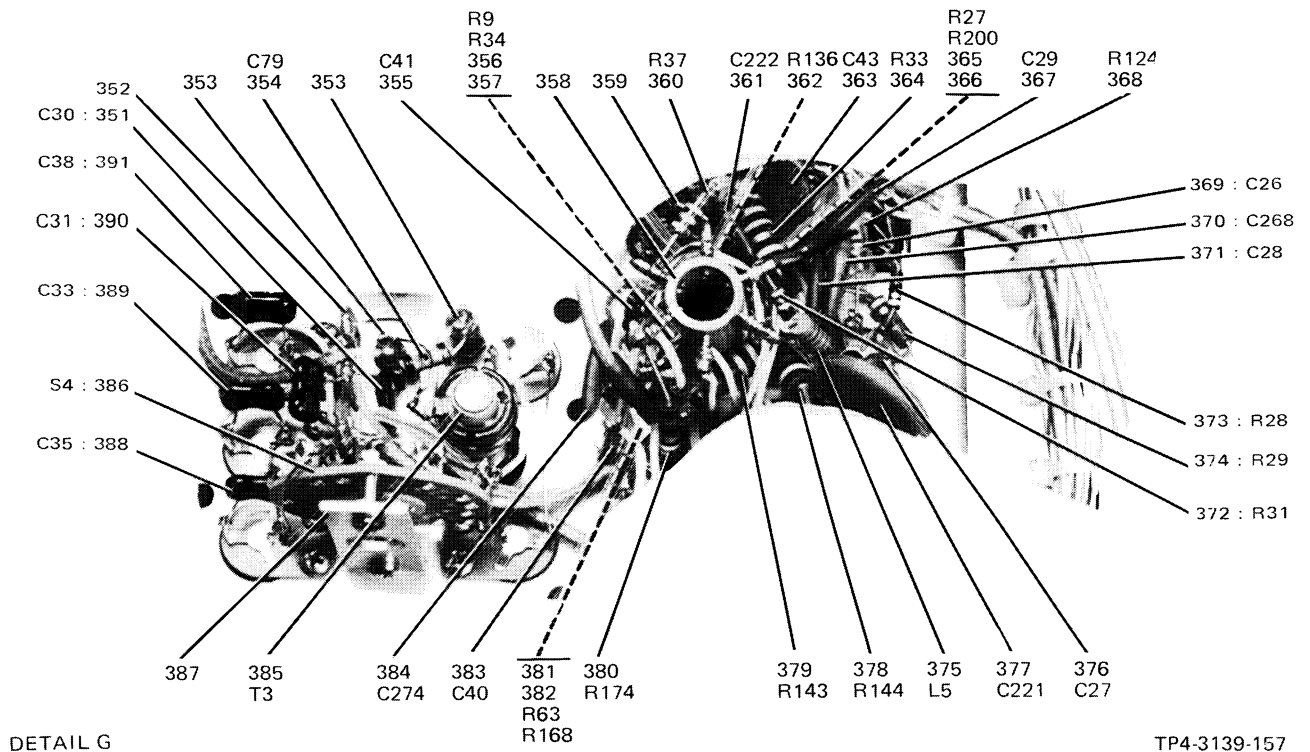
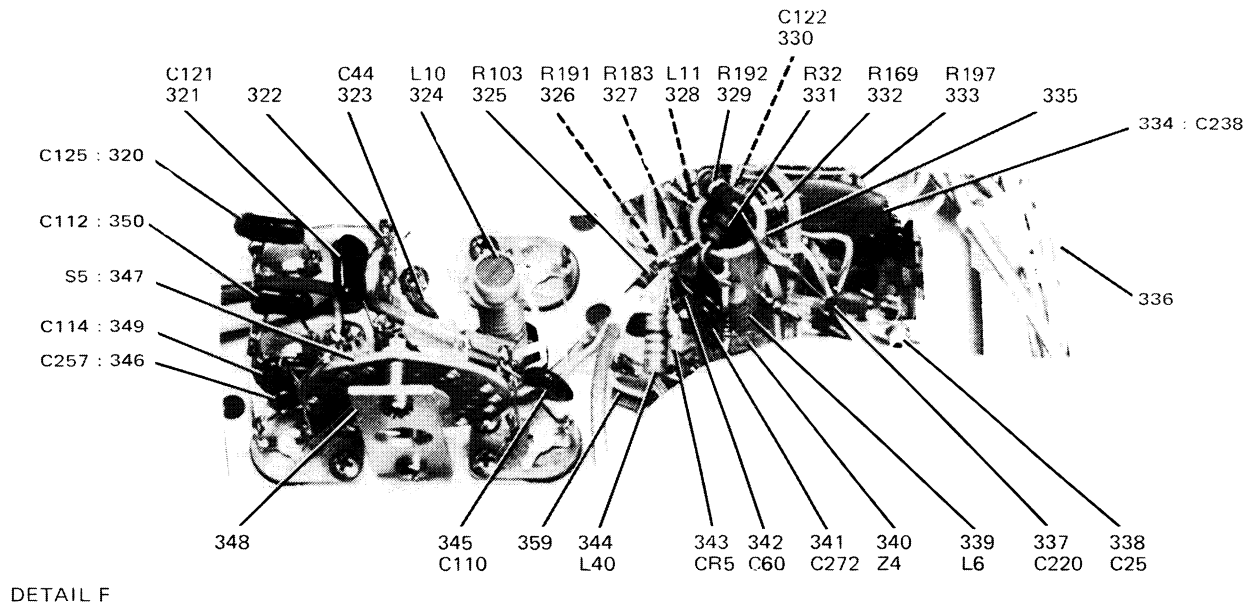
DETAIL E

TP4-3139-157

Transceiver Subassembly
Figure 6-2 (Sheet 7)

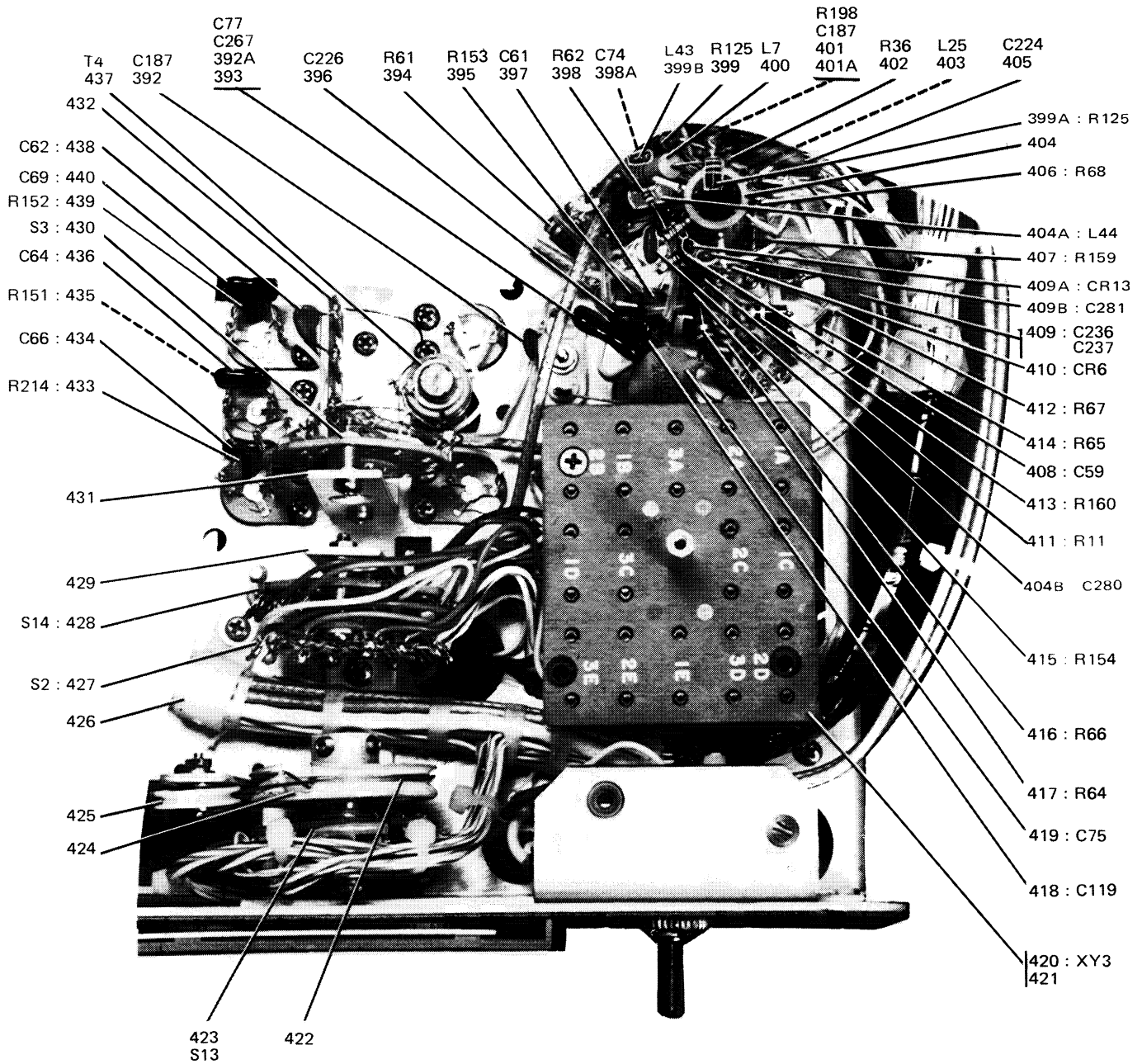
Revised 1 January 1978

GROUP ASSEMBLY PARTS LIST



Transceiver Subassembly
Figure 6-2 (Sheet 8)

GROUP ASSEMBLY PARTS LIST

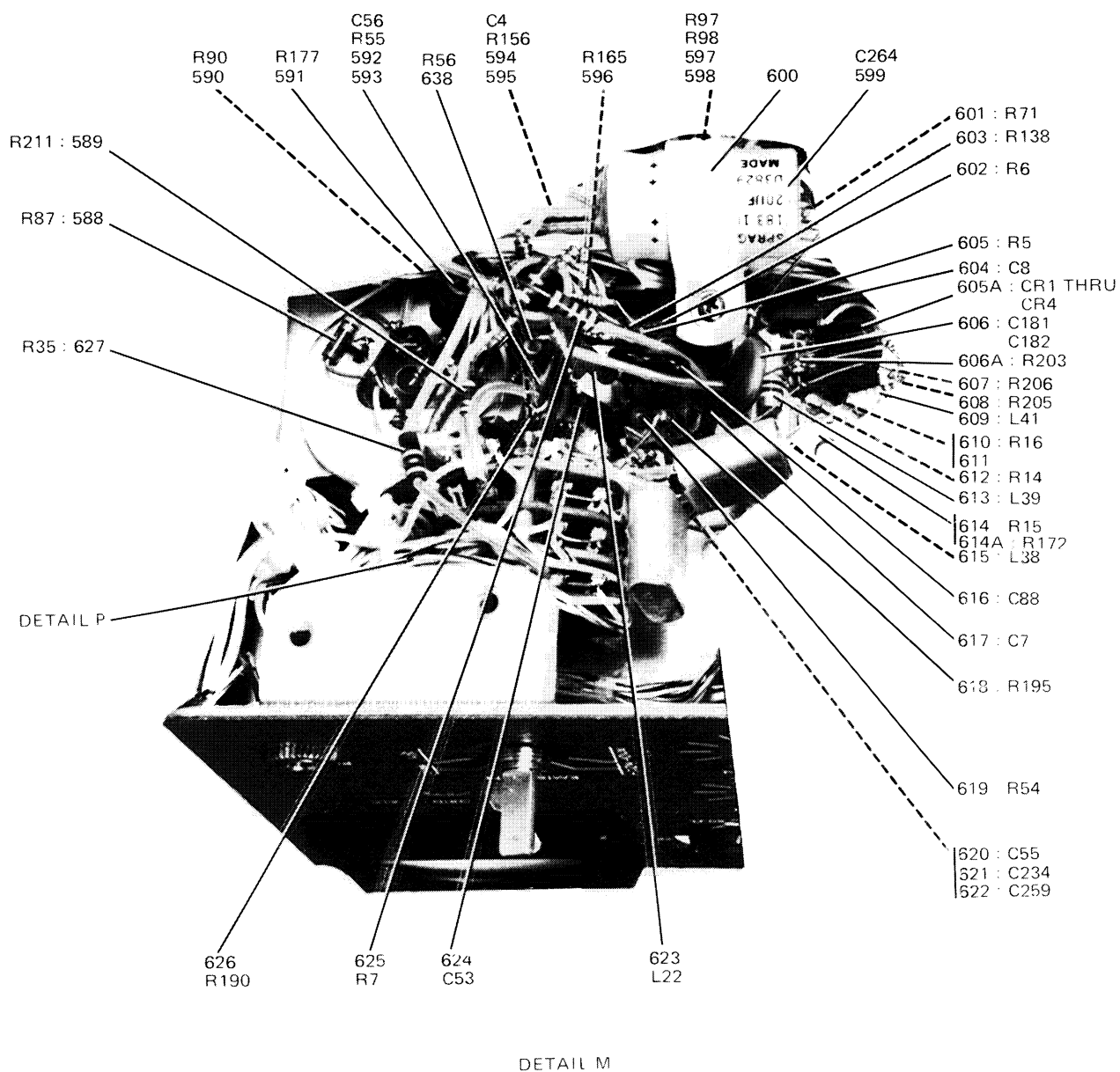


DETAIL H

TP4-3139-157

Transceiver Subassembly
Figure 6-2 (Sheet 9)

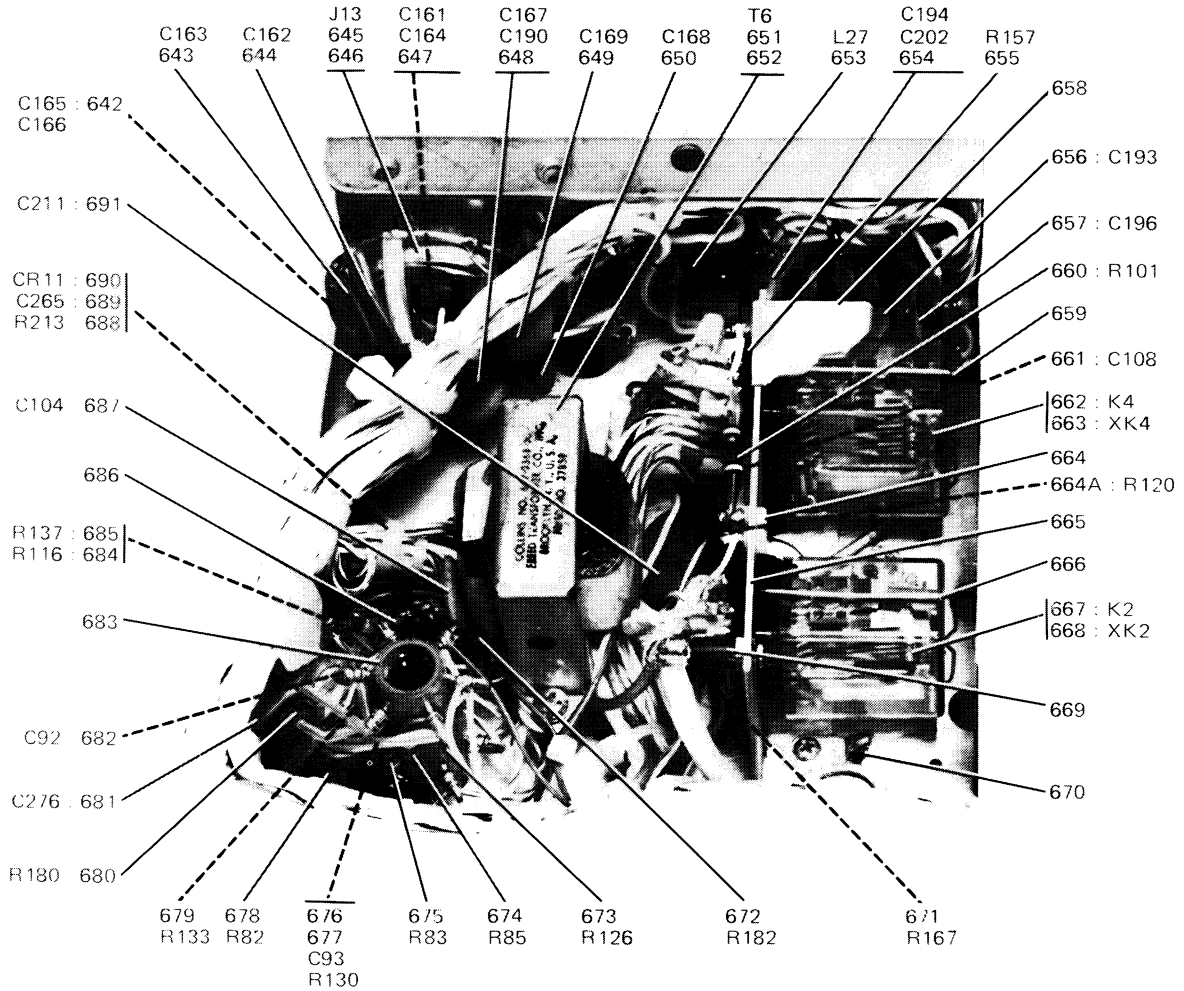
GROUP ASSEMBLY PARTS LIST



TP4-3139 15/7

Transceiver Subassembly
Figure 6-2 (Sheet 12)

GROUP ASSEMBLY PARTS LIST

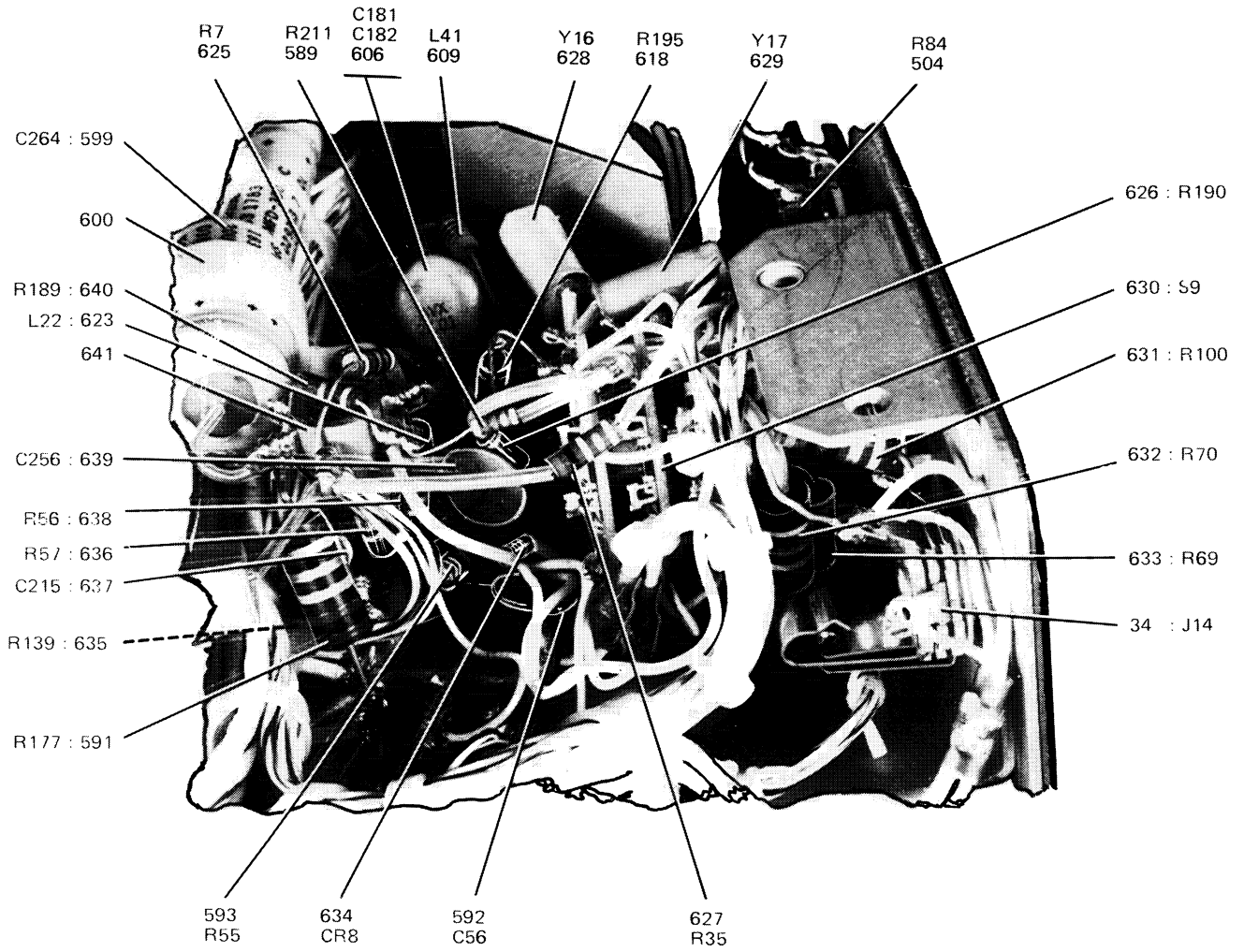


DETAIL N

TP4-3139-157

Transceiver Subassembly
Figure 6-2 (Sheet 13)

GROUP ASSEMBLY PARTS LIST

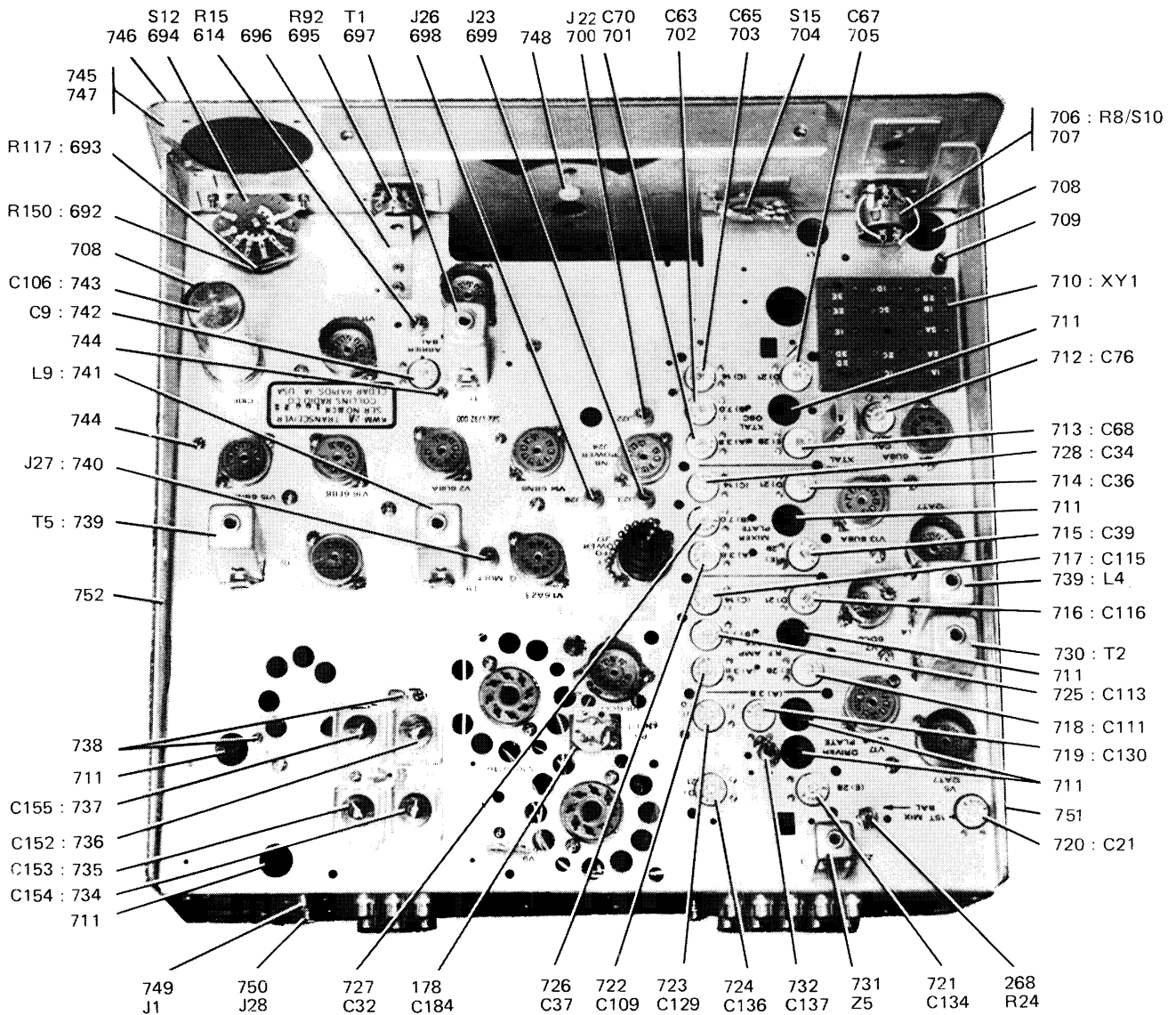


DETAIL P

TP4-3139-157

Transceiver Subassembly
Figure 6-2 (Sheet 14)

GROUP ASSEMBLY PARTS LIST



DETAIL O

TP4-3139-157

Transceiver Subassembly
Figure 6-2 (Sheet 15)

GROUP ASSEMBLY PARTS LIST

FIG - ITEM	PART NO	INDENT	DESCRIPTION	USABLE ON CODE	UNITS PER ASSY
6-2	545-9114-000	1	TRANSCEIVER SUBASSEMBLY (SEE FIG 6-1-5 FOR NHA)	A	REF
	544-9697-000	1	TRANSCEIVER SUBASSEMBLY (SEE FIG 6-1-5 FOR NHA)	B	REF
1	543-8039-000	2	KNOB	A	6
1	543-8039-000	2	KNOB	B	5
2	544-0779-004	2	KNOB	B	1
	328-0473-000	2	SETSCREW, CD PL STL, 8-32 X 3/16 (V08664) 328-0473-000 (AP)	B	1
3	544-7268-002	2	KNOB	B	1
	328-0506-020	2	SETSCREW, CD PL STL, 6-40 X 3/16 (V08664) 328-0506-020 (AP)	B	1
4	544-7277-004	2	PLATE, ESCUTCHEON	B	1
	8947-151	2	NUT, PLAIN, HEX, NP BRS, 15/32-32 (V04009) 334-4030-000 (AP)	B	1
	1722-01	2	WASHER, LOCK, SST, 0.480 ID X 0.607 OD (V78189) 373-0083-000 (AP)	B	1
5	544-7262-000	2	CARD, FREQ SELECTOR	B	1
6	544-7267-002	2	CRANK, BELL (EFF THRU MCN 2004)	B	1
6	790-0408-000	2	ARM, PIVOT (EFF MCN 2005)	B	1
	328-0512-010	2	SETSCREW, SST, 6-40 X 0.125 (V08664) 328-0512-010 (AP)	B	2
7	543-8043-000	2	KNOB		1
8	543-8088-002	2	KNOB		1
9	553-5787-003	2	KNOB		1
	335-0041-000	2	SETSCREW, SST, 8-32 X 3/16 (V08664) 335-0041-000 (AP)		2
10	757-8610-000	2	SHAFT, LOCK	B	1
11	757-8613-001	2	BUSHING	B	1
12	757-8614-000	2	ARM, LOCK	B	1
	MS51959-16	2	SCREW, MACH, SST, 4-40 X 7/16 (V96906) 342-0047-000 (AP FOR 10-12)		1
13	543-8078-002	2	KNOB		1
	328-0005-000	2	SETSCREW, SST, 4-48 X 1/8 (V08664) 328-0005-000 (AP)		1
14	543-8042-000	2	SHAFT, ASSY (FIDUCIAL)		1
	331-7000-00	2	SHIM, BRS, 0.127 ID X 0.375 OD (V79807) 331-7000-000 (AP)		3
15	553-5701-004	2	PLATE, ESCUTCHEON	A	1
15	553-5702-004	2	PLATE, ESCUTCHEON	B	1
	8947-151	2	NUT, PLAIN, HEX, NP BRS, 15/32-32 (V04009) 334-4030-000 (AP)		1
	MS16624-1025	2	RING, RTNG (V96905) 340-0025-000 (AP)		1
	WN19491	2	SHIM (V87487) 331-9001-000 (AP)		1
	331-5020-00	2	SHIM, BRS, 0.250 ID X 0.500 OD (V79807) 331-5020-000 (AP)		1
	P319-0043-000	2	SCREW, MACH, NP BRS, 4-40 X 7/16 (V77250) 319-0043-000 (AP)		2
	P313-0156-00	2	NUT, PLAIN, HEX, NP BRS, 4-40 (V77250) 313-0156-000 (AP)		1
	P342-0155-000	2	SCREW, MACH, NP BRS, 4-40 X 7/16 (V77250) 342-0155-000 (AP)		1
16	544-3128-002	2	BRACKET, SUPPORT		1
	P343-0298-000	2	SCREW, MACH, NP BRS, 2-56 X 3/16 (V77250) 343-0298-000 (AP)		2
17	522-1093-000	2	OSCILLATOR, RF, TYPE 70K-2 (SEE FIG 6-3)		1
	330-0735-000	2	SCREW, TPG, THD, CD PL STL, 6-20 X 1/4 (V45722) 330-0735-000 (AP)		2
	310-0055-000	2	WASHER, FLAT, BRS, 0.147 ID X 0.312 OD (V79807) 310-0055-000 (AP)		2
18	546-7829-004	2	DIAL ASSY		1
	328-0512-010	2	SETSCREW, SST, 6-40 X 0.125 (V08664) 328-0512-010 (AP)		2
19	543-8104-002	3	WASHER, FELT		1

section 6
parts list

GROUP ASSEMBLY PARTS LIST

FIG - ITEM	PART NO	INDENT	DESCRIPTION	USABLE ON CODE	UNITS PER ASSY
6-2	20	543-8076-002	3 DRUM,DIAL		1
		P320-0008-00	3 SCREW,MACH, NP BRS, 0-80 X 1/4 (V77250)		3
		310-0274-000	3 WASHER,LOCK, NP BRS, 0.073 ID X 0.117 OD (V76665) 310-0274-000 (AP)		3
		543-5577-003	3 WASHER,FLAT (AP)		3
	21	543-8034-002	3 DIAL,NUMBERED		1
	22	543-8033-002	3 DIAL,GRADUATED		1
	23	543-8084-002	3 WASHER,SPACING		1
	24	546-7823-004	3 RING,DRIVE		1
	25	548-9326-000	2 SHAFT ASSY, TUNING		1
	26	543-8035-000	2 BUSHING		1
	27	545-6002-000	2 GEAR,SPUR		1
	28	545-6000-002	2 BEARING,SLV		1
		P343-0282-000	2 SCREW,MACH, SST, 4-40 X 9/16 (V77250)		1
		MS35338-97	2 WASHER,SPRING, CD PL BRZ, 0.115 ID X 0.209 OD (V96906) 310-0095-000 (AP FOR 27-28)		1
		310-0054-000	2 WASHER,FLAT, BRS, 0.125 ID X 0.312 OD (V79807) 310-0054-000 (AP FOR 27-28)		1
	29	543-8093-003	2 DISC-FIDUCIAL		1
	30	280-3423-00	2 INSIGNIA (VA1334) 280-3423-000 (EFF TO REV LTR DJ)		1
		C13388SS010	2 PUSH ON NUT (V78553) 334-1331-000 (AP) (EFF TO REV LTR DJ)		1
	31	543-8044-000	2 KNOB		1
	32	544-3148-003	2 LEVER,TRIMMING		1
	33	281-0330-000	2 KNOB (V18986) 281-0330-000		1
	34	13A	2 JACK,TEL (V82389) 360-0169-000 J14		1
		N020BRASS	2 NUT,PLAIN, NP BRS, 3/8-32 (V08591) 334-1657-000 (AP)		1
		1720-02	2 WASHER,LOCK, SST, 0.391 ID X 0.507 OD (V78189) 373-0085-000 (AP)		1
	35	M641-5-1	2 JACK,TEL (V81349) 358-1050-000 J15		1
		N020BRASS	2 NUT,PLAIN, NP BRS, 3/8-32 (V08591) 334-1657-000 (AP)		1
		1720-02	2 WASHER,LOCK, SST, 0.391 ID X 0.507 OD (V78189) 373-0085-000 (AP)		1
	36	1400M	2 KNOB (V72512) 281-0069-000		3
	37	376-7206-000	2 RESISTOR,VAR, IOMEGO, 30%, 1/4W (V71450) 376-7206-000 R43		1
	38	546-7971-002	2 BRACKET		1
	39	544-9716-002	2 COVER,METER		1
	40	544-9717-002	2 POST		2
		P313-0003-000	2 NUT,PLAIN,HEX, NP BRS, 1/4-28 (V77250) 313-0003-000 (AP FOR 38-40)		2
		505-9208-001	2 WASHER (AP FOR 38-40)		2
		310-0058-000	2 WASHER,FLAT, BRS, 0.172 ID X 0.437 OD (V79807) 310-0058-000 (AP FOR 38-40)		2
	41	36C175A	2 CAPACITOR,FXD, CER DIEI, 10000PF, 20%, 500V (V56289) 913-3013-000 C107		1
	42	2104-08-02-2520N	2 TERMINAL,LUG (V78189) 304-0319-000		2
	43	458-0491-00	2 METER,AUDIO LVL (V03562) 458-0491-000 M1		1
	44	MS15571-2	2 LAMP,INCAND (V96906) 262-3240-000 0S2		1
	45	541-6554-003	2 SHIELD,ELECTRON TUBE (EFF TO REV LTR DM)		4
	45	M24251-6-6	2 SHIELD, TUBE (V81349) 141-0594-000 (EFF REV LTR DM)		4
	46	541-6533-003	2 RETAINER, ELECTRON TUBE		4

GROUP ASSEMBLY PARTS LIST

FIG - ITEM	PART NO	INDENT	DESCRIPTION	USABLE ON CODE	UNITS PER ASSY
6-2	47	6U8A	2 ELECTRON TUBE (V82219) 255-0328-000 V11		1
	48	TS103P01	2 SOCKET,ELECTRON (V81349) 220-1103-000 XV11		1
		P313-0051-000	2 NUT,PLAIN,HEX, NP BRS, 4-40 (V77250)		2
			313-0051-000 (AP)		
		MS35335-85	2 WASHER,LOCK, CD PL BRZ, 0.123 ID X 0.255 OD (V96906) 373-7010-000 (AP)		2
		2104-04-01-2520N	2 TERMINAL,LUG (V78189) 304-0317-000 (AP)		3
		P343-0286-000	2 SCREW,MACH, NP BRS, 4-40 X 5/16 (V77250)		1
			343-0286-000 (AP)		
		MS51957-15	2 SCREW,MACH, STL, 4-40 X 3/8 (V96906)		1
			343-0135-000 (AP)		
	49	544-9695-000	2 PULLY		1
		328-0512-010	2 SETSCREW, SST, 6-40 X 0.125 (V08664)		1
			328-0512-010 (AP)		
	49A	544-9709-000	2 SHAFT,SWITCH		1
		5100-25C	2 RING,RTNG (V79136) 340-0038-000 (AP)		1
		310-0061-000	2 WASHER,FLAT, BRS, 0.265 ID X 0.625 OD (V79807)		1
			310-0061-000 (AP)		
	50	6A28	2 ELECTRON TUBE (V49671) 255-0333-000 V4		1
	51	TS103P01	2 SOCKET,ELECTRON (V81349) 220-1103-000 XV4		1
		P313-0051-000	2 NUT,PLAIN,HEX, NP BRS, 4-40 (V77250)		1
			313-0051-000 (AP)		
		MS35335-85	2 WASHER,LOCK, CD PL BRZ, 0.123 ID X 0.255 OD (V96906) 373-7010-000 (AP)		2
		2104-04-01-2520N	2 TERMINAL,LUG (V78189) 304-0317-000 (AP)		2
		P343-0285-000	2 SCREW,MACH, NP BRS, 4-40 X 1/4 (V77250)		1
			343-0285-000 (AP)		
		P343-0286-000	2 SCREW,MACH, NP BRS, 4-40 X 5/16 (V77250)		1
			343-0286-000 (AP)		
	52	6B8	2 ELECTRON TUBE (V82219) 255-0335-000 V14		1
	53	59-412-1000	2 SOCKET,ELECTRON (V02660) 220-1054-000 XV14		1
		P313-0051-000	2 NUT,PLAIN,HEX, NP BRS, 4-40 (V77250)		1
			313-0051-000 (AP)		
		MS35335-85	2 WASHER,LOCK, CD PL BRZ, 0.123 ID X 0.255 OD (V96906) 373-7010-000 (AP)		2
		2104-04-01-2520N	2 TERMINAL,LUG (V78189) 304-0317-000 (AP)		2
		P343-0286-000	2 SCREW,MACH, NP BRS, 4-40 X 5/16 (V77250)		1
			343-0286-000 (AP)		
		P343-0285-000	2 SCREW,MACH, NP BRS, 4-40 X 1/4 (V77250)		1
			343-0285-000 (AP)		
	54	196302F1AC	2 SWITCH,RTRY (V76854) 259-1075-000 S11		1
		P334-4060-000	2 NUT,PLAIN,HEX, NP BRS 3/8-32 (V77250)		1
			334-4060-000 (AP)		
		1720-02	2 WASHER,LOCK, SST, 0.391 ID X 0.507 OD (V78189)		1
			373-0085-000 (AP)		
	55	10070-4	3 SWITCH,SNAP (V76854) 259-8011-010 (P/O S11)		1
	56	RCR07G471KS	2 RESISTOR,FXD, CMPSN, 470 OHMS, 10%, 1/4W (V81349) 745-0737-000 R207 /12/		1
	56	RCR20G681KS	2 RESISTOR,FXD, CMPSN, 680 OHMS, 10%, 1/2W (V81349) 745-1345-000 R207 /12/		1
	57	RTMT16M	2 TERMINAL,STUD (V91663) 306-0977-000		1
	58	543-8062-002	2 BAR,SUPPORT		1
		330-0735-000	2 SCREW,TPG,THD, CD PL STL, 6-20 X 1/4 (V45722)		2
			330-0735-000 (AP)		
	59	544-3139-002	2 SPRING		1
	60	57-634-5	2 CORE,FERRITE (V78488) 288-2509-000		5
	61	757-6574-001	2 RACK ASSY		1
	62	543-8030-000	3 TABLE,SLUG		1
		P343-0299-000	3 SCREW,MACH, NP BRS, 2-56 X 1/4 (V77250)		2
			343-0299-000 (AP)		
		302-0023-00	2 WASHER,NM, CORPRENE, 0.093 ID X 0.250 OD (V05284) 302-0023-000 (AP)		2
		543-8103-002	2 SPRING (AP)		

section 6
parts list

GROUP ASSEMBLY PARTS LIST

FIG - ITEM	PART NO	INDENT	DESCRIPTION	USABLE ON CODE	UNITS PER ASSY
6-2 - 63	543-8029-000	4	STRAP,SLUG RACK		2
	R4012X5-32PLAIN	4	RIVET,TUBULAR, AL, 0.123 DIA X 5/32 (V12014)		2
			305-2021-000 (AP)		
64	543-8070-003	4	TABLE,SLUG		1
65	546-2130-002	3	STOP,THREADED		1
66	544-9722-003	3	SHAFT,TUBE		1
67	1-8SSBALL	3	BEARING,BALL (V27545) 309-0019-000		1
	97NM02	3	NUT,SLFLKG,HEX, NP BRS, 10-32 (V72962)		1
			333-0390-000 (AP FOR 66-67)		
	328-0028-000	3	SETSCREW, SST, 10-32 X 1/2 (V08664) 328-0028-000		1
			(AP FOR 66-67)		
68	309-5300-000	3	BALL BEARING (V43991) 309-5300-000		4
69	544-9705-002	3	SHAFT,SUN		1
70	543-8087-002	3	PULLEY,IDLER		2
71	543-8065-002	3	SPACER,SLV		2
	MS51957-49	3	SCREW,MACH, SST, 8-32 X 1 (V96906) 343-0193-000		2
			(AP FOR 70-71)		
	MS35649-284	3	NUT,PLAIN,HEX, SST, 8-32 (V96906) 313-0017-000		2
			(AP FOR 70-71)		
72	A238-5MILL6085A	3	BEARING,SLV (V70417) 309-0424-000		3
	P313-0156-00	3	NUT,PLAIN,HEX, NP BRS, 4-40 (V77250)		1
			313-0156-000 (AP)		
	MS35338-97	3	WASHER,SPRING, CD PL BRZ, 0.115 ID X 0.209 OD		1
			(V96906) 310-0095-000 (AP)		
	P343-0289-000	3	SCREW,MACH, NP BRS, 4-40 X 1/2 (V77250)		2
			343-0289-000 (AP)		
	P343-0291-000	3	SCREW,MACH, NP BRS, 4-40 X 3/4 (V77250)		1
			343-0291-000 (AP)		
73	544-9720-003	3	BRACKET,MTG, FRONT		1
74	544-9721-003	3	BRACKET,MTG, REAR		1
	330-0735-000	3	SCREW,TPG,THD, CD PL STL, 6-20 X 1/4 (V45722)		4
			330-0735-000 (AP FOR 73-74)		
	310-0077-000	3	WASHER,LOCK, BRZ, 0.141 ID X 0.253 OD (V79807)		1
			310-0077-000 (AP FOR 73-74)		
75	BL289-1424-000	2	XTAL UNIT,QTZ, 100.0000KHZ (V71034) 289-1424-000		1
			Y15		
76	544-2844-002	2	CLIP,ELECTRICAL		1
77	TS0205C01	2	SOCKET,XTAL (V81349) 292-0082-000 XY15		1
	P313-0050-000	2	NUT,PLAIN,HEX, NP BRS, 2-56 (V77250)		1
			313-0050-000 (AP FOR 76-77)		
	302-0023-00	2	WASHER,NM, CORPRENE, 0.093 ID X 0.250 OD		2
			(V05284) 302-0023-000 (AP FOR 76-77)		
	310-0053-000	2	WASHER,FLAT, BRS, 0.093 ID X 0.250 OD (V79807)		1
			310-0053-000 (AP FOR 76-77)		
	P342-0147-000	2	SCREW,MACH, NI PL BRS, 2-56 X 1/2 (V77250)		1
			342-0147-000 (AP FOR 76-77)		
78	6U8A	2	ELECTRON TUBE (V82219) 255-0328-000 V12		1
79	6U8A	2	ELECTRON TUBE (V82219) 255-0328-000 V13 (EFF TO		1
			REV LTR DL)		
79	6EA8	2	ELECTRON TUBE (V49671) 255-0379-000 V13 (EFF REV		1
			LTR DL)		
80	6BN8	2	ELECTRON TUBE (V82219) 255-0335-000 V17		1
81	59-412-1000	2	SOCKET,ELECTRON (V02660) 220-1054-000 XV12 ,XV13		3
			,XV17		
	P313-0051-000	2	NUT,PLAIN,HEX, NP BRS, 4-40 (V77250)		6
			313-0051-000 (AP)		
	MS35335-85	2	WASHER,LOCK, CD PL BRZ, 0.123 ID X 0.255 OD		6
			(V96906) 373-7010-000 (AP)		
	2104-04-01-2520N	2	TERMINAL,LUG (V78189) 304-0317-000 (AP)		5
	P343-0285-000	2	SCREW,MACH, NP BRS, 4-40 X 1/4 (V77250)		6
			343-0285-000 (AP)		
82	12AT7	2	ELECTRON TUBE (V86684) 255-0205-000 V6		1

GROUP ASSEMBLY PARTS LIST

FIG - ITEM	PART NO	INDENT	DESCRIPTION	USABLE ON CODE	UNITS PER ASSY
6-2	83	12AT7	2 ELECTRON TUBE (V86684) 255-0205-000 V5		1
	84	TS103P01	2 SOCKET,ELECTRON (V81349) 220-1103-000 XV5 ,XV6		2
		P313-0051-000	2 NUT,PLAIN,HEX, NP BRS, 4-40 (V77250)		4
			313-0051-000 (AP)		
		MS35335-85	2 WASHER,LOCK, CD PL BRZ, 0.123 ID X 0.255 OD		4
			(V96906) 373-7010-000 (AP)		
		2104-04-01-2520N	2 TERMINAL,LUG (V78189) 304-0317-000 (AP)		4
		P343-0285-000	2 SCREW,MACH, NP BRS, 4-40 X 1/4 (V77250)		4
			343-0285-000 (AP)		
	85	541-6551-003	2 SHIELD,ELECTRON TUBE (EFF TO REV LTR DM)		1
	85	M24251-6-2	2 SHIELD,TUBE (V81349) 141-0591-000 (EFF REV LTR DM)		1
	86	541-6532-003	2 RETAINER, ELECTRON TUBE		1
	87	6DC6	2 ELECTRON TUBE (V86684) 255-0226-000 V7		1
	88	TS102P01	2 SOCKET,ELECTRON (V81349) 220-1111-000 XV7		1
		P343-0285-000	2 SCREW,MACH, NP BRS, 4-40 X 1/4 (V77250)		2
			343-0285-000 (AP)		
	89	3501FP	2 PHONO-JACK (V82389) 360-0148-000 J6		1
	90	3501FP	2 PHONO-JACK (V82389) 360-0148-000 J21		1
	91	3501FP	2 PHONO-JACK (V82389) 360-0148-000 J18		1
	92	3501FP	2 PHONO-JACK (V82389) 360-0148-000 J8		1
	93	3501FP	2 PHONO-JACK (V82389) 360-0148-000 J4		1
		1214-05	2 WASHER,LOCK, CD PL STL, 0.267 ID X 0.408 OD		5
			(V78189) 373-0087-000 (AP FOR 89-93)		
	94	P343-0311-000	2 SCREW,MACH, NP BRS, 8-32 X 1/2 (V77250)		1
			343-0311-000		
		MS35338-99	2 WASHER,SPRING, CD PL BRZ, 0.168 ID X 0.293 OD		1
			(V96906) 310-0098-000 (AP)		
		310-0058-000	2 WASHER,FLAT, BRS, 0.172 ID X 0.437 OD (V79807)		1
			310-0058-000 (AP)		
	95	20-3048	2 CONNECTOR,PLUG, ELEC (V02660) 372-1819-000		1
			(REPLACE WITH 609-1215-001)/10A/		
	95	609-1215-001	2 JUMPER, PLUG /10A/		1
	96	59-412-1000	2 SOCKET,ELECTRON (V02660) 220-1054-000 J17		1
		MS35335-85	2 WASHER,LOCK, CD PL BRZ, 0.123 ID X 0.255 OD		2
			(V96906) 373-7010-000 (AP)		
		2104-04-01-2520N	2 TERMINAL,LUG (V78189) 304-0317-000 (AP)		1
		P343-0285-000	2 SCREW,MACH, NP BRS, 4-40 X 1/4 (V77250)		2
			343-0285-000 (AP)		
	97	59-412-1000	2 SOCKET,ELECTRON (V02660) 220-1054-000 J24		1
		P313-0156-00	2 NUT,PLAIN,HEX, NP BRS, 4-40 (V77250)		4
			313-0156-000 (AP FOR 96-97)		
		MS35335-85	2 WASHER,LOCK, CD PL BRZ, 0.123 ID X 0.255 OD		4
			(V96906) 373-7010-000 (AP FOR 96-97)		
		2104-04-01-2520N	2 TERMINAL,LUG (V78189) 304-0317-000 (AP FOR 96-97)		1
		P343-0285-000	2 SCREW,MACH, NP BRS, 4-40 X 1/4 (V77250)		4
			343-0285-000 (AP FOR 96-97)		
	98	3501FP	2 PHONO-JACK (V82389) 360-0148-000 J9		1
	99	3501FP	2 PHONO-JACK (V82389) 360-0148-000 J7		1
	100	3501FP	2 PHONO-JACK (V82389) 360-0148-000 J10		1
		1214-05	2 WASHER,LOCK, CD PL STL, 0.267 ID X 0.408 OD		3
			(V78189) 373-0087-000 (AP FOR 98-100)		
	101	6A28	2 ELECTRON TUBE (V49671) 255-0333-000 V1		1
	102	59-412-1000	2 SOCKET,ELECTRON (V02660) 220-1054-000 XV1		1
		P343-0285-000	2 SCREW,MACH, NP BRS, 4-40 X 1/4 (V77250)		2
			343-0285-000 (AP)		
			2 ELECTRON TUBE (V49671) 255-0333-000 V3		1
	103	6A28	2 SOCKET,ELECTRON (V02660) 220-1054-000 XV3		1
	104	59-412-1000	2 SHIELD,ELECTRON TUBE (AP)		1
		542-5476-002	2 WASHER,LOCK, CD PL BRZ, 0.123 ID X 0.255 OD		2
		MS35335-85	(V96906) 373-7010-000 (AP)		
		P343-0285-000	2 SCREW,MACH, NP BRS, 4-40 X 1/4 (V77250)		2
			343-0285-000 (AP)		

section 6
parts list

GROUP ASSEMBLY PARTS LIST

FIG - ITEM	PART NO	INDENT	DESCRIPTION	USABLE ON CODE	UNITS PER ASSY
6-2 105	6EB8	2	ELECTRON TUBE (V82219) 255-0336-000 V16		1
106	59-412-1000	2	SOCKET,ELECTRON (V02660) 220-1054-000 XV16		1
	P313-0051-000	2	NUT,PLAIN,HEX, NP BRS, 4-40 (V77250)		1
			313-0051-000 (AP)		
	MS35335-85	2	WASHER,LOCK, CD PL BRZ, 0.123 ID X 0.255 OD (V96906) 373-7010-000 (AP)		2
	2104-04-01-2520N	2	TERMINAL,LUG (V78189) 304-0317-000 (AP)		3
	P343-0285-000	2	SCREW,MACH, NP BRS, 4-40 X 1/4 (V77250)		1
			343-0285-000 (AP)		
	P343-0286-000	2	SCREW,MACH, NP BRS, 4-40 X 5/16 (V77250)		1
			343-0286-000 (AP)		
107	6BN8	2	ELECTRON TUBE (V82219) 255-0335-000 V15		1
108	59-412-1000	2	SOCKET,ELECTRON (V02660) 220-1054-000 XV15		1
	P313-0051-000	2	NUT,PLAIN,HEX, NP BRS, 4-40 (V77250)		2
			313-0051-000 (AP)		
	MS35335-85	2	WASHER,LOCK, CD PL BRZ, 0.123 ID X 0.255 OD (V96906) 373-7010-000 (AP)		2
	2104-04-01-2520N	2	TERMINAL,LUG (V78189) 304-0317-000 (AP)		2
	P343-0285-000	2	SCREW,MACH, NP BRS, 4-40 X 1/4 (V77250)		1
			343-0285-000 (AP)		
	P343-0286-000	2	SCREW,MACH, NP BRS, 4-40 X 5/16 (V77250)		1
			343-0286-000 (AP)		
109	6U8A	2	ELECTRON TUBE (V82219) 255-0328-000 V2		1
110	59-412-1000	2	SOCKET,ELECTRON (V02660) 220-1054-000 XV2		1
	P313-0051-000	2	NUT,PLAIN,HEX, NP BRS, 4-40 (V77250)		1
			313-0051-000 (AP)		
	MS35335-85	2	WASHER,LOCK, CD PL BRZ, 0.123 ID X 0.255 OD (V96906) 373-7010-000 (AP)		2
	2104-04-01-2520N	2	TERMINAL,LUG (V78189) 304-0317-000 (AP)		3
	P343-0285-000	2	SCREW,MACH, NP BRS, 4-40 X 1/4 (V77250)		1
			343-0285-000 (AP)		
	P343-0286-000	2	SCREW,MACH, NP BRS, 4-40 X 5/16 (V77250)		1
			343-0286-000 (AP)		
111	3501FP	2	PHONO-JACK (V82389) 360-0148-000 J3		1
112	3501FP	2	PHONO-JACK (V82389) 360-0148-000 J11		1
113	3501FP	2	PHONO-JACK (V82389) 360-0148-000 J2		1
114	3501FP	2	PHONO-JACK (V82389) 360-0148-000 J16		1
115	3501FP	2	PHONO-JACK (V82389) 360-0148-000 J12		1
116	3501FP	2	PHONO-JACK (V82389) 360-0148-000 J19		1
117	3501FP	2	PHONO-JACK (V82389) 360-0148-000 J20		1
118	3501FP	2	PHONO-JACK (V82389) 360-0148-000 J5		1
	1214-05	2	WASHER,LOCK, CD PL STL, 0.267 ID X 0.408 OD (V78189) 373-0087-000 (AP FOR 111-118)		8
119	544-9729-003	2	SHIELD,COIL		3
	P313-0053-000	2	NUT,PLAIN,HEX, NP BRS, 6-32 (V77250)		6
			313-0053-000 (AP)		
	MS35338-98	2	WASHER,SPRING, CD PL BRZ, 0.141 ID X 0.250 OD (V96906) 310-0096-000 (AP)		6
120	544-2832-003	2	SHIELD,COIL		1
	P342-0153-000	2	SCREW,MACH, NP BRS, 4-40 X 5/16 (V77250)		1
			342-0153-000 (AP)		
	P343-0286-000	2	SCREW,MACH, NP BRS, 4-40 X 5/16 (V77250)		1
			343-0286-000 (AP)		
	MS35338-97	2	WASHER,SPRING, CD PL BRZ, 0.115 ID X 0.209 OD (V96906) 310-0095-000 (AP)		1
121	545-7786-003	2	STRIP,GROUNDING		1
122	545-7785-003	2	STRIP,GROUNDING		3
123	545-7784-003	2	STRIP,GROUNDING		1
124	544-7261-000	2	COVER,ASSY	B	1
	MS51959-14	2	SCREW,MACH, SST, 4-40 X 5/16 (V96906)		1
			342-0045-000 (AP)		
125	544-7265-002	3	PAD,XTAL	B	1

GROUP ASSEMBLY PARTS LIST

FIG - ITEM	PART NO	INDENT	DESCRIPTION	USABLE ON CODE	UNITS PER ASSY
6-2	126	290-9009-000	2 XTAL UNIT,QTZ, 6555.000KHZ (V32897) 290-9009-000 Y1		1
	127	290-9010-000	2 XTAL UNIT,QTZ, 6755.000KHZ (V32897) 290-9010-000 Y2		1
	128	290-9062-000	2 XTAL UNIT,QTZ, 8577.500KHZ (V32897) 290-9062-000 Y6		1
	129	290-9063-000	2 XTAL UNIT,QTZ, 8677.500KHZ (V32897) 290-9063-000 Y7		1
	130	290-9098-000	2 XTAL UNIT,QTZ, 12177.50KHZ (V32897) 290-9098-000 Y10		1
	131	290-9099-000	2 XTAL UNIT,QTZ, 12277.50KHZ (V32897) 290-9099-000 Y11		1
	132	290-9011-000	2 XTAL UNIT,QTZ, 6955.000KHZ (V32897) 290-9011-000 Y3		1
	133	S290-9201-000	2 XTAL UNIT,QTZ, 15827.50KHZ (V94148) 290-9201-000 Y12		1
	134	290-9066-000	2 XTAL UNIT,QTZ, 8977.500KHZ (V32897) 290-9066-000 Y8		1
	135	290-9027-000	2 XTAL UNIT,QTZ, 10155.00KHZ (V32897) 290-9027-000 Y4		1
	136	290-9097-000	2 XTAL UNIT,QTZ, 12077.50KHZ (V32897) 290-9097-000 Y9		1
	137	290-9028-000	2 XTAL UNIT,QTZ, 10355.00KHZ (V32897) 290-9028-000 Y5		1
	138	544-9711-002	2 SHAFT,BAND- SWITCH		1
		6-40X1-8 4SPLINE 416SST	2 SETSCREW, PSVT CRES, 6-40 X 0.125 (V08664) 328-0019-000 (AP)		2
	139	RCR20G680KS	2 RESISTOR,FXD, CMPSN, 68 OHMS, 10%, 1/2W (V81349) 745-1303-000 R38 /12/		1
	139	RCR20G221KS	2 RESISTOR,FXD, CMPSN, 220 OHMS, 10%, 1/2W (V81349) 745-1324-000 R38 /12/		1
	139	RCR20G151KS	2 RESISTOR,FXD, CMPSN, 150 OHMS, 10%, 1/2W (V81349) 745-1317-000 R38 /12/		1
	140	MS15571-2	2 LAMP,INCAND (V96906) 262-3240-000 DS1		1
	141	4159-043	2 LAMPHOLDER (V72765) 262-1210-000 XD51		1
	142	376-7202-000	2 RESISTOR,VAR, 500K, 30%, 1/4W (V71450) 376-7202-000 R39		1
	143	376-7202-000	2 RESISTOR,VAR, 500K, 30%, 1/4W (V71450) 376-7202-000 R45		1
		P334-4060-000	2 NUT,PLAIN,HEX, NP BRS 3/8-32 (V77250) 334-4060-000 (AP FOR 142-143)		2
		1720-02	2 WASHER,LOCK, SST, 0.391 ID X 0.507 OD (V78189) 373-0085-000 (AP FOR 142-143)		2
	144	RCR20G473KS	2 RESISTOR,FXD, CMPSN, 47K, 10%, 1/2W (V81349) 745-1422-000 R123		1
	145	WR5454	2 RESISTOR,VAR, 100K, 20%, 0.2W (V71450) 376-4622-000 R121		1
	146	WR5453	2 RESISTOR,VAR, 250 OHMS, 20%, 0.2W (V71450) 376-4621-000 R30		1
	147	WR5455	2 RESISTOR,VAR, 1K, 20%, 0.2W (V71450) 376-4623-000 R132 /20A/		1
	147	WR5451	2 RESISTOR,VAR, 2.5K, 30%, 0.2W (V71450) 376-4619-000 R132 /20A/		1
		P334-0253-00	2 NUT,PLAIN,HEX, NP BRS, 1/4-32 (V77250) 334-0253-000 (AP FOR 145-147)		3
		1214-05	2 WASHER,LOCK, CD PL STL, 0.267 ID X 0.408 OD (V78189) 373-0087-000 (AP FOR 145-147)		3
	148	544-9723-003	2 BRACKET,LIGHT		1
	149	540-9053-003	2 POST		2
	150	2104-04-01-2520N	2 TERMINAL,LUG (V78189) 304-0317-000		1
		P343-0285-000	2 SCREW,MACH, NP BRS, 4-40 X 1/4 (V77250) 343-0285-000 (AP FOR 149-150)		2
		MS35333-70	2 WASHER,LOCK, SST, 0.123 ID X 0.270 OD (V96906) 373-8510-000 (AP FOR 149-150)		1

section 6
parts list

GROUP ASSEMBLY PARTS LIST

FIG - ITEM	PART NO	INDENT	DESCRIPTION	USABLE ON CODE	UNITS PER ASSY
6-2 151	33C2	2	CAPACITOR,FXD, CER DIEI, 0.02UF, 20%, 500V (V56289) 913-2142-000 C216 /12/		1
152	526-9337-000	2	FILTER, MECHANICAL FL1 /13/		1
152	526-9427-000	2	FILTER, MECHANICAL FL1 /13/		1
153	CM05ED470J03	2	CAPACITOR,FXD, MICA DIEI, 47PF, 5%, 500V (V81349) 912-2792-000 C14		1
154	T50411	2	CAPACITOR,VAR, MICA DIEI, 7 TO 60 PF, 350V (V72136) 918-0052-000 C54		1
155	40C73A1	2	CAPACITOR,FXD, CER DIEI, 1000PF, 20%, 500V (V56289) 913-3009-000 C15		1
156	18-257	2	COIL,RF, 10MH (V09250) 240-0199-000 L2 /12/ (EFF TO REV LTR DN)		1
156	MS75089-35	2	COIL,RF, 10000UH (V96906) 240-2715-610 L2 (EFF REV LTR DN)		1
157	2104-04-01-2520N	2	TERMINAL,LUG (V78189) 304-0317-000		1
158	332-1403-165	2	TERMINAL BOARD (V71785) 306-0001-000		1
	P313-0156-00	2	NUT,PLAIN,HEX, NP BRS, 4-40 (V77250) 313-0156-000 (AP FOR 157-158)		1
	MS35338-97	2	WASHER,SPRING, CD PL BRZ, 0.115 ID X 0.209 OD (V96906) 310-0095-000 (AP FOR 157-158)		1
	P343-0285-000	2	SCREW,MACH, NP BRS, 4-40 X 1/4 (V77250) 343-0285-000 (AP FOR 157-158)		1
159	HP7N	2	CLAMP,LOOP (V09922) 150-1544-000		1
159	608-9615-001	2	CLIP /13/		1
	P313-0156-00	2	NUT,PLAIN,HEX, NP BRS, 4-40 (V77250) 313-0156-000 (AP)		1
	310-0054-000	2	WASHER,FLAT, BRS, 0.125 ID X 0.312 OD (V79807) 310-0054-000 (AP)		1
	P343-0285-000	2	SCREW,MACH, NP BRS, 4-40 X 1/4 (V77250) 343-0285-000 (AP)		1
	P313-0050-000	2	NUT,PLAIN,HEX, NP BRS, 2-56 (V77250) 313-0050-000 (AP)		1
	310-0053-000	2	WASHER,FLAT, BRS, 0.093 ID X 0.250 OD (V79807) 310-0053-000 (AP)		1
	P343-0299-000	2	SCREW,MACH, NP BRS, 2-56 X 1/4 (V77250) 343-0299-000 (AP)		1
160	544-9714-002	2	BRACKET ASSY, MTG /13/		1
160	606-9731-001	2	BRACKET ASSY, MTG /13/		1
	P343-0285-000	2	SCREW,MACH, NP BRS, 4-40 X 1/4 (V77250) 343-0285-000 (AP)		2
160A	544-3146-003	2	COVER,CHASSIS ASSY		1
	P343-0285-000	2	SCREW,MACH, NP BRS, 4-40 X 1/4 (V77250) 343-0285-000 (AP)		5
161	544-3125-002	2	SUPPRESSOR, PARASITIC		2
162	D236-13	3	LEAD,ELEC (V42498) 301-6000-000		2
163	543-8022-002	3	SUPPRESSOR, PARASITIC Z1		1
164	543-8022-002	3	SUPPRESSOR, PARASITIC Z2		1
165	61468	2	ELECTRON TUBE (V94154) 256-0149-000 V9		1
166	168-013-1000	2	SOCKET,ELECTRON (V02660) 220-1155-000 XV9		1
	P313-0140-000	2	NUT,PLAIN,HEX, NP BRS, 6-32 (V77250) 313-0140-000 (AP)		2
	MS35338-98	2	WASHER,SPRING, CD PL BRZ, 0.141 ID X 0.250 OD (V96906) 310-0096-000 (AP)		2
	2104-06-02-2520N	2	TERMINAL,LUG (V78189) 304-0318-000 (AP)		2
	P343-0329-000	2	SCREW,MACH, NP BRS, 6-32 X 5/16 (V77250) 343-0329-000 (AP)		2
167	61468	2	ELECTRON TUBE (V94154) 256-0149-000 V10		1
168	168-013-1000	2	SOCKET,ELECTRON (V02660) 220-1155-000 XV10		1
	P313-0140-000	2	NUT,PLAIN,HEX, NP BRS, 6-32 (V77250) 313-0140-000 (AP)		2
	310-0097-000	2	WASHER,LOCK, CD PL BRZ, 0.141 ID X 0.239 OD (V79807) 310-0097-000 (AP)		2

GROUP ASSEMBLY PARTS LIST

FIG - ITEM	PART NO	INDENT	DESCRIPTION	USABLE ON CODE	UNITS PER ASSY
6-2	2104-06-02-2520N	2	TERMINAL,LUG (V78189) 304-0318-000 (AP)		1
	P343-0329-000	2	SCREW,MACH, NP BRS, 6-32 X 5/16 (V77250) 343-0329-000 (AP)		1
169	DA855-010	2	CAPACITOR,FXD, CER DIEI, 10PF, 10%, 5000V (V71590) 913-0972-000 C180 /33/		1
169	2DHT54T150JAA	2	CAPACITOR,FXD, CER DIEI, 15PF, 5%, 5000V (V21052) 913-1401-000 C180 /33/		1
170	RCR32G474KS	2	RESISTOR,FXD, CMPSN, 0.47MEGO, 10%, 1W (V81349) 745-3464-000 R127		1
171	SK10066S	2	CAPACITOR,FXD, MICA DIEI, 1000PF, 10%, 500V (V72982) 912-5232-000 C123		1
171A	DM15C120K500WV4C R	2	CAPACITOR,FXD, MICA DIEI, 12PF, 10%, 500V (V72136) 912-2757-000 C270 /33/		1
172	DA172-057CB	2	CAPACITOR,FXD, CER DIEI, 0.001UF, M20%P100%, 2000V (V71590) 913-3537-000 C183 CR		1
172	858W5T2KV1KPFPOR M20PCT	2	CAPACITOR,FXD, CER DIEI, 1000PF, 20%, 2000V (V72982) 913-4803-000 C183		1
173	858W5T2KV1KPFPOR M20PCT	2	CAPACITOR,FXD, CER DIEI, 1000PF, 20%, 2000V (V72982) 913-4803-000 C148		1
174	858W5T2KV1KPFPOR M20PCT	2	CAPACITOR,FXD, CER DIEI, 1000PF, 20%, 2000V (V72982) 913-4803-000 C149		1
175	M24251-6-6	2	SHIELD,TUBE (V81349) 141-0595-000		1
176	6CL6	2	ELECTRON TUBE (V86684) 254-0931-000 V8		1
177	TS103P01	2	SOCKET,ELECTRON (V81349) 220-1103-000 XV8		1
	542-5476-002	2	SHIELD (AP)		1
	MS35335-85	2	WASHER,LOCK, CD PL BRZ, 0.123 ID X 0.255 OD (V96906) 373-7010-000 (AP)		2
	2104-04-01-2520N	2	TERMINAL,LUG (V78189) 304-0317-000 (AP)		1
	P343-0285-000	2	SCREW,MACH, NP BRS, 4-40 X 1/4 (V77250) 343-0285-000 (AP)		2
178	2557-018-8-50E	2	CAPACITOR,VAR, CER DIEI, 8 TO 75PF, 350V (V72982) 922-1075-000 C184 (EFF THRU MCN 6468)		1
178	160-104-3	2	CAPACITOR,VAR, AIR DIEI, 2.2 TO 8.1PF, 1250V (V71313) 922-0031-000 C184 (EFF MCN 6469)		1
	P313-0156-00	2	NUT,PLAIN,HEX, NP BRS, 4-40 (V77250) 313-0156-000 (AP)		2
	P343-0285-000	2	SCREW,MACH, NP BRS, 4-40 X 1/4 (V77250) 343-0285-000 (AP)		2
179	240-0194-000	2	COIL,RF, 120UH (V82142) 240-0194-000 L28 (EFF TO REV LTR DJ)		1
179	MS75103-10	2	COIL,RF, 120UH (V96906) 240-1627-000 L28 (EFF REV LTR DJ)		1
180	240-0194-000	2	COIL,RF, 120UH (V82142) 240-0194-000 L32 (EFF TO REV LTR DJ)		1
180	MS75103-10	2	COIL,RF, 120UH (V96906) 240-1627-000 L32 (EFF REV LTR DJ)		1
181	332-14-02-001	2	TERMINAL BOARD (V71785) 306-0002-000		1
	P313-0051-000	2	NUT,PLAIN,HEX, NP BRS, 4-40 (V77250) 313-0051-000 (AP)		1
	MS35335-85	2	WASHER,LOCK, CD PL BRZ, 0.123 ID X 0.255 OD (V96906) 373-7010-000 (AP)		1
	P343-0286-000	2	SCREW,MACH, NP BRS, 4-40 X 5/16 (V77250) 343-0286-000 (AP)		1
182	544-3124-002	2	STRAP,PLATE		1
183	543-8024-000	2	COIL,RF L17		1
	P343-0307-000	2	SCREW,MACH, NP BRS, 8-32 X 1/4 (V77250) 343-0307-000 (AP FOR 182-183)		2
	302-0030-000	2	WASHER,NM, CK NPRN, 0.172 ID X 0.500 OD (V05284) 302-0030-000 (AP FOR 182-183)		2
184	39003	2	COUPLING,SHAFT (V76487) 015-0257-000		1
	6-32X1-8 6SPLINE 416SST	2	SETSCREW, SST, 6-32 X 1/8 (V08664) 328-0507-010 (AP)		2

section 6
parts list

GROUP ASSEMBLY PARTS LIST

FIG - ITEM	PART NO	INDENT	DESCRIPTION	USABLE ON CODE	UNITS PER ASSY
6-2	185	544-9706-002	2 HOUSING, SHAFT		1
	186	544-9707-002	2 SHAFT, TUNING		1
	187	543-7739-000	2 PULLEY		2
		328-0512-010	2 SETSCREW, SST, 6-40 X 0.125 (V08664)		4
			328-0512-010 (AP)		
	188	432-1009-00	2 CABLE, SP, ELEC (V94452) 432-1009-000		AR
	189	544-9701-000	2 COIL, RF L18		1
	190	9404-11-20026	2 CAPACITOR, VAR, AIR DIELECT, 13.5 TO 244PF, 1000V (V71313) 920-0136-000 C150		1
		P325-0062-000	2 SCREW, MACH, SST, 6-32 X 1/4 (V77250)		2
			325-0062-000 (AP)		
		MS35338-98	2 WASHER, SPRING, CD PL BRZ, 0.141 ID X 0.250 OD (V96906) 310-0096-000 (AP)		2
		2104-06-02-2520N	2 TERMINAL, LUG (V78189) 304-0318-000 (AP)		1
		P334-4060-000	2 NUT, PLAIN, HEX, NP BRS 3/8-32 (V77250)		2
			334-4060-000 (AP) (IF NOT SUPPLIED WITH C150)		
		AN960C616	2 WASHER, FLAT, SST, 0.390 ID X 0.625 OD (V81350)		2
			310-0540-000 (AP) (IF NOT SUPPLIED WITH C150)		
	191	02242	2 COIL, RF, 2.5MH (V96256) 240-2100-000 L21		1
	191	34103	2 COIL, RF, 2.5MH (V76487) 240-0059-000 L21		1
	192	920-0138-000	2 CAPACITOR, VAR, AIR DIELECT, 13.5 TO 452.3PF EA SECT, (V80486) 920-0138-000 C151		1
		P325-0062-000	2 SCREW, MACH, SST, 6-32 X 1/4 (V77250)		3
			325-0062-000 (AP)		
		310-0077-000	2 WASHER, LOCK, BRZ, 0.141 ID X 0.253 OD (V79807)		3
			310-0077-000 (AP)		
			OR		
		310-0055-000	2 WASHER, FLAT, BRS, 0.147 ID X 0.312 OD (V79807)		3
			310-0055-000 (AP)		
	193	905	2 GRUMMET, RBR (V75543) 201-1060-000		1
	194	544-9719-003	2 BRACKET, MTG		1
		330-0731-000	2 SCREW, TPG, THD, CD PL STL, 4-24 X 1/4 (V45722)		4
			330-0731-000 (AP)		
		310-0054-000	2 WASHER, FLAT, BRS, 0.125 ID X 0.312 OD (V79807)		4
			310-0054-000 (AP)		
		2104-04-01-2520N	2 TERMINAL, LUG (V78189) 304-0317-000 (AP)		1
	195	4040-2HT	2 TERMINAL, LUG (V77147) 304-0014-000 /13/		1
	196	5048	2 EYELET, MTLC, BRS, 0.110 DIA X 0.453 (V01881)		1
			307-1091-000		
	197	RTMT12M	2 TERMINAL, STUD (V91663) 306-0976-000		1
	198	544-0467-002	2 SPRING		1
	199	541-5985-002	2 SPACER		1
		310-0054-000	2 WASHER, FLAT, BRS, 0.125 ID X 0.312 OD (V79807)		2
			310-0054-000 (AP FOR 197-199)		
		MS35338-97	2 WASHER, SPRING, CD PL BRZ, 0.115 ID X 0.209 OD (V96906) 310-0095-000 (AP FOR 197-199)		1
	200	506-7848-002	2 COIL, RF L19		1
		P343-0328-000	2 SCREW, MACH, NP BRS, 6-32 X 1/4 (V77250)		2
			343-0328-000 (AP)		
	201	KR2565-1	2 RELAY, AMT (V77342) 970-1914-000 K3		1
		P313-0053-000	2 NUT, PLAIN, HEX, NP BRS, 6-32 (V77250)		1
			313-0053-000 (AP)		
	202	36C175A	2 CAPACITOR, FXD, CER DIELECT, 10000PF, 20%, 500V (V56289) 913-3013-000 C212		1
	203	88130CK	2 SWITCH SECT, RTR (V76854) 269-1982-000 S8		1
	204	88128CK	2 SWITCH SECT, RTR (V76854) 269-1981-000 S7		1
	205	8980-2 1-4	2 SPACER, SLV (V76854) 269-1403-000		4
	206	8980-2 1-4	2 SPACER, SLV (V76854) 269-1403-000		4
		P313-0156-00	2 NUT, PLAIN, HEX, NP BRS, 4-40 (V77250)		2
			313-0156-000 (AP FOR 203-206)		
		8942	2 WASHER, NM, PHEN, 0.116 ID X 0.187 OD (V76854)		2
			302-0262-000 (AP FOR 203-206)		
		310-0054-000	2 WASHER, FLAT, BRS, 0.125 ID X 0.312 OD (V79807)		2
			310-0054-000 (AP FOR 203-206)		

GROUP ASSEMBLY PARTS LIST

FIG - ITEM	PART NO	INDENT	DESCRIPTION	USABLE ON CODE	UNITS PER ASSY
6-2	P343-0292-000	2	SCREW,MACH, NP BRS, 4-40 X 7/8 (V77250) 343-0292-000 (AP FOR 203-206)		2
207	544-3130-002	2	BRACKET,MTG		1
	P313-0156-00	2	NUT,PLAIN,HEX, NP BRS, 4-40 (V77250) 313-0156-000 (AP)		2
	MS35338-97	2	WASHER,SPRING, CD PL BRZ, 0.115 ID X 0.209 OD (V96906) 310-0095-000 (AP)		2
	310-0054-000	2	WASHER,FLAT, BRS, 0.125 ID X 0.312 OD (V79807) 310-0054-000 (AP)		2
	P343-0286-000	2	SCREW,MACH, NP BRS, 4-40 X 5/16 (V77250) 343-0286-000 (AP)		2
208	544-9694-000	2	SHIELD,PA		1
	P343-0285-000	2	SCREW,MACH, NP BRS, 4-40 X 1/4 (V77250) 343-0285-000 (AP)		5
209	913-3829-000	2	CAPACITOR,FXD, CER DIEL, 0.01UF, GMV, 500V (V71590) 913-3829-000 C132 ,C147 (DUAL CAPACITOR)		1
210	1N1490	2	SEMICOND DEVICE (V93983) 353-1659-000 CR7		1
211	RCR20G120KS	2	RESISTOR,FXD, CMPSN, 12 OHMS, 10%, 1/2W (V81349) 745-1272-000 R112		1
212	331013X5U0501K	2	CAPACITOR,FXD, CER DIEL, 500PF, 10%, 500V (V72982) 913-0998-000 C143		1
213	RCR42G821KS	2	RESISTOR,FXD, CMPSN, 820 OHMS, 10%, 2W (V81349) 745-5649-000 R148 (EFF TO REV LTR DN)		1
213	RW67V821	2	RESISTOR,FXD,WW 820 OHMS, 5%, 6.5W (V81349) 747-5458-000 R148 (EFF REV LTR DN)		1
214	546-4009-002	2	CHANNEL,CABLE		1
	P313-0156-00	2	NUT,PLAIN,HEX, NP BRS, 4-40 (V77250) 313-0156-000 (AP)		2
	MS35338-97	2	WASHER,SPRING, CD PL BRZ, 0.115 ID X 0.209 OD (V96906) 310-0095-000 (AP)		2
	310-0054-000	2	WASHER,FLAT, BRS, 0.125 ID X 0.312 OD (V79807) 310-0054-000 (AP)		2
	P342-0153-000	2	SCREW,MACH, NP BRS, 4-40 X 5/16 (V77250) 342-0153-000 (AP)		2
215	331013X5U0501K	2	CAPACITOR,FXD, CER DIEL, 500PF, 10%, 500V (V72982) 913-0998-000 C144		1
216	PW7-15000-10PCT	2	RESISTOR,FXD,WW 15K, 10%, 7W (V07716) 710-9001-000 R146		1
217	36C175A	2	CAPACITOR,FXD, CER DIEL, 10000PF, 20%, 500V (V56289) 913-3013-000 C139		1
218	RCR20G120KS	2	RESISTOR,FXD, CMPSN, 12 OHMS, 10%, 1/2W (V81349) 745-1272-000 R113		1
219	548-8217-000	2	SUPPRESSOR, PARASITIC Z6		1
220	RCR20G120KS	2	RESISTOR,FXD, CMPSN, 12 OHMS, 10%, 1/2W (V81349) 745-1272-000 R114		1
221	331013X5U0501K	2	CAPACITOR,FXD, CER DIEL, 500PF, 10%, 500V (V72982) 913-0998-000 C145		1
222	9348	2	COIL,RF, 2MH (V24226) 240-0134-000 L12		1
223	33C2	2	CAPACITOR,FXD, CER DIEL, 0.02UF, 20%, 500V (V56289) 913-2142-000 C260		1
224	44C7A	2	CAPACITOR,FXD, CER DIEL, 4700PF, 20%, 500V (V56289) 913-3012-000 C127		1
225	RCR20G151KS	2	RESISTOR,FXD, CMPSN, 150 OHMS, 10%, 1/2W (V81349) 745-1317-000 R106		1
226	RCR20G101KS	2	RESISTOR,FXD, CMPSN, 100 OHMS, 10%, 1/2W (V81349) 745-1310-000 R104		1
227	36C175A	2	CAPACITOR,FXD, CER DIEL, 10000PF, 20%, 500V (V56289) 913-3013-000 C126		1
228	240-0186-000	2	COIL,RF, 22UH (V82142) 240-0186-000 L23 (EFF TO REV LTR DJ)		1
228	MS75103-1	2	COIL,RF, 22UH (V96906) 240-1619-000 L23 (EFF REV LTR DJ)		1

section 6
parts list

GROUP ASSEMBLY PARTS LIST

FIG - ITEM	PART NO	INDENT	DESCRIPTION	USABLE ON CODE	UNITS PER ASSY
6-2	229	CC20CK010C	2 CAPACITOR,FXD, CER DIEI, 1PF, 1/4PF, 500V (V81349) 916-0070-000 C118		1
	230	542-5476-002	2 SHIELD,SOCKET		1
	231	820-0171-00	2 SILVER RIBBON (V94084) 820-0171-000		AR
	232	DM15E270K500WV4C R	2 CAPACITOR,FXD, MICA DIEI, 27PF, 10%, 500V (V72136) 912-2775-000 C97 /32/		1
	232	CM05ED390J03	2 CAPACITOR,FXD, MICA DIEI, 39PF, 5%, 500V (V81349) 912-2786-000 C97 /32/		1
	233	557-018-1-5-7A	2 CAPACITOR,VAR, CER DIEI, 1.5 TO 10.5PF, 350V (V72982) 917-1071-000 C117		1
	234	557006U2P034R	2 CAPACITOR,VAR, 8 TO 50PF, 350V (V72982) 917-1196-000 C120		1
		P313-0156-00	2 NUT,PLAIN,HEX, NP BRS, 4-40 (V77250) 313-0156-000 (AP FOR 233-234)		4
		P343-0285-000	2 SCREW,MACH, NP BRS, 4-40 X 1/4 (V77250) 343-0285-000 (AP FOR 233-234)		4
	235	CK61AW222M	2 CAPACITOR,FXD, CER DIEI, 2200PF, 20%, 500V (V81349) 913-1192-000 C124		1
	236	41C92	2 CAPACITOR,FXD, CER DIEI, 0.1UF, M20%P80%, 500V (V01939) 913-3152-000 C227		1
	237	544-9700-000	2 COIL,RF L29		1
	238	RCR42G223KS	2 RESISTOR,FXD, CMPSN, 22K, 10%, 2W (V81349) 745-5708-000 R105 /31/		1
	238	RCR32G123KS	2 RESISTOR,FXD, CMPSN, 12K, 10%, 1W (V81349) 745-3398-000 R105 /31/		1
	239	327-029X5T0102Z	2 CAPACITOR,FXD, CER DIEI, 1000PF, M20%P80%, 500V (V72982) 913-1292-000 C241		1
	240	327-029X5T0102Z	2 CAPACITOR,FXD, CER DIEI, 1000PF, M20%P80%, 500V (V72982) 913-1292-000 C82		1
	241	327-029X5T0102Z	2 CAPACITOR,FXD, CER DIEI, 1000PF, M20%P80%, 500V (V72982) 913-1292-000 C230		1
	242	327-029X5T0102Z	2 CAPACITOR,FXD, CER DIEI, 1000PF, M20%P80%, 500V (V72982) 913-1292-000 C5		1
	243	327-029X5T0102Z	2 CAPACITOR,FXD, CER DIEI, 1000PF, M20%P80%, 500V (V72982) 913-1292-000 C228		1
		P313-0149-000	2 NUT,PLAIN,HEX, NP BRS, 1/4-28 (V77250) 313-0149-000 (AP FOR 239-243)		5
		1214-05	2 WASHER,LOCK, CD PL STL, 0.267 ID X 0.408 OD (V78189) 373-0087-000 (AP FOR 239-243)		5
	244	33C2	2 CAPACITOR,FXD, CER DIEI, 0.02UF, 20%, 500V (V56289) 913-2142-000 C269		1
	245	544-9699-000	2 COIL,RF L34		1
	246	331013X5U0501K	2 CAPACITOR,FXD, CER DIEI, 500PF, 10%, 500V (V72982) 913-0998-000 C142		1
	247	331013X5U0501K	2 CAPACITOR,FXD, CER DIEI, 500PF, 10%, 500V (V72982) 913-0998-000 C140		1
	248	36C175A	2 CAPACITOR,FXD, CER DIEI, 10000PF, 20%, 500V (V56289) 913-3013-000 C229		1
	249	RCR20G120KS	2 RESISTOR,FXD, CMPSN, 12 OHMS, 10%, 1/2W (V81349) 745-1272-000 R109		1
	250	544-9699-000	2 COIL,RF L30		1
	251	RCR20G120KS	2 RESISTOR,FXD, CMPSN, 12 OHMS, 10%, 1/2W (V81349) 745-1272-000 R111		1
	252	548-8217-000	2 SUPPRESSOR, PARASITIC Z7		1
	253	331013X5U0501K	2 CAPACITOR,FXD, CER DIEI, 500PF, 10%, 500V (V72982) 913-0998-000 C141		1
	254	RCR20G120KS	2 RESISTOR,FXD, CMPSN, 12 OHMS, 10%, 1/2W (V81349) 745-1272-000 R110		1
	255	36C175A	2 CAPACITOR,FXD, CER DIEI, 10000PF, 20%, 500V (V56289) 913-3013-000 C146		1
	256	CC20CK010C	2 CAPACITOR,FXD, CER DIEI, 1PF, 1/4PF, 500V (V81349) 916-0070-000 C138		1

GROUP ASSEMBLY PARTS LIST

FIG - ITEM	PART NO	INDENT	DESCRIPTION	USABLE ON CODE	UNITS PER ASSY
6-2	257	RCR20G102KS	2 RESISTOR,FXD, CMPSN, 1K, 10%, 1/2W (V81349) 745-1352-000 R129		1
	258	RCR20G222KS	2 RESISTOR,FXD, CMPSN, 2.2K, 10%, 1/2W (V81349) 745-1366-000 R161 /34/		AR
	258	RCR20G272KS	2 RESISTOR,FXD, CMPSN, 2.7K, 10%, 1/2W (V81349) 745-1370-000 R161 /34/		AR
	258	RCR20G332KS	2 RESISTOR,FXD, CMPSN, 3.3K, 10%, 1/2W (V81349) 745-1373-000 R161 /34/		AR
	258	RCR20G392KS	2 RESISTOR,FXD, CMPSN, 3.9K, 10%, 1/2W (V81349) 745-1377-000 R161 /34/		AR
	258	RCR20G472KS	2 RESISTOR,FXD, CMPSN, 4.7K, 10%, 1/2W (V81349) 745-1380-000 R161 /34/		AR
	258	RCR20G562KS	2 RESISTOR,FXD, CMPSN, 5.6K, 10%, 1/2W (V81349) 745-1384-000 R161 /34/		AR
	258	RCR20G682KS	2 RESISTOR,FXD, CMPSN, 6.8K, 10%, 1/2W (V81349) 745-1387-000 R161 /34/		AR
	258	RCR20G822KS	2 RESISTOR,FXD, CMPSN, 8.2K, 10%, 1/2W (V81349) 745-1391-000 R161 /34/		AR
	258	RCR20G103KS	2 RESISTOR,FXD, CMPSN, 10K, 10%, 1/2W (V81349) 745-1394-000 R161 /34/		AR
	258	RCR20G123KS	2 RESISTOR,FXD, CMPSN, 12K, 10%, 1/2W (V81349) 745-1398-000 R161 /34/		AR
	259	RCR20G470KS	2 RESISTOR,FXD, CMPSN, 47 OHMS, 10%, 1/2W (V81349) 745-1296-000 R21		AR
	260	332-14-04-022	2 TERMINAL BOARD (V71785) 306-9032-000 TS1		1
	261	52A	2 TERMINAL BOARD (V71785) 306-9033-000 TS2		1
		330-0731-000	2 SCREW,TPG,THD, CD PL STL, 4-24 X 1/4 (V45722) 330-0731-000 (AP)		1
	262	332-14-02-C01	2 TERMINAL BOARD (V71785) 306-0002-000 TS9		1
	263	G2522	2 TERMINAL,FEEDTH (V21242) 306-0323-000 (EFF TO REV LTR N)		2
	263	DP234-258A	2 TERMINAL,STUD (V21242) 306-0788-030 (EFF REV LTR N)		2
	264	913-3829-000	2 CAPACITOR,FXD, CER DIEI, 0.01UF, GMV, 500V (V71590) 913-3829-000 C197 ,C200 (DUAL CAPACITOR)		1
	265	36C175A	2 CAPACITOR,FXD, CER DIEI, 10000PF, 20%, 500V (V56289) 913-3013-000 C201		1
	266	913-3829-000	2 CAPACITOR,FXD, CER DIEI, 0.01UF, GMV, 500V (V71590) 913-3829-000 C191 ,C192 (DUAL CAPACITOR)		1
	267	913-3829-000	2 CAPACITOR,FXD, CER DIEI, 0.01UF, GMV, 500V (V71590) 913-3829-000 C198 ,C199(DUAL CAPACITOR)		1
	268	WR5453	2 RESISTOR,VAR, 250 OHMS, 20%, 0.2W (V71450) 376-4621-000 R24		1
		P334-0253-00	2 NUT,PLAIN,HEX, NP BRS, 1/4-32 (V77250) 334-0253-000 (AP)		1
		1214-05	2 WASHER,LOCK, CD PL STL, 0.267 ID X 0.408 OD (V78189) 373-0087-000 (AP)		1
	269	913-3829-000	2 CAPACITOR,FXD, CER DIEI, 0.01UF, GMV, 500V (V71590) 913-3829-000 C250 ,C251(DUAL CAPACITOR)		1
	270	36C175A	2 CAPACITOR,FXD, CER DIEI, 10000PF, 20%, 500V (V56289) 913-3013-000 C156		1
	271	36C175A	2 CAPACITOR,FXD, CER DIEI, 10000PF, 20%, 500V (V56289) 913-3013-000 C195		1
	272	913-3829-000	2 CAPACITOR,FXD, CER DIEI, 0.01UF, GMV, 500V (V71590) 913-3829-000 C246 ,C247(DUAL CAPACITOR)		1
	273	RCR42G103KS	2 RESISTOR,FXD, CMPSN, 10K, 10%, 2W (V81349) 745-5694-000 R142		1
	274	RCR20G121KS	2 RESISTOR,FXD, CMPSN, 120 OHMS, 10%, 1/2W (V81349) 745-1314-000 R23		1
	275	545-7605-002	2 SHELL, ELECTRICAL CONNECTOR		1

section 6
parts list

GROUP ASSEMBLY PARTS LIST

FIG - ITEM	PART NO	INDENT	DESCRIPTION	USABLE ON CODE	UNITS PER ASSY
6-2	276	86CP9-1003	2 CONNECTOR, PLUG, ELEC (V02660) 372-1951-000 J25		1
		MS35649-244	2 NUT, PLAIN, HEX, SST, 4-40 (V96906) 313-0043-000 (AP FOR 275-276)		2
		MS35335-85	2 WASHER, LOCK, CD PL BRZ, 0.123 ID X 0.255 OD (V96906) 373-7010-000 (AP FOR 275-276)		2
		546-8005-002	2 SPACER (AP FOR 275-276)		2
		P330-2292-000	2 SCREW, MACH, SST, 4-40 X 3/8 (V77250) 330-2292-000 (AP FOR 275-276)		2
	277	913-3829-000	2 CAPACITOR, FXD, CER DIE, 0.01UF, GMV, 500V (V71590) 913-3829-000 C244 ,C245 (DUAL CAPACITOR)		1
	278	MS90540-07	2 COIL, RF, 2000UH (V96906) 240-2547-000 L1		1
	279	36C175A	2 CAPACITOR, FXD, CER DIE, 10000PF, 20%, 500V (V56289) 913-3013-000 C18		1
	280	40C73A1	2 CAPACITOR, FXD, CER DIE, 1000PF, 20%, 500V (V56289) 913-3009-000 C219 /15/		1
	280	DM15F101K500WV4C	2 CAPACITOR, FXD, MICA DIE, 100PF, 10%, 500V (V72136) 912-2817-000 C219 /15/		1
	281	36C175A	2 CAPACITOR, FXD, CER DIE, 10000PF, 20%, 500V (V56289) 913-3013-000 C252		1
	282	913-3829-000	2 CAPACITOR, FXD, CER DIE, 0.01UF, GMV, 500V (V71590) 913-3829-000 C242 ,C243 (DUAL CAPACITOR)		1
	283	DM15E330K500WV4C	2 CAPACITOR, FXD, MICA DIE, 33PF, 10%, 500V (V72136) 912-2781-000 C16		1
	284	4422-10-38	2 COIL, RF, 33UH (V82142) 240-0170-000 L20		1
	285	RCR07G105KS	2 RESISTOR, FXD, CMPSN, 1MEGC, 10%, 1/4W (V81349) 745-0857-000 R212 /14/		1
	286	CM05FD221J03	2 CAPACITOR, FXD, MICA DIE, 220PF, 5%, 500V (V81349) 912-2840-000 C217		1
	287	CM05FD221J03	2 CAPACITOR, FXD, MICA DIE, 220PF, 5%, 500V (V81349) 912-2840-000 C218		1
	288	6H12	2 TERMINAL BOARD (V82893) 306-0909-000		1
		P343-0328-000	2 SCREW, MACH, NP BRS, 6-32 X 1/4 (V77250) 343-0328-000 (AP)		1
		MS35338-98	2 WASHER, SPRING, CD PL BRZ, 0.141 ID X 0.250 OD (V96906) 310-0096-000 (AP)		1
	289	36C175A	2 CAPACITOR, FXD, CER DIE, 10000PF, 20%, 500V (V56289) 913-3013-000 C19		1
	290	RCR07G474KS	2 RESISTOR, FXD, CMPSN, 0.47MEGO, 10%, 1/4W (V81349) 745-0845-000 R26		1
	291	40C73A1	2 CAPACITOR, FXD, CER DIE, 1000PF, 20%, 500V (V56289) 913-3009-000 C23		1
	292	RCR07G104KS	2 RESISTOR, FXD, CMPSN, 0.10MEGO, 10%, 1/4W (V81349) 745-0821-000 R59		1
	293	RCR07G684KS	2 RESISTOR, FXD, CMPSN, 0.68MEGC, 10%, 1/4W (V81349) 745-0851-000 R118		1
	293A	CM05ED220J03	2 CAPACITOR, FXD, MICA DIE, 22PF, 5%, 500V (V81349) 912-2768-000 C22		1
	294	36C175A	2 CAPACITOR, FXD, CER DIE, 10000PF, 20%, 500V (V56289) 913-3013-000 C42		1
	295	40C73A1	2 CAPACITOR, FXD, CER DIE, 1000PF, 20%, 500V (V56289) 913-3009-000 C186		1
	296	18-257	2 COIL, RF, 10MH (V09250) 240-0199-000 L33 /12/		1
	297	RCR20G102KS	2 RESISTOR, FXD, CMPSN, 1K, 10%, 1/2W (V81349) 745-1352-000 R58		1
	298	36C175A	2 CAPACITOR, FXD, CER DIE, 10000PF, 20%, 500V (V56289) 913-3013-000 C20		1
	299	RCR20G224KS	2 RESISTOR, FXD, CMPSN, 0.22MEGO, 10%, 1/2W (V81349) 745-1450-000 R193 /19/		1
	299	RCR07G105KS	2 RESISTOR, FXD, CMPSN, 1MEGC, 10%, 1/4W (V81349) 745-0857-000 R193 /19/		1

GROUP ASSEMBLY PARTS LIST

FIG - ITEM	PART NO	INDENT	DESCRIPTION	USABLE ON CODE	UNITS PER ASSY
6-2	300	1N458	2 SEMICOND DEVICE (V14140) 353-0205-000 CR9 /19/		1
	301	RCR32G104KS	2 RESISTOR,FXD, CMPSN, 0.10MEGO, 10%, 1W (V81349) 745-3436-000 R194 /19/		1
	301	RCR20G474KS	2 RESISTOR,FXD, CMPSN, 0.47MEGO, 10%, 1/2W (V81349) 745-1464-000 R194 /19/		1
	302	MS90538-20	2 COIL,RF, 220UH (V96906) 240-2524-000 L24		1
	303	RCR07G684KS	2 RESISTOR,FXD, CMPSN, 0.68MEGO, 10%, 1/4W (V81349) 745-0851-000 R184		1
	304	36C175A	2 CAPACITOR,FXD, CER DIEI, 10000PF, 20%, 500V (V56289) 913-3013-000 C158		1
	305	8131M203-651-104 Z	2 CAPACITOR,FXD, CER DIEI, 0.1UF, M20XP80%, 200V (V72982) 913-3681-000 C157		1
	306	RCR20G121KS	2 RESISTOR,FXD, CMPSN, 120 OHMS, 10%, 1/2W (V81349) 745-1314-000 R25		1
	307	2DD63G104XAA	2 CAPACITOR,FXD, CER DIEI, 1UF, M30XP80%, 75V (V71590) 913-3794-000 C159		1
	308	RCR20G222KS	2 RESISTOR,FXD, CMPSN, 2.2K, 10%, 1/2W (V81349) 745-1366-000 R115		1
	309	543-8123-000	2 COIL,RF L13		1
	310	RCR20G183KS	2 RESISTOR,FXD, CMPSN, 18K, 10%, 1/2W (V81349) 745-1405-000 R178		1
	311	CM05FD221J03	2 CAPACITOR,FXD, MICA DIEI, 220PF, 5%, 500V (V81349) 912-2840-000 C131		1
	312	DM15E510K500WV4C R	2 CAPACITOR,FXD, MICA DIEI, 51PF, 10%, 500V (V72136) 912-2796-000 C128		1
	313	RCR20G123KS	2 RESISTOR,FXD, CMPSN, 12K, 10%, 1/2W (V81349) 745-1398-000 R179		1
	314	2A10B15	2 TERMINAL STDF (V92825) 306-0234-000		1
		P343-0284-CC0	2 SCREW,MACH, NP BRS, 4-40 X 3/16 (V77250) 343-0284-000 (AP)		1
	315	543-8028-002	2 COIL,RF L14		1
	316	88216CK	2 SWITCH SECT,RTR (V76854) 269-1983-000 S6		1
		P313-0154-C0	2 NUT,PLAIN,HEX, NP BRS, 3/8-24 (V77250) 313-0154-000 (AP)		2
		8942	2 WASHER,NM, PHEN, 0.116 ID X 0.187 OD (V76854) 302-0262-000 (AP)		2
		8980-2 3-16	2 SPACER,SLV (V76854) 269-1402-000 (AP)		2
		310-0054-000	2 WASHER,FLAT, BRS, 0.125 ID X 0.312 OD (V79807) 310-0054-000 (AP)		2
		P343-0289-C00	2 SCREW,MACH, NP BRS, 4-40 X 1/2 (V77250) 343-0289-000 (AP)		2
	317	DM15E330K500WV4C R	2 CAPACITOR,FXD, MICA DIEI, 33PF, 10%, 500V (V72136) 912-2781-000 C135 /31/		1
	317	CM05ED2C0J03	2 CAPACITOR,FXD, MICA DIEI, 20PF, 5%, 500V (V81349) 912-2765-000 C135 /31/		1
	318	CM05FD131J03	2 CAPACITOR,FXD, MICA DIEI, 130PF, 5%, 500V (V81349) 912-2825-000 C133 /31/		1
	318	CM04FD111G03	2 CAPACITOR,FXD, MICA DIEI, 110PF, 2%, 500V (V81349) 912-3883-000 C133 /31/		1
	319	544-3126-002	2 BRACKET,SWITCH		1
		330-0731-000	2 SCREW,TPG,THD, CD PL STL, 4-24 X 1/4 (V45722) 330-0731-000		2
	320	CM05FD331G03	2 CAPACITORTFXD, MICA DIEI, 330PF, 2%, 500V (V81349) 912-2851-000 C125		1
	321	CM05FD221J03	2 CAPACITOR,FXD, MICA DIEI, 220PF, 5%, 500V (V81349) 912-2840-000 C121 /32/		1
	321	CM05FD271J03	2 CAPACITOR,FXD, MICA DIEI, 270PF, 5%, 500V (V81349) 912-2846-000 C121 /32/		1
	322	332-1403-165	2 TERMINAL BOARD (V71785) 306-0001-000		1
		330-0731-000	2 SCREW,TPG,THD, CD PL STL, 4-24 X 1/4 (V45722) 330-0731-000 (AP)		2
	323	40C73A1	2 CAPACITOR,FXD, CER DIEI, 1000PF, 20%, 500V (V56289) 913-3009-000 C44		1

section 6
parts list

GROUP ASSEMBLY PARTS LIST

FIG - ITEM	PART NO	INDENT	DESCRIPTION	USABLE ON CODE	UNITS PER ASSY
6-2	324	546-7833-002	2 COIL,RF L10		1
	325	RCR07G103KS	2 RESISTOR,FXD, CMPSN, 10K, 10%, 1/4W (V81349) 745-0785-000 R103		1
	326	RCR20G152KS	2 RESISTOR,FXD, CMPSN, 1.5K, 10%, 1/2W (V81349) 745-1359-000 R191		1
	327	RCR07G105KS	2 RESISTOR,FXD, CMPSN, 1MEGO, 10%, 1/4W (V81349) 745-0857-000 R183		1
	328	MS90538-20	2 COIL,RF, 220UH (V96906) 240-2524-000 L11		1
	329	RCR20G274KS	2 RESISTOR,FXD, CMPSN, 0.27MEGO, 10%, 1/2W (V81349) 745-1454-000 R192		1
	330	36C175A	2 CAPACITOR,FXD, CER DIEI, 10000PF, 20%, 500V (V56289) 913-3013-000 C122		1
	331	RCR20G101KS	2 RESISTOR,FXD, CMPSN, 100 OHMS, 10%, 1/2W (V81349) 745-1310-000 R32		1
	332	RCR20G102KS	2 RESISTOR,FXD, CMPSN, 1K, 10%, 1/2W (V81349) 745-1352-000 R169		1
	333	MS90540-07	2 COIL,RF, 2000UH (V96906) 240-2547-000 L3 /16/		1
	333	RCR20G222KS	2 RESISTOR,FXD, CMPSN, 2.2K, 10%, 1/2W (V81349) 745-1366-000 R197 /16/		1
	334	41C92	2 CAPACITOR,FXD, CER DIEI, 0.1UF, M20P80%, 500V (V01939) 913-3152-000 C238 /16A/		1
	335	6H12	2 TERMINAL BOARD (V82893) 306-0909-000		1
		P343-0328-C00	2 SCREW,MACH, NP BRS, 6-32 X 1/4 (V77250) 343-0328-000 (AP)		1
		310-0077-000	2 WASHER,LOCK, BRZ, 0.141 ID X 0.253 OD (V79807) 310-0077-000 (AP)		1
	336	541-5181-002	2 BUTTON,CABLE		2
		MS51957-64	2 SCREW,MACH, SST, 10-24 X 5/8 (V96906) 343-0210-000 (AP)		2
	337	40C73A1	2 CAPACITOR,FXD, CER DIEI, 1000PF, 20%, 500V (V56289) 913-3009-000 C220		1
	338	CC20CH6R0D	2 CAPACITOR,FXD, CER DIEI, 6PF, 1/2PF, 500V (V81349) 916-0122-000 C25		1
	339	MS90538-20	2 COIL,RF, 220UH (V96906) 240-2524-000 L6		1
	340	544-9698-000	2 SUPPRESSOR, PARASITIC Z4		1
	341	CM05CD100D03	2 CAPACITOR,FXD, MICA DIEI, 10PF, 0.5PF, 500V (V81349) 912-2753-000 C272 /30/		1
	341	CCR75CH7R5JM	2 CAPACITOR,FXD, CER DIEI, 7.5PF, 5%, 500V (V81349) 913-2997-000 C272 /30/		1
	341	CM05CD100D03	2 CAPACITOR,FXD, MICA DIEI, 10PF, 0.5PF, 500V (V81349) 912-2753-000 C272 /30/		1
	342	DM15E200K500WV4C R	2 CAPACITOR,FXD, MICA DIEI, 20PF, 10%, 500V (V72136) 912-2766-000 C60 /18/		1
	342	DM15C100K500WV4C R	2 CAPACITOR,FXD, MICA DIEI, 10PF, 10%, 500V (V72136) 912-2754-000 C60 /18/		1
	343	VVC445	2 CAPACITOR,VAR, V SENS, 35PF, 20%, 130V (V16352) 922-6002-000 CR5		1
	344	MS90538-20	2 COIL,RF, 220UH (V96906) 240-2524-000 L40 /23/		1
	345	CM05FD361J03	2 CAPACITOR,FXD, MICA DIEI, 360PF, 5%, 500V (V81349) 912-2855-000 C110		1
	346	DM15C120K500WV4C R	2 CAPACITOR,FXD, MICA DIEI, 12PF, 10%, 500V (V72136) 912-2757-000 C257		1
	347	196305CK	2 SWITCH,RTRY (V76854) 269-2048-000 S5		1
		P313-0156-00	2 NUT,PLAIN,HEX, NP BRS, 4-40 (V77250) 313-0156-000 (AP)		2
		8942	2 WASHER,NM, PHEN, 0.116 ID X 0.187 OD (V76854) 302-0262-000 (AP)		2
		8980-2 3-16	2 SPACER,SLV (V76854) 269-1402-000 (AP)		2
		310-0054-000	2 WASHER,FLAT, BRS, 0.125 ID X 0.312 JD (V79807) 310-0054-000 (AP)		2
		P343-0289-000	2 SCREW,MACH, NP BRS, 4-40 X 1/2 (V77250) 343-0289-000 (AP)		2

GROUP ASSEMBLY PARTS LIST

FIG - ITEM	PART NO	INDENT	DESCRIPTION	USABLE ON CODE	UNITS PER ASSY
6-2	348	543-8061-002	2 BRACKET, SWITCH		1
		330-0731-000	2 SCREW, TPG, THD, CD PL STL, 4-24 X 1/4 (V45722) 330-0731-000 (AP)		2
	349	DM15E560K500WV4C R	2 CAPACITOR, FXD, MICA DIELECT, 56PF, 10%, 500V (V72136) 912-2799-000 C114		1
	350	CM05FD241G03	2 CAPACITOR, FXD, MICA DIELECT, 240PF, 2%, 500V (V81349) 912-2842-000 C112		1
	351	DM15C100K500WV4C R	2 CAPACITOR, FXD, MICA DIELECT, 10PF, 10%, 500V (V72136) 912-2754-000 C30		1
	352	332-1403-165	2 TERMINAL BOARD (V71785) 306-0001-000		1
		P313-0156-00	2 NUT, PLAIN, HEX, NP BRS, 4-40 (V77250) 313-0156-000 (AP)		1
		MS35338-97	2 WASHER, SPRING, CD PL BRZ, 0.115 ID X 0.209 OD (V96906) 310-0095-000 (AP)		1
		P343-0286-000	2 SCREW, MACH, NP BRS, 4-40 X 5/16 (V77250) 343-0286-000 (AP)		1
	353	2A1DB15	2 TERMINAL STDF (V92825) 306-0234-000		2
		P343-0285-000	2 SCREW, MACH, NP BRS, 4-40 X 1/4 (V77250) 343-0285-000 (AP)		2
	354	CC20CJ030D	2 CAPACITOR, FXD, CER DIELECT, 3PF, 1/2PF, 500V (V81349) 916-0145-000 C79		1
	355	40C73A1	2 CAPACITOR, FXD, CER DIELECT, 1000PF, 20%, 500V (V56289) 913-3009-000 C41		1
	356	RCR07G104KS	2 RESISTOR, FXD, CMPSN, 0.10MEGO, 10%, 1/4W (V81349) 745-0821-000 R34		1
	357	RCR07G560KS	2 RESISTOR, FXD, CMPSN, 56 OHMS, 10%, 1/4W (V81349) 745-0704-000 R9		1
	358	6H12	2 TERMINAL BOARD (V82893) 306-0909-000		1
		P343-0328-000	2 SCREW, MACH, NP BRS, 6-32 X 1/4 (V77250) 343-0328-000 (AP)		1
		MS35338-98	2 WASHER, SPRING, CD PL BRZ, 0.141 ID X 0.250 OD (V96906) 310-0096-000 (AP)		1
	359	502-1427-002	2 SHIELD, ELECTRON TUBE		1
	360	RCR20G683KS	2 RESISTOR, FXD, CMPSN, 68K, 10%, 1/2W (V81349) 745-1429-000 R37		1
	361	36C175A	2 CAPACITOR, FXD, CER DIELECT, 10000PF, 20%, 500V (V56289) 913-3013-000 C222		1
	362	RCR07G474KS	2 RESISTOR, FXD, CMPSN, 0.47MEGO, 10%, 1/4W (V81349) 745-0845-000 R136		1
	363	36C175A	2 CAPACITOR, FXD, CER DIELECT, 10000PF, 20%, 500V (V56289) 913-3013-000 C43		1
	364	RCR32G333KS	2 RESISTOR, FXD, CMPSN, 33K, 10%, 1W (V81349) 745-3415-000 R33		1
	365	RCR07G104KS	2 RESISTOR, FXD, CMPSN, 0.10MEGO, 10%, 1/4W (V81349) 745-0821-000 R27		1
	366	RCR07G105KS	2 RESISTOR, FXD, CMPSN, 1MEGO, 10%, 1/4W (V81349) 745-0857-000 R200 /21/		1
	367	36C175A	2 CAPACITOR, FXD, CER DIELECT, 10000PF, 20%, 500V (V56289) 913-3013-000 C29		1
	368	RCR07G392KS	2 RESISTOR, FXD, CMPSN, 3.9K, 10%, 1/4W (V81349) 745-0770-000 R124 (REPLACE WITH 6.8K)		1
	368	RCR07G682KS	2 RESISTOR, FXD, CMPSN, 6.8K, 10%, 1/4W (V81349) 745-0779-000 R124		1
	369	CC20CH6R0D	2 CAPACITOR, FXD, CER DIELECT, 6PF, 1/2PF, 500V (V81349) 916-0122-000 C26		1
	370	20DD63G104XAA	2 CAPACITOR, FXD, CER DIELECT, 1UF, M30%P80%, 75V (V71590) 913-3794-000 C268		1
	371	36C175A	2 CAPACITOR, FXD, CER DIELECT, 10000PF, 20%, 500V (V56289) 913-3013-000 C28		1
	372	RCR07G104KS	2 RESISTOR, FXD, CMPSN, 0.10MEGO, 10%, 1/4W (V81349) 745-0821-000 R31		1

section 6
parts list

GROUP ASSEMBLY PARTS LIST

FIG - ITEM	PART NO	INDENT	DESCRIPTION	USABLE ON CODE	UNITS PER ASSY
6-2	373	RCR07G560KS	2 RESISTOR,FXD, CMPSN, 56 OHMS, 10%, 1/4W (V81349) 745-0704-000 R28		1
	374	RCR20G221KS	2 RESISTOR,FXD, CMPSN, 220 OHMS, 10%, 1/2W (V81349) 745-1324-000 R29		1
	375	MS90538-20	2 COIL,RF, 220UH (V96906) 240-2524-000 L5		1
	376	40C73A1	2 CAPACITOR,FXD, CER DIEI, 1000PF, 20%, 500V (V56289) 913-3009-000 C27		1
	377	41C92	2 CAPACITOR,FXD, CER DIEI, 0.1UF, M20%P80%, 500V (V01939) 913-3152-000 C221 /16A/		1
	378	RCR32G332KS	2 RESISTOR,FXD, CMPSN, 3.3K, 10%, 1W (V81349) 745-3373-000 R144		1
	379	RCR32G152KS	2 RESISTOR,FXD, CMPSN, 1.5K, 10%, 1W (V81349) 745-3360-000 R143 /22/		1
	379	RCR32G222KS	2 RESISTOR,FXD, CMPSN, 2.2K, 10%, 1W (V81349) 745-3366-000 R143 /22/		1
	380	RCR20G560KS	2 RESISTOR,FXD, CMPSN, 56 OHMS, 10%, 1/2W (V81349) 745-1300-000 R174		1
	381	RCR07G105KS	2 RESISTOR,FXD, CMPSN, 1MEGO, 10%, 1/4W (V81349) 745-0857-000 R63		1
	382	RCR07G560KS	2 RESISTOR,FXD, CMPSN, 56 OHMS, 10%, 1/4W (V81349) 745-0704-000 R168		1
	383	40C73A1	2 CAPACITOR,FXD, CER DIEI, 1000PF, 20%, 500V (V56289) 913-3009-000 C40		1
	384	36C175A	2 CAPACITOR,FXD, CER DIEI, 1000PF, 20%, 500V (V56289) 913-3013-000 C274 /23/		1
	385	544-9715-002	2 TRANSFORMER,RF T3		1
	386	196305CK	2 SWITCH,RTRY (V76854) 269-2048-000 S4		1
		P313-0156-00	2 NUT,PLAIN,HEX, NP BRS, 4-40 (V77250) 313-0156-000 (AP)		2
		8942	2 WASHER,NM, PHEN, 0.116 ID X 0.187 OD (V76854) 302-0262-000 (AP)		2
		8980-2 3-16	2 SPACER,SLV (V76854) 269-1402-000 (AP)		2
		310-0054-000	2 WASHER,FLAT, BRS, 0.125 ID X 0.312 OD (V79807) 310-0054-000 (AP)		1
		P343-0289-000	2 SCREW,MACH, NP BRS, 4-40 X 1/2 (V77250) 343-0289-000 (AP)		2
	387	543-8061-002	2 BRACKET,SWITCH		1
		330-0731-000	2 SCREW,TPG,THD, CD PL STL, 4-24 X 1/4 (V45722) 330-0731-000 (AP)		2
	388	CM05ED220J03	2 CAPACITOR,FXD, MICA DIEI, 22PF, 5%, 500V (V81349) 912-2768-000 C35		1
	389	CM05FD131J03	2 CAPACITOR,FXD, MICA DIEI, 130PF, 5%, 500V (V81349) 912-2825-000 C33		1
	390	DM15C100K500WV4C	2 CAPACITOR,FXD, MICA DIEI, 10PF, 10%, 500V (V72136) 912-2754-000 C31		1
	391	CM05FD361G03	2 CAPACITOR,FXD, MICA DIEI, 360PF, 2%, 500V (V81349) 912-2854-000 C38		1
	392	40C73A1	2 CAPACITOR,FXD, CER DIEI, 1000PF, 20%, 500V (V56289) 913-3009-000 C187		1
	392A	CM06FD511J03	2 CAPACITOR,FXD, MICA DIEI, 510PF, 5%, 500V (V81349) 912-2980-000 C77		1
	393	DM15C100K500WV4C	2 CAPACITOR,FXD, MICA DIEI, 10PF, 10%, 500V (V72136) 912-2754-000 C267 /28/		1
	393	DM15C050D500WV4C	2 CAPACITOR,FXD, MICA DIEI, 5PF, 0.5PF, 500V (V72136) 912-2751-000 C267 /28/		1
	394	RCR20G151KS	2 RESISTOR,FXD, CMPSN, 150 OHMS, 10%, 1/2W (V81349) 745-1317-000 R61		1
	395	RCR42G682KS	2 RESISTOR,FXD, CMPSN, 6.8K, 10%, 2W (V81349) 745-5687-000 R153		1
	396	40C73A1	2 CAPACITOR,FXD, CER DIEI, 1000PF, 20%, 500V (V56289) 913-3009-000 C226		1

GROUP ASSEMBLY PARTS LIST

FIG - ITEM	PART NO	INDENT	DESCRIPTION	USABLE ON CODE	UNITS PER ASSY
6-2	397 40C73A1	2	CAPACITOR,FXD, CER DIEI, 1000PF, 20%, 500V (V56289) 913-3009-000 C61		1
	398 RCR07G104KS	2	RESISTOR,FXD, CMPSN, 0.10MEGO, 10%, 1/4W (V81349) 745-0821-000 R62		1
	398A CM05ED470J03	2	CAPACITOR,FXD, MICA DIEI, 47PF, 5%, 500V (V81349) 912-2792-000 C74 /27B/ (SB-3)		1
	398A CM05ED430J03	2	CAPACITOR,FXD, MICA DIEI, 43PF, 5%, 500V (V81349) 912-2789-000 C74 /27B/(SB-3)		1
	399 RCR20G473KS	2	RESISTOR,FXD, CMPSN, 47K, 10%, 1/2W (V81349) 745-1422-000 R125 /27B/(SB-3)		1
	399 RCR20G333KS	2	RESISTOR,FXD, CMPSN, 33K, 10%, 1/2W (V81349) 745-1415-000 R125 /27B/(SB-3)		1
	399A RCR42G123KS	2	RESISTOR,FXD, CMPSN, 12K, 10%, 2W (V81349) 745-5698-000 R125 /27D/		1
	399B MS75089-23	2	COIL,RF, 1000UH (V96906) 240-2715-490 L43 /27D/		1
	400 MS90540-07	2	COIL,RF, 2000UH (V96906) 240-2547-000 L7 (EFF TO REV LTR DP)		1
	400 MS75089-27	2	COIL,RF, 2200UH (V96906) 240-2715-530 L7 (EFF REV LTR DP)		1
	401 40C73A1	2	CAPACITOR,FXD, CER DIEI, 1000PF, 20%, 500V (V56289) 913-3009-000 C187		1
	401A RCR07G273KS	2	RESISTOR,FXD, CMPSN, 27K, 10%, 1/4W (V81349) 745-0800-000 R198 /13/		1
	401B DM15C120K500WV4C R	2	CAPACITOR,FXD, MICA DIEI, 12PF, 10%, 500V (V72136) 912-2757-000 C266 /27C/(SB-3)	A	1
	402 RCR20G221KS	2	RESISTOR,FXD, CMPSN, 220 OHMS, 10%, 1/2W (V81349) 745-1324-000 R36		1
	403 MS90538-20	2	COIL,RF, 220UH (V96906) 240-2524-000 L25		1
	404 6H12	2	TERMINAL BOARD (V82893) 306-0909-000		1
	P343-0328-000	2	SCREW,MACH, NP BRS, 6-32 X 1/4 (V77250) 343-0328-000 (AP)		1
	MS35338-98	2	WASHER,SPRING, CD PL BRZ, 0.141 ID X 0.250 OD (V96906) 310-0095-000 (AP)		1
	404A MS75089-27	2	COIL,RF, 2200UH (V96906) 240-2715-530 L44 /27D/		1
	404B 41C92	2	CAPACITOR,FXD, CER DIEI, 0.1UF, M20%P80%, 500V (V01939) 913-3152-000 C280 /27D/		1
	405 33C2	2	CAPACITOR,FXD, CER DIEI, 0.02UF, 20%, 500V (V56289) 913-2142-000 C224		1
	406 RCR20G153KS	2	RESISTOR,FXD, CMPSN, 15K, 10%, 1/2W (V81349) 745-1401-000 R68		1
	407 RCR20G102KS	2	RESISTOR,FXD, CMPSN, 1K, 10%, 1/2W (V81349) 745-1352-000 R159		1
	408 40C73A1	2	CAPACITOR,FXD, CER DIEI, 1000PF, 20%, 500V (V56289) 913-3009-000 C59		1
	409 913-3829-000	2	CAPACITOR,FXD, CER DIEI, 0.01UF, GMV, 500V (V71590) 913-3829-000 C236 ,C237(DUAL CAPACITOR)		1
	409A 1N5383B	2	SEMICOND DEVICE (V04713) 353-6550-510 CR13 /27D/		1
	409B 41C92	2	CAPACITOR,FXD, CER DIEI, 0.1UF, M20%P80%, 500V (V01939) 913-3152-000 C281 /27D/		1
	410 1N34A	2	SEMICOND DEVICE (V03877) 353-2780-000 CR6		1
	411 RCR07G105KS	2	RESISTOR,FXD, CMPSN, 1MEGO, 10%, 1/4W (V81349) 745-0857-000 R11		1
	412 RCR20G104KS	2	RESISTOR,FXD, CMPSN, 0.10MEGO, 10%, 1/2W (V81349) 745-1436-000 R67		1
	413 RCR20G124KS	2	RESISTOR,FXD, CMPSN, 0.12MEGO, 10%, 1/2W (V81349) 745-1440-000 R160		1
	414 RCR20G105KS	2	RESISTOR,FXD, CMPSN, 1MEGO, 10%, 1/2W (V81349) 745-1478-000 R65		1
	415 RCR20G104KS	2	RESISTOR,FXD, CMPSN, 0.10MEGO, 10%, 1/2W (V81349) 745-1436-000 R154		1
	416 RCR20G224KS	2	RESISTOR,FXD, CMPSN, 0.22MEGO, 10%, 1/2W (V81349) 745-1450-000 R66		1

section 6
parts list

GROUP ASSEMBLY PARTS LIST

FIG - ITEM	PART NO	INDENT	DESCRIPTION	USABLE ON CODE	UNITS PER ASSY
6-2 417	RCR20G102KS	2	RESISTOR,FXD, CMPSN, 1K, 10%, 1/2W (V81349) 745-1352-000 R64		1
418	CC20CK020D	2	CAPACITOR,FXD, CER DIEI, 2PF, 1/2PF, 500V (V81349) 916-0076-000 C119 /29/		1
418	DM15C100K500WV4C R	2	CAPACITOR,FXD, MICA DIEI, 10PF, 10%, 500V (V72136) 912-2754-000 C119 /29/		1
419	36C175A	2	CAPACITOR,FXD, CER DIEI, 10000PF, 20%, 500V (V56289) 913-3013-000 C75		1
420	544-2825-002	2	SOCKET,CRYSTAL XY3		1
421	540-9049-003	2	POST	B	1
	P343-0290-000	2	SCREW,MACH, NP BRS, 4-40 X 5/8 (V77250) 343-0290-000 (AP FOR 420-421)		1
	343-0048-000	2	SCREW,MACH, SST, 10-24 X 3/8 (V70601) 343-0048-000 (AP FOR 420-421)		1
422	432-1009-00	2	CABLE,SP,ELEC (V94452) 432-1009-000		AR
423	22692-414LW1 544-7266-002	2	SWITCH,RTRY (V82104) 259-1081-000 S13		1
424	544-3132-002 328-0512-010	2	NUT,SPECIAL (AP)		1
		2	PULLY		1
		2	SETSCREW, SST, 6-40 X 0.125 (V08664) 328-0512-010 (AP)		1
425	NPV3 P313-0050-000	2	PULLEY,IDLER (V06915) 281-0020-000		1
		2	NUT,PLAIN,HEX, NP BRS, 2-56 (V77250) 313-0050-000 (AP)		1
	MS35338-96	2	WASHER,SPRING, CD PL BRZ, 0.088 ID X 0.172 OD (V96906) 310-0093-000 (AP)		1
	503-1236-001	2	SPACER (AP)		1
	310-0053-000	2	WASHER,FLAT, BRS, 0.093 ID X 0.250 OD (V79807) 310-0053-000 (AP)		3
	P343-0302-000	2	SCREW,MACH, NP BRS, 2-56 X 7/16 (V77250) 343-0302-000 (AP)		1
426	HP7N 330-0733-000	2	CLAMP,LOOP (V09922) 150-1544-000		1
		2	SCREW,TPG,THD, CD PL STL, 4-24 X 3/8 (V45722) 330-0733-000 (AP)		1
	310-0054-000	2	WASHER,FLAT, BRS, 0.125 ID X 0.312 OD (V79807) 310-0054-000 (AP)		1
427	192796CK	2	SWITCH,RTRY (V76854) 269-2023-000 S2		1
428	192796CK P313-0156-00	2	SWITCH,RTRY (V76854) 269-2023-000 S14		1
		2	NUT,PLAIN,HEX, NP BRS, 4-40 (V77250) 313-0156-000 (AP FOR 427-428)		2
	310-0054-000	2	WASHER,FLAT, BRS, 0.125 ID X 0.312 OD (V79807) 310-0054-000 (AP FOR 427-428)		2
	8980-2 1-8	2	SPACER,SLV (V76854) 269-1401-000 (AP FOR 427-428)		2
	8980-2 1-4 8942	2	SPACER,SLV (V76854) 269-1403-000 (AP FOR 427-428)		2
		2	WASHER,NM, PHEN, 0.116 ID X 0.187 OD (V76854) 302-0262-000 (AP FOR 427-428)		2
	P343-0291-000	2	SCREW,MACH, NP BRS, 4-40 X 3/4 (V77250) 343-0291-000 (AP FOR 427-428)		2
429	543-8061-002 330-0731-000	2	BRACKET,SWITCH		1
		2	SCREW,TPG,THD, CD PL STL, 4-24 X 1/4 (V45722) 330-0731-000 (AP)		2
430	196305CK P313-0156-00	2	SWITCH,RTRY (V76854) 269-2048-000 S3		1
		2	NUT,PLAIN,HEX, NP BRS, 4-40 (V77250) 313-0156-000 (AP)		2
	8942	2	WASHER,NM, PHEN, 0.116 ID X 0.187 OD (V76854) 302-0262-000 (AP)		2
	8980-2 3-16 310-0054-000	2	SPACER,SLV (V76854) 269-1402-000 (AP)		2
		2	WASHER,FLAT, BRS, 0.125 ID X 0.312 OD (V79807) 310-0054-000 (AP)		2
	P343-0289-000	2	SCREW,MACH, NP BRS, 4-40 X 1/2 (V77250) 343-0289-000 (AP)		2
431	543-8061-002	2	BRACKET,SWITCH		1

GROUP ASSEMBLY PARTS LIST

FIG - ITEM	PART NO	INDENT	DESCRIPTION	USABLE ON CODE	UNITS PER ASSY
6-2	432	332-1403-165	2 TERMINAL BOARD (V71785) 306-0001-000		1
		330-0731-000	2 SCREW,TPG,THD, CD PL STL, 4-24 X 1/4 (V45722)		2
			330-0731-000 (AP FOR 431,432)		
	433	RCR07G472KS	2 RESISTOR,FXD, CMPSN, 4.7K, 10%, 1/4W (V81349)		1
			745-0773-000 R214 /27B/		
	434	CM05ED470J03	2 CAPACITOR,FXD, MICA DIEL, 47PF, 5%, 500V		1
			(V81349) 912-2792-000 C66		
	435	RCR07G272KS	2 RESISTOR,FXD, CMPSN, 2.7K, 10%, 1/4W (V81349)		1
			745-0764-000 R151 /27B/		
	436	DM15F121K500WV4C	2 CAPACITOR,FXD, MICA DIEL, 120PF, 10%, 500V		1
		R	(V72136) 912-2823-000 C64		
	437	546-7945-003	2 TRANSFORMER,RF T4		1
	438	40C73A1	2 CAPACITOR,FXD, CER DIEL, 1000PF, 20%, 500V		1
			(V56289) 913-3009-000 C62		
	439	RCR07G562KS	2 RESISTOR,FXD, CMPSN, 5.6K, 10%, 1/4W (V81349)		1
			745-0776-000 R152		
	440	CM05FD221J03	2 CAPACITOR,FXD, MICA DIEL, 220PF, 5%, 500V		1
			(V81349) 912-2843-000 C69 /23/		
	440	CM05FD241J03	2 CAPACITOR,FXD, MICA DIEL, 240PF, 5%, 500V		1
			(V81349) 912-2843-000 C69 /23/		
	441	20DD63G104XAA	2 CAPACITOR,FXD, CER DIEL, 1UF, M30%P80%, 75V		1
			(V71590) 913-3794-000 C84		
	442	20DD63G104XAA	2 CAPACITOR,FXD, CER DIEL, 1UF, M30%P80%, 75V		1
			(V71590) 913-3794-000 C253		
	443	RCR07G105KS	2 RESISTOR,FXD, CMPSN, 1MEGO, 10%, 1/4W (V81349)		1
			745-0857-000 R2		
	444	RCR20G181KS	2 RESISTOR,FXD, CMPSN, 180 OHMS, 10%, 1/2W		1
			(V81349) 745-1321-000 R3		
	445	RCR07G473KS	2 RESISTOR,FXD, CMPSN, 47K, 10%, 1/4W (V81349)		1
			745-0809-000 R1		
	446	RCR42G220KS	2 RESISTOR,FXD, CMPSN, 22 OHMS, 10%, 2W (V81349)		1
			745-5582-000 R173		
	447	20DD63G104XAA	2 CAPACITOR,FXD, CER DIEL, 1UF, M30%P80%, 75V		1
			(V71590) 913-3794-000 C273		
	448	542-5476-002	2 SHIELD,ELECTRON TUBE		1
	449	33C2	2 CAPACITOR,FXD, CER DIEL, 0.02UF, 20%, 500V		1
			(V56289) 913-2142-000 C1		
	450	RCR20G683KS	2 RESISTOR,FXD, CMPSN, 68K, 10%, 1/2W (V81349)		1
			745-1429-000 R4		
	451	913-3829-000	2 CAPACITOR,FXD, CER DIEL, 0.01UF, GMV, 500V		1
			(V71590) 913-3829-000 C205 ,C206 (DUAL		
			CAPACITOR)		
	452	913-3829-000	2 CAPACITOR,FXD, CER DIEL, 0.01UF, GMV, 500V		1
			(V71590) 913-3829-000 C207 ,C208 (DUAL		
			CAPACITOR)		
	453	913-3829-000	2 CAPACITOR,FXD, CER DIEL, 0.01UF, GMV, 500V		1
			(V71590) 913-3829-000 C209 ,C210 (DUAL CAPACITOR)		
	454	913-3829-000	2 CAPACITOR,FXD, CER DIEL, 0.01UF, GMV, 500V		1
			(V71590) 913-3829-000 C203 ,C204 (DUAL CAPACITOR)		
	455	36C175A	2 CAPACITOR,FXD, CER DIEL, 1000PF, 20%, 500V		1
			(V56289) 913-3013-000 C263 /20/		
	456	RCR42G153KS	2 RESISTOR,FXD, CMPSN, 15K, 10%, 2W (V81349)		1
			745-5701-000 R73		
	457	MS75008-40	2 COIL,RF, 10UH (V96906) 240-0149-000 L26 (EFF TO		1
			REV LTR DK)		
	457	MS75101-7	2 COIL,RF, 10UH (V96906) 240-1600-000 L26 (EFF REV		1
			LTR DK)		
	458	40C73A1	2 CAPACITOR,FXD, CER DIEL, 1000PF, 20%, 500V		1
			(V56289) 913-3009-000 C83		
	459	RCR07G105KS	2 RESISTOR,FXD, CMPSN, 1MEGO, 10%, 1/4W (V81349)		1
			745-0857-000 R74		
	459A	RTMT16M	2 TERMINAL,STUD (V91663) 306-0977-000		1

section 6
parts list

GROUP ASSEMBLY PARTS LIST

FIG - ITEM	PART NO	INDENT	DESCRIPTION	USABLE ON CODE	UNITS PER ASSY
6-2	459B 41C92	2	CAPACITOR,FXD, CER DIEL, 0.1UF, M20%P80%, 500V (V01939) 913-3152-000 C278 /118/		1
	459C 1N5383B	2	SEMICONV DEVICE (V04713) 353-6550-510 CR12 /118/		1
	460 RCR32G104KS	2	RESISTOR,FXD, CMPSN, 0.10MEGO, 10%, 1W (V81349) 745-3436-000 R40		1
	460A MS90540-07	2	COIL,RF, 2000UH (V96906) 240-2547-000 L42 /118/		1
	460B 33C2	2	CAPACITOR,FXD, CER DIEL, 0.02UF, 20%, 500V (V56289) 913-2142-000 C279 /118/		1
	461 RCR42G333KS	2	RESISTOR,FXD, CMPSN, 33K, 10%, 2W (V81349) 745-5715-000 R131 /118/		1
	462 41C92	2	CAPACITOR,FXD, CER DIEL, 0.1UF, M20%P80%, 500V (V01939) 913-3152-000 C46		1
	463 RCR20G331KS	2	RESISTOR,FXD, CMPSN, 330 OHMS, 10%, 1/2W (V81349) 745-1331-000 R41		1
	464 RCR20G274KS	2	RESISTOR,FXD, CMPSN, 0.27MEGO, 10%, 1/2W (V81349) 745-1454-000 R44		1
	465 RTMT16M	2	TERMINAL,STUD (V91663) 306-0977-000		1
	466 RCR20G224KS	2	RESISTOR,FXD, CMPSN, 0.22MEGO, 10%, 1/2W (V81349) 745-1450-000 R201 /7/		1
	467 33C2	2	CAPACITOR,FXD, CER DIEL, 0.02UF, 20%, 500V (V56289) 913-2142-000 C48		1
	468 6H12	2	TERMINAL BOARD (V82893) 306-0909-000		1
	P343-0328-000	2	SCREW,MACH, NP BRS, 6-32 X 1/4 (V77250) 343-0328-000 (AP)		1
	MS35338-98	2	WASHER,SPRING, CD PL BRZ, 0.141 ID X 0.250 OD (V96906) 310-0096-000 (AP)		1
	469 36C175A	2	CAPACITOR,FXD, CER DIEL, 10000PF, 20%, 500V (V56289) 913-3013-000 C188 /4/4A/5/		1
	470 HM6821	2	RESISTOR,FXD, CMPSN, 6.8K, 10%, 4W (V01121) 745-9732-000 R72		1
	P313-0051-000	2	NUT,PLAIN,HEX, NP BRS, 4-40 (V77250) 313-0051-000 (AP)		1
	MS35335-85	2	WASHER,LOCK, CD PL BRZ, 0.123 ID X 0.255 OD (V96906) 373-7010-000 (AP)		1
	P342-0286-000	2	SCREW,MACH, CD PL STL, 4-40 X 5/8 (V77250) 342-0286-000 (AP)		1
	471 RCR20G102KS	2	RESISTOR,FXD, CMPSN, 1K, 10%, 1/2W (V81349) 745-1352-000 R135		1
	472 RCR07G225KS	2	RESISTOR,FXD, CMPSN, 2.2MEGO, 10%, 1/4W (V81349) 745-0869-000 R199 /8/		1
	473 RCR07G335KS	2	RESISTOR,FXD, CMPSN, 3.3MEGO, 10%, 1/4W (V81349) 745-0875-000 R128		1
	474 RCR20G100KS	2	RESISTOR,FXD, CMPSN, 10 OHMS, 10%, 1/2W (V81349) 745-1268-000 R75		1
	475 RCR20G473KS	2	RESISTOR,FXD, CMPSN, 47K, 10%, 1/2W (V81349) 745-1422-000 R76		1
	476 DM15F221K500WV4C R	2	CAPACITOR,FXD, MICA DIEL, 220PF, 10%, 500V (V72136) 912-2841-000 C2		1
	477 913-3829-000	2	CAPACITOR,FXD, CER DIEL, 0.01UF, GMV, 500V (V71590) 913-3829-000 C85 ,C86 (DUAL CAPACITOR)		1
	478 19C372	2	CAPACITOR,FXD, CER DIEL, 470PF, 20%, 500V (V56289) 913-3007-000 C214		1
	479 44C7A	2	CAPACITOR,FXD, CER DIEL, 4700PF, 20%, 500V (V56289) 913-3012-000 C3		1
	480 40C73A1	2	CAPACITOR,FXD, CER DIEL, 1000PF, 20%, 500V (V56289) 913-3009-000 C45		1
	481		(NOT USED)		
	482		(NOT USED)		
	483 RCR07G221KS	2	RESISTOR,FXD, CMPSN, 220 OHMS, 10%, 1/4W (V81349) 745-0725-000 R204 /5/		1
	484 D29343	2	CAPACITOR,FXD, ELCTLT, 4UF, M10%P100%, 350V (V56289) 183-1783-000 C254		1

GROUP ASSEMBLY PARTS LIST

FIG - ITEM	PART NO	INDENT	DESCRIPTION	USABLE ON CODE	UNITS PER ASSY
6-2	485	RCR07G181KS	2 RESISTOR,FXD, CMPSN, 180 OHMS, 10%, 1/4W (V81349) 745-0722-000 R140		1
	485	RCR07G221KS	2 RESISTOR,FXD, CMPSN, 220 OHMS, 10%, 1/4W (V81349) 745-0725-000 R140		AR
	485	RCR07G271KS	2 RESISTOR,FXD, CMPSN, 270 OHMS, 10%, 1/4W (V81349) 745-0728-000 R140		AR
	485	RCR07G331KS	2 RESISTOR,FXD, CMPSN, 330 OHMS, 10%, 1/4W (V81349) 745-0731-000 R140		AR
	485	RCR07G391KS	2 RESISTOR,FXD, CMPSN, 390 OHMS, 10%, 1/4W (V81349) 745-0734-000 R140 /6/		AR
	485	RCR07G471KS	2 RESISTOR,FXD, CMPSN, 470 OHMS, 10%, 1/4W (V81349) 745-0737-000 R140 /6/		AR
	485	RCR07G561KS	2 RESISTOR,FXD, CMPSN, 560 OHMS, 10%, 1/4W (V81349) 745-0740-000 R140 /6/		AR
	485	RCR07G681KS	2 RESISTOR,FXD, CMPSN, 680 OHMS, 10%, 1/4W (V81349) 745-0743-000 R140 /6/		AR
	485	RCR07G821KS	2 RESISTOR,FXD, CMPSN, 820 OHMS, 10%, 1/4W (V81349) 745-0746-000 R140 /6/		AR
	485	RCR07G102KS	2 RESISTOR,FXD, CMPSN, 1K, 10%, 1/4W (V81349) 745-0749-000 R140 /6/		AR
	485	RCR07G122KS	2 RESISTOR,FXD, CMPSN, 1.2K, 10%, 1/4W (V81349) 745-0752-000 R140 /6/		AR
	485	RCR07G123KS	2 RESISTOR,FXD, CMPSN, 12K, 10%, 1/4W (V81349) 745-0788-000 R140 /6/		AR
	485	RCR07G153KS	2 RESISTOR,FXD, CMPSN, 15K, 10%, 1/4W (V81349) 745-0791-000 R140 /6/		AR
	485	RCR07G183KS	2 RESISTOR,FXD, CMPSN, 18K, 10%, 1/4W (V81349) 745-0794-000 R140 /6/		AR
	485	RCR07G223KS	2 RESISTOR,FXD, CMPSN, 22K, 10%, 1/4W (V81349) 745-0797-000 R140 /6/		AR
	485	RCR07G273KS	2 RESISTOR,FXD, CMPSN, 27K, 10%, 1/4W (V81349) 745-0800-000 R140 /6/		AR
	486	5C13A	2 CAPACITOR,FXD, CER DIEL, 1UF, M20%P80%, 25V (V56289) 913-3810-000 C6 /3/		1
	487	RCR20G101KS	2 RESISTOR,FXD, CMPSN, 100 OHMS, 10%, 1/2W (V81349) 745-1310-000 R208 /3/		1
	487	RCR07G471KS	2 RESISTOR,FXD, CMPSN, 470 OHMS, 10%, 1/4W (V81349) 745-0737-000 R208 /3/		1
	488	RCR07G103KS	2 RESISTOR,FXD, CMPSN, 10K, 10%, 1/4W (V81349) 745-0785-000 R17		1
	489	36C175A	2 CAPACITOR,FXD, CER DIEL, 10000PF, 20%, 500V (V56289) 913-3013-000 C11		1
	490	RCR42G683KS	2 RESISTOR,FXD, CMPSN, 68K, 10%, 2W (V81349) 745-5729-000 R20		1
	491	5C11A	2 CAPACITOR,FXD, CER DIEL, 0.47UF, M20%P80%, 25V (V56289) 913-3804-000 C160		1
	492	RCR07G155KS	2 RESISTOR,FXD, CMPSN, 1.5MEGO, 10%, 1/4W (V81349) 745-0863-000 R119		1
	493	RCR42G683KS	2 RESISTOR,FXD, CMPSN, 68K, 10%, 2W (V81349) 745-5729-000 R47		1
	494	PW5-6001-10	2 RESISTOR,FXD,WM 6K, 10%, 5W (V07716) 710-9118-000 R163		1
	495	160P47394	2 CAPACITOR,FXD, PPR DIEL, 0.047UF, 400V, 10% (V56289) 931-0295-000 C47 /11/		1
	495	LP9A1E683K	2 CAPACITOR,FXD, PLSTC DIEL, 0.068UF,10%,400V (V56289) 933-1088-070 C47 /11/		1
	496	6H12	2 TERMINAL BOARD (V82893) 306-0909-000		1
		P343-0328-000	2 SCREW,MACH, NP BRS, 6-32 X 1/4 (V77250) 343-0328-000 (AP)		1
		310-0077-000	2 WASHER,LOCK, BRZ, 0.141 ID X 0.253 OD (V79807) 310-0077-000 (AP)		1
	497	RCR07G825KS	2 RESISTOR,FXD, CMPSN, 8.2MEGO, 10%, 1/4W (V81349) 745-0890-000 R42		1

section 6
parts list

GROUP ASSEMBLY PARTS LIST

FIG - ITEM	PART NO	INDENT	DESCRIPTION	USABLE ON CODE	UNITS PER ASSY
6-2 498	RCR07G825KS	2	RESISTOR,FXD, CMPSN, 8.2MEGO, 10%, 1/4W (V81349) 745-0890-000 R48		1
499	RCR32G473KS	2	RESISTOR,FXD, CMPSN, 47K, 10%, 1W (V81349) 745-3422-000 R18 /12/		1
499	RCR42G183KS	2	RESISTOR,FXD, CMPSN, 18K, 10%, 2W (V81349) 745-5705-000 R18 /12/		1
500	RCR20G332KS	2	RESISTOR,FXD, CMPSN, 3.3K, 10%, 1/2W (V81349) 745-1373-000 R46 /9/		1
500	RCR20G222KS	2	RESISTOR,FXD, CMPSN, 2.2K, 10%, 1/2W (V81349) 745-1366-000 R46 /9/		1
501	RCR20G393KS	2	RESISTOR,FXD, CMPSN, 39K, 10%, 1/2W (V81349) 745-1419-000 R141		1
502	913-3829-000	2	CAPACITOR,FXD, CER DIEI, 0.01UF, GMV, 500V (V71590) 913-3829-000 C12 ,C13(DUAL CAPACITOR)		1
503	RCR20G121KS	2	RESISTOR,FXD, CMPSN, 120 OHMS, 10%, 1/2W (V81349) 745-1314-000 R19		1
504	BA811-2798	2	RESISTOR,VAR, 10K, 30%, 1/4W (V71590) 376-7402-000 R84		1
	P334-4060-000	2	NUT,PLAIN,HEX, NP BRS 3/8-32 (V77250) 334-4060-000 (AP)		1
	1720-02	2	WASHER,LOCK, SST, 0.391 ID X 0.507 OD (V78189) 373-0085-000 (AP)		1
505	RTMT16M	2	TERMINAL,STUD (V91663) 306-0977-000		1
506	779-2661-001	2	SHIELD		1
	330-0731-000	2	SCREW,TPG,THD, CD PL STL, 4-24 X 1/4 (V45722) 330-0731-000 (AP)		1
507	2DDD63G104XAA	2	CAPACITOR,FXD, CER DIEI, 1UF, M30%P80%, 75V (V71590) 913-3794-000 C225		1
508	RCR20G331KS	2	RESISTOR,FXD, CMPSN, 330 OHMS, 10%, 1/2W (V81349) 745-1331-000 R202 /9/36/		1
508	RCR42G123KS	2	RESISTOR,FXD, CMPSN, 12K, 10%, 2W (V81349) 745-5698-000 R202 /9/36/		1
509	DM15C100K500WV4C R	2	CAPACITOR,FXD, MICA DIEI, 10PF, 10%, 500V (V72136) 912-2754-000 C10 /6/		AR
509	DM15C120K500WV4C R	2	CAPACITOR,FXD, MICA DIEI, 12PF, 10%, 500V (V72136) 912-2757-000 C10 /6/		AR
509	DM15C150K500WV4C R	2	CAPACITOR,FXD, MICA DIEI, 15PF, 10%, 500V (V72136) 912-2760-000 C10 /6/		AR
509	CM05ED200J03	2	CAPACITOR,FXD, MICA DIEI, 20PF, 5%, 500V (V81349) 912-2765-000 C10 /6/		AR
509	CM05ED240J03	2	CAPACITOR,FXD, MICA DIEI, 24PF, 5%, 500V (V81349) 912-2771-000 C10 /6/		AR
509	CM05ED270J03	2	CAPACITOR,FXD, MICA DIEI, 27PF, 5%, 500V (V81349) 912-2774-000 C10 /6/		AR
509	DM15E330K500WV4C R	2	CAPACITOR,FXD, MICA DIEI, 33PF, 10%, 500V (V72136) 912-2781-000 C10 /6/		AR
509	CM05ED330J03	2	CAPACITOR,FXD, MICA DIEI, 33PF, 5%, 500V (V81349) 912-2780-000 C10 /6/		AR
509	CM05ED390J03	2	CAPACITOR,FXD, MICA DIEI, 39PF, 5%, 500V (V81349) 912-2786-000 C10 /6/		AR
509	CM05ED430J03	2	CAPACITOR,FXD, MICA DIEI, 43PF, 5%, 500V (V81349) 912-2789-000 C10 /6/		AR
509	DM15E470K500WV4C R	2	CAPACITOR,FXD, MICA DIEI, 47PF, 10%, 500V (V72136) 912-2793-000 C10 /6/		AR
509	DM15E510K500WV4C R	2	CAPACITOR,FXD, MICA DIEI, 51PF, 10%, 500V (V72136) 912-2796-000 C10 /6/		AR
509	DM15E560K500WV4C R	2	CAPACITOR,FXD, MICA DIEI, 56PF, 10%, 500V (V72136) 912-2799-000 C10 /6/		AR
509	CM05ED620J03	2	CAPACITOR,FXD, MICA DIEI, 62PF, 5%, 500V (V81349) 912-2801-000 C10 /6/		AR
509	CM05ED680J03	2	CAPACITOR,FXD, MICA DIEI, 68PF, 5%, 500V (V81349) 912-2804-000 C10 /6/		AR

GROUP ASSEMBLY PARTS LIST

FIG - ITEM	PART NO	INDENT	DESCRIPTION	USABLE ON CODE	UNITS PER ASSY
6-2	509	CM05ED750J03	2 CAPACITOR,FXD, MICA DIEL, 75PF, 5%, 500V (V81349) 912-2807-000 C10 /6/		AR
	509	CM05ED470J03	2 CAPACITOR,FXD, MICA DIEL, 47PF, 5%, 500V (V81349) 912-2792-000 C10 /6/	A	AR
	509	CM05ED820J03	2 CAPACITOR,FXD, MICA DIEL, 82PF, 5%, 500V (V81349) 912-2810-000 C10 /6/	B	AR
	509	CM05FD910J03	2 CAPACITOR,FXD, MICA DIEL, 91PF, 5%, 500V (V81349) 912-2813-000 C10 /6/		AR
	509	CM05FD111J03	2 CAPACITOR,FXD, MICA DIEL, 110PF, 5%, 500V (V81349) 912-2819-000 C10 /6/		AR
	509	CM05FD131J03	2 CAPACITOR,FXD, MICA DIEL, 130PF, 5%, 500V (V81349) 912-2825-000 C10 /6/	A	AR
	509	CM05FD121J03	2 CAPACITOR,FXD, MICA DIEL, 120PF, 5%, 500V (V81349) 912-2822-000 C10 /6/	B	AR
	509	CM05FD151J03	2 CAPACITOR,FXD, MICA DIEL, 150PF, 5%, 500V (V81349) 912-2828-000 C10 /6/		AR
	510	RTMT16M	2 TERMINAL,STUD (V91663) 306-0977-000		1
		P343-0286-000	2 SCREW,MACH, NP BRS, 4-40 X 5/16 (V77250) 343-0286-000 (AP)		1
		MS35335-85	2 WASHER,LOCK, CD PL BRZ, 0.123 ID X 0.255 OD (V96906) 373-7010-000 (AP)		1
	511	44C7A	2 CAPACITOR,FXD, CER DIEL, 4700PF, 20%, 500V (V56289) 913-3012-000 C100		1
	512	RCR20G474KS	2 RESISTOR,FXD, CMPSN, 0.47MEGO, 10%, 1/2W (V81349) 745-1464-000 R164		1
	512A	40C73A1	2 CAPACITOR,FXD, CER DIEL, 1000PF, 20%, 500V (V56289) 913-3009-000 C91		1
	513	RCR07G105KS	2 RESISTOR,FXD, CMPSN, 1MEGO, 10%, 1/4W (V81349) 745-0857-000 R13		1
	514	41C92	2 CAPACITOR,FXD, CER DIEL, 0.1UF, M20%P80%, 500V (V01939) 913-3152-000 C90		1
	515	RCR20G473KS	2 RESISTOR,FXD, CMPSN, 47K, 10%, 1/2W (V81349) 745-1422-000 R80		1
	515A	RCR20G470KS	2 RESISTOR,FXD, CMPSN, 47 OHMS, 10%, 1/2W (V81349) 745-1296-000 R175		1
	515B	36C175A	2 CAPACITOR,FXD, CER DIEL, 10000PF, 20%, 500V (V56289) 913-3013-000 C262 /20/		1
	516	8131M203-651-104 Z	2 CAPACITOR,FXD, CER DIEL, 0.1UF, M20%P80%, 200V (V72982) 913-3681-000 C231		1
	517	RCR32G562KS	2 RESISTOR,FXD, CMPSN, 5.6K, 10%, 1W (V81349) 745-3384-000 R81		1
	518	RCR20G102KS	2 RESISTOR,FXD, CMPSN, 1K, 10%, 1/2W (V81349) 745-1352-000 R12		1
	519	331013X5U0501K	2 CAPACITOR,FXD, CER DIEL, 500PF, 10%, 500V (V72982) 913-0998-000 C249		1
	520	36C175A	2 CAPACITOR,FXD, CER DIEL, 10000PF, 20%, 500V (V56289) 913-3013-000 C89 /20/		1
	521	331013X5U0501K	2 CAPACITOR,FXD, CER DIEL, 500PF, 10%, 500V (V72982) 913-0998-000 C248		1
	522	2DDD63G104XAA	2 CAPACITOR,FXD, CER DIEL, 1UF, M30%P80%, 75V (V71590) 913-3794-000 C101		1
	523	RCR20G393KS	2 RESISTOR,FXD, CMPSN, 39K, 10%, 1/2W (V81349) 745-1419-000 R120		1
	524	RCR42G473KS	2 RESISTOR,FXD, CMPSN, 47K, 10%, 2W (V81349) 745-5722-000 R122		1
	525	RCR20G221KS	2 RESISTOR,FXD, CMPSN, 220 OHMS, 10%, 1/2W (V81349) 745-1324-000 R158A /20/		1
	525A	RCR07G390KS	2 RESISTOR,FXD, CMPSN, 39 OHMS, 10%, 1/4W (V81349) 745-0698-000 R158B /20/		AR
	525A	RCR07G470KS	2 RESISTOR,FXD, CMPSN, 47 OHMS, 10%, 1/4W (V81349) 745-0701-000 R158B /20/		AR
	525A	RCR07G560KS	2 RESISTOR,FXD, CMPSN, 56 OHMS, 10%, 1/4W (V81349) 745-0704-000 R158B /20/		AR

section 6
parts list

GROUP ASSEMBLY PARTS LIST

FIG - ITEM	PART NO	INDENT	DESCRIPTION	USABLE ON CODE	UNITS PER ASSY
6-2	525A RCR07G680KS	2	RESISTOR,FXD, CMPSN, 68 OHMS, 10%, 1/4W (V81349) 745-0707-000 R158B /20/		AR
	525A RCR07G820KS	2	RESISTOR,FXD, CMPSN, 82 OHMS, 10%, 1/4W (V81349) 745-0710-000 R158B /20/		AR
	525A RCR07G101KS	2	RESISTOR,FXD, CMPSN, 100 OHMS, 10%, 1/4W (V81349) 745-0713-000 R158B /20/		AR
	525A RCR07G121KS	2	RESISTOR,FXD, CMPSN, 120 OHMS, 10%, 1/4W (V81349) 745-0716-000 R158B /20/		AR
	525A RCR07G151KS	2	RESISTOR,FXD, CMPSN, 150 OHMS, 10%, 1/4W (V81349) 745-0719-000 R158B /20/		AR
	525A RCR07G181KS	2	RESISTOR,FXD, CMPSN, 180 OHMS, 10%, 1/4W (V81349) 745-0722-000 R158B /20/		AR
	525A RCR07G221KS	2	RESISTOR,FXD, CMPSN, 220 OHMS, 10%, 1/4W (V81349) 745-0725-000 R158B /20/		AR
	526 RCR20G683KS	2	RESISTOR,FXD, CMPSN, 68K, 10%, 1/2W (V81349) 745-1429-000 R147		1
	527 DM15F101K500WV4C R	2	CAPACITOR,FXD, MICA DIEL, 100PF, 10%, 500V (V72136) 912-2817-000 C87		1
	528 RCR07G105KS	2	RESISTOR,FXD, CMPSN, 1MEGO, 10%, 1/4W (V81349) 745-0857-000 R78		1
	529 RCR32G472KS	2	RESISTOR,FXD, CMPSN, 4.7K, 10%, 1W (V81349) 745-3380-000 R176		1
	530 RCR20G101KS	2	RESISTOR,FXD, CMPSN, 100 OHMS, 10%, 1/2W (V81349) 745-1310-000 R196 /17/		1
	531 1N1490	2	SEMICONV DEVICE (V93983) 353-1659-000 CR10 /3/		1
	532 RCR07G394KS	2	RESISTOR,FXD, CMPSN, 0.39MEGO, 10%, 1/4W (V81349) 745-0842-000 R52 /1/		1
	532 RCR07G334KS	2	RESISTOR,FXD, CMPSN, 0.33MEGO, 10%, 1/4W (V81349) 745-0839-000 R52 /1/		1
	533 RCR20G393KS	2	RESISTOR,FXD, CMPSN, 39K, 10%, 1/2W (V81349) 745-1419-000 R79		1
	534 RCR20G102KS	2	RESISTOR,FXD, CMPSN, 1K, 10%, 1/2W (V81349) 745-1352-000 R77		1
	535 RCR07G473KS	2	RESISTOR,FXD, CMPSN, 47K, 10%, 1/4W (V81349) 745-0809-000 R145 /20/		1
	535 RCR07G154KS	2	RESISTOR,FXD, CMPSN, 0.15MEGO, 10%, 1/4W (V81349) 745-0827-000 R145 /20/		1
	535 RCR07G683KS	2	RESISTOR,FXD, CMPSN, 68K, 10%, 1/4W (V81349) 745-0815-000 R145 /20/		1
	535 RCR07G823KS	2	RESISTOR,FXD, CMPSN, 82K, 10%, 1/4W (V81349) 745-0818-000 R145 /20/		1
	536 DM15F471J300WV4C R	2	CAPACITOR,FXD, MICA DIEL, 470PF, 5%, 500V (V72136) 912-2864-000 C52		1
	537 41C92	2	CAPACITOR,FXD, CER DIEL, 0.1UF, M20%P80%, 500V (V01939) 913-3152-000 C49		1
	538 RCR20G184KS	2	RESISTOR,FXD, CMPSN, 0.18MEGO, 10%, 1/2W (V81349) 745-1447-000 R89		1
	539 DM15F471J300WV4C R	2	CAPACITOR,FXD, MICA DIEL, 470PF, 5%, 500V (V72136) 912-2864-000 C50		1
	540 DM15F471J300WV4C R	2	CAPACITOR,FXD, MICA DIEL, 470PF, 5%, 500V (V72136) 912-2864-000 C105		1
	541 RCR07G105KS	2	RESISTOR,FXD, CMPSN, 1MEGO, 10%, 1/4W (V81349) 745-0857-000 R171		1
	542 36C175A	2	CAPACITOR,FXD, CER DIEL, 10000PF, 20%, 500V (V56289) 913-3013-000 C232		1
	543 RCR20G104KS	2	RESISTOR,FXD, CMPSN, 0.10MEGO, 10%, 1/2W (V81349) 745-1436-000 R49		1
	544 RTMT16M	2	TERMINAL,STUD (V91663) 306-0977-000		1
	545 DM15F471J300WV4C R	2	CAPACITOR,FXD, MICA DIEL, 470PF, 5%, 500V (V72136) 912-2864-000 C51		1
	546 RCR20G473KS	2	RESISTOR,FXD, CMPSN, 47K, 10%, 1/2W (V81349) 745-1422-000 R50 /2/		1

GROUP ASSEMBLY PARTS LIST

FIG - ITEM	PART NO	INDENT	DESCRIPTION	USABLE ON CODE	UNITS PER ASSY
6-2	546	RCR32G473KS	2 RESISTOR,FXD, CMPSN, 47K, 10%, 1W (V81349) 745-3422-000 R50 /2/		1
	547	RCR20G470KS	2 RESISTOR,FXD, CMPSN, 47 OHMS, 10%, 1/2W (V81349) 745-1296-000 R215 /39/		1
	548	DM15F101K500WV4C R	2 CAPACITOR,FXD, MICA DIEI, 100PF, 10%, 500V (V72136) 912-2817-000 C261		1
	549	RCR07G105KS	2 RESISTOR,FXD, CMPSN, 1MEGO, 10%, 1/4W (V81349) 745-0857-000 R181		1
	550	RCR07G394KS	2 RESISTOR,FXD, CMPSN, 0.39MEGO, 10%, 1/4W (V81349) 745-0842-000 R51 /1/		1
	550	RCR07G334KS	2 RESISTOR,FXD, CMPSN, 0.33MEGO, 10%, 1/4W (V81349) 745-0839-000 R51 /1/		1
	551	44C7A	2 CAPACITOR,FXD, CER DIEI, 4700PF, 20%, 500V (V56289) 913-3012-000 C24		1
	552	40C73A1	2 CAPACITOR,FXD, CER DIEI, 1000PF, 20%, 500V (V56289) 913-3009-000 C72		1
	553	RCR20G102KS	2 RESISTOR,FXD, CMPSN, 1K, 10%, 1/2W (V81349) 745-1352-000 R102		1
	554	RCR20G124KS	2 RESISTOR,FXD, CMPSN, 0.12MEGO, 10%, 1/2W (V81349) 745-1440-000 R134		1
	555	36C175A	2 CAPACITOR,FXD, CER DIEI, 10000PF, 20%, 500V (V56289) 913-3013-000 C80		1
	556	RCR07G273KS	2 RESISTOR,FXD, CMPSN, 27K, 10%, 1/4W (V81349) 745-0800-000 R53 /1/		1
	556	RCR20G183KS	2 RESISTOR,FXD, CMPSN, 18K, 10%, 1/2W (V81349) 745-1405-000 R53 /1/		1
	557	RCR20G470KS	2 RESISTOR,FXD, CMPSN, 47 OHMS, 10%, 1/2W (V81349) 745-1296-000 R162 /17/		1
	557	RCR20G220KS	2 RESISTOR,FXD, CMPSN, 22 OHMS, 10%, 1/2W (V81349) 745-1282-000 R162 /17/		AR
	557	RCR20G270KS	2 RESISTOR,FXD, CMPSN, 27 OHMS, 10%, 1/2W (V81349) 745-1286-000 R162 /17/		AR
	557	RCR20G330KS	2 RESISTOR,FXD, CMPSN, 33 OHMS, 10%, 1/2W (V81349) 745-1289-000 R162 /17/		AR
	557	RCR20G390KS	2 RESISTOR,FXD, CMPSN, 39 OHMS, 10%, 1/2W (V81349) 745-1293-000 R162 /17/		AR
	557	RCR20G470KS	2 RESISTOR,FXD, CMPSN, 47 OHMS, 10%, 1/2W (V81349) 745-1296-000 R162 /17/		AR
	557	RCR20G560KS	2 RESISTOR,FXD, CMPSN, 56 OHMS, 10%, 1/2W (V81349) 745-1300-000 R162 /17/		AR
	557	RCR20G680KS	2 RESISTOR,FXD, CMPSN, 68 OHMS, 10%, 1/2W (V81349) 745-1303-000 R162 /17/		AR
	557	RCR20G820KS	2 RESISTOR,FXD, CMPSN, 82 OHMS, 10%, 1/2W (V81349) 745-1307-000 R162 /17/		AR
	557	RCR20G101KS	2 RESISTOR,FXD, CMPSN, 100 OHMS, 10%, 1/2W (V81349) 745-1310-000 R162 /17/		AR
	558	RCR20G560KS	2 RESISTOR,FXD, CMPSN, 56 OHMS, 10%, 1/2W (V81349) 745-1300-000 R22 /17/		1
	558	RCR20G101KS	2 RESISTOR,FXD, CMPSN, 100 OHMS, 10%, 1/2W (V81349) 745-1310-000 R22 /17/		1
	559	MS75008-40	2 COIL,RF, 10UH (V96906) 240-0149-000 L35 (EPF TO REV LTR DK)		1
	559	MS75101-7	2 COIL,RF, 10UH (V96906) 240-1600-000 L35 (EPF REV LTR DK)		1
	560	RTMT16M	2 TERMINAL,STUD (V91663) 306-0977-000		1
	561	RCR42G123KS	2 RESISTOR,FXD, CMPSN, 12K, 10%, 2W (V81349) 745-5698-000 R99		1
	562	44C7A	2 CAPACITOR,FXD, CER DIEI, 4700PF, 20%, 500V (V56289) 913-3012-000 C103		1
	563	RCR20G224KS	2 RESISTOR,FXD, CMPSN, 0.22MEGO, 10%, 1/2W (V81349) 745-1450-000 R96		1
	564	19C372	2 CAPACITOR,FXD, CER DIEI, 470PF, 20%, 500V (V56289) 913-3007-000 C223		1

section 6
parts list

GROUP ASSEMBLY PARTS LIST

FIG - ITEM	PART NO	INDENT	DESCRIPTION	USABLE ON CODE	UNITS PER ASSY
6-2	565	RCR07G225KS	2 RESISTOR,FXD, CMPSN, 2.2MEGO, 10%, 1/4W (V81349) 745-0869-000 R94		1
	566	RCR07G105KS	2 RESISTOR,FXD, CMPSN, 1MEGO, 10%, 1/4W (V81349) 745-0857-000 R93		1
	567	36C175A	2 CAPACITOR,FXD, CER DIEI, 10000PF, 20%, 500V (V56289) 913-3013-000 C277 /368/		1
	568	RCR20G101KS	2 RESISTOR,FXD, CMPSN, 100 OHMS, 10%, 1/2W (V81349) 745-1310-000 R209		1
	569	36C175A	2 CAPACITOR,FXD, CER DIEI, 10000PF, 20%, 500V (V56289) 913-3013-000 C235 /20/		1
	570	RCR07G473KS	2 RESISTOR,FXD, CMPSN, 47K, 10%, 1/4W (V81349) 745-0809-000 R91		1
	571	RCR20G155KS	2 RESISTOR,FXD, CMPSN, 1.5MEGO, 10%, 1/2W (V81349) 745-1485-000 R155		1
	572	PW7-2500-10PCT	2 RESISTOR,FXD,WW 2.5K, 10%, 7W (V07716) 710-9000-000 R86		1
	573	19C372	2 CAPACITOR,FXD, CER DIEI, 470PF, 20%, 500V (V56289) 913-3007-000 C98		1
	574	DM15C100K500WV4C R	2 CAPACITOR,FXD, MICA DIEI, 10PF, 10%, 500V (V72136) 912-2754-000 C94		1
	575	RTMT16M P343-0285-000	2 TERMINAL,STUD (V91663) 306-0977-000		1
			2 SCREW,MACH, NP BRS, 4-40 X 1/4 (V77250) 343-0285-000 (AP)		1
		310-0077-000	2 WASHER,LOCK, BRZ, 0.141 ID X 0.253 OD (V79807) 310-0077-000 (AP)		1
	576	MS90540-07	2 COIL,RF, 2000UH (V96906) 240-2547-000 L31		1
	577	RCR20G821KS	2 RESISTOR,FXD, CMPSN, 820 OHMS, 10%, 1/2W (V81349) 745-1349-000 R88		1
	578	541-5183-002 P343-0288-000	2 BUTTON,CABLE		2
			2 SCREW,MACH, NP BRS, 4-40 X 7/16 (V77250) 343-0288-000 (AP)		2
	579	44C7A	2 CAPACITOR,FXD, CER DIEI, 4700PF, 20%, 500V (V56289) 913-3012-000 C96		1
	580		(NOT USED)		
	581	D28121	2 CAPACITOR,FXD, ELCTLT, 100UF, M10%P100%, 6V (V56289) 183-1782-000 C102		1
	582	RCR20G624JS	2 RESISTOR,FXD, CMPSN, 0.62MEGO, 5%, 1/2W (V81349) 745-1469-000 R210 /26/		1
	583	36C175A	2 CAPACITOR,FXD, CER DIEI, 10000PF, 20%, 500V (V56289) 913-3013-000 C275 /26/		1
	584	19C372	2 CAPACITOR,FXD, CER DIEI, 470PF, 20%, 500V (V56289) 913-3007-000 C99		1
	585	RCR20G681KS	2 RESISTOR,FXD, CMPSN, 680 OHMS, 10%, 1/2W (V81349) 745-1345-000 R166		1
	586	RCR20G562KS	2 RESISTOR,FXD, CMPSN, 5.6K, 10%, 1/2W (V81349) 745-1384-000 R95		1
	587	6H12 P343-0328-000	2 TERMINAL BOARD (V82893) 306-0909-000		1
			2 SCREW,MACH, NP BRS, 6-32 X 1/4 (V77250) 343-0328-000 (AP)		1
		MS35338-98	2 WASHER,SPRING, CD PL BRZ, 0.141 ID X 0.250 OD (V96906) 310-0096-000 (AP)		1
	588	RCR20G682KS	2 RESISTOR,FXD, CMPSN, 6.8K, 10%, 1/2W (V81349) 745-1387-000 R87		1
	589	RCR07G471KS	2 RESISTOR,FXD, CMPSN, 470 OHMS, 10%, 1/4W (V81349) 745-0737-000 R211 /37/		1
	590	RCR20G273KS	2 RESISTOR,FXD, CMPSN, 27K, 10%, 1/2W (V81349) 745-1412-000 R90		1
	591	RCR42G273KS	2 RESISTOR,FXD, CMPSN, 27K, 10%, 2W (V81349) 745-5712-000 R177		1
	592	33C2	2 CAPACITOR,FXD, CER DIEI, 0.02UF, 20%, 500V (V56289) 913-2142-000 C56		1
	593	RCR20G224KS	2 RESISTOR,FXD, CMPSN, 0.22MEGO, 10%, 1/2W (V81349) 745-1450-000 R55		1

GROUP ASSEMBLY PARTS LIST

FIG - ITEM	PART NO	INDENT	DESCRIPTION	USABLE ON CODE	UNITS PER ASSY
6-2	594	44C7A	2 CAPACITOR,FXD, CER DIEI, 4700PF, 20%, 500V (V56289) 913-3012-000 C4		1
	595	RCR20G155KS	2 RESISTOR,FXD, CMPSN, 1.5MEGO, 10%, 1/2W (V81349) 745-1485-000 R156		1
	596	RCR20G474KS	2 RESISTOR,FXD, CMPSN, 0.47MEGO, 10%, 1/2W (V81349) 745-1464-000 R165		1
	597	RCR20G680KS	2 RESISTOR,FXD, CMPSN, 68 OHMS, 10%, 1/2W (V81349) 745-1303-000 R97		1
	598	RCR07G474KS	2 RESISTOR,FXD, CMPSN, 0.47MEGO, 10%, 1/4W (V81349) 745-0845-000 R98		1
	599	D29343	2 CAPACITOR,FXD, ELCTLT, 4UF, M10%P100%, 350V (V56289) 183-1783-000 C264 /3/		1
	599	TC65	2 CAPACITOR,FXD, ELCTLT, 20UF, M10%P50%, 350V (V37942) 183-1049-000 C264 /3/		1
	600	HP14N	2 CLAMP,LOOP (V09922) 150-1547-000		1
		MS51957-17	2 SCREW,MACH, STL, 4-40 X 1/2 (V96906) 343-0137-000 (AP)		1
		310-0045-000	2 WASHER,FLAT, SST, 0.125 ID X 0.312 OD (V79807) 310-0045-000 (AP)		1
		540-9045-000	2 POST (AP)		1
	601	RCR20G104KS	2 RESISTOR,FXD, CMPSN, 0.10MEGO, 10%, 1/2W (V81349) 745-1435-000 R71		1
	602	RCR20G102KS	2 RESISTOR,FXD, CMPSN, 1K, 10%, 1/2W (V81349) 745-1352-000 R6		1
	603	RCR07G473KS	2 RESISTOR,FXD, CMPSN, 47K, 10%, 1/4W (V81349) 745-0809-000 R138		1
	604	36C175A	2 CAPACITOR,FXD, CER DIEI, 10000PF, 20%, 500V (V56289) 913-3013-000 C8		1
	605	RCR07G474KS	2 RESISTOR,FXD, CMPSN, 0.47MEGO, 10%, 1/4W (V81349) 745-0845-000 R5		1
	605A	1N34A	2 SEMICOND DEVICE (V93332) 353-0103-000 CR1 ,CR2 ,CR3,CR4 /4/		4
	605A	FA-4200	2 SEMICOND DEVICE (V07263) 353-3271-000 CR1 ,CR2 ,CR3,CR4 /4A/		4
	606	913-3829-000	2 CAPACITOR,FXD, CER DIEI, 0.01UF, GMV, 500V (V71590) 913-3829-000 C181 ,C182(DUAL CAPACITOR)		1
	606A	RCR07G181KS	2 RESISTOR,FXD, CMPSN, 180 OHMS, 10%, 1/4W (V81349) 745-0722-000 R203		1
	607	RCR07G181KS	2 RESISTOR,FXD, CMPSN, 180 OHMS, 10%, 1/4W (V81349) 745-0722-000 R206 /5/		1
	608	RCR07G221KS	2 RESISTOR,FXD, CMPSN, 220 OHMS, 10%, 1/4W (V81349) 745-0725-000 R205 /5/		1
	610	RCR07G271KS	2 RESISTOR,FXD, CMPSN, 270 OHMS, 10%, 1/4W (V81349) 745-0728-000 R16 /4/		1
	610	RCR07G181KS	2 RESISTOR,FXD, CMPSN, 180 OHMS, 10%, 1/4W (V81349) 745-0722-000 R16 /4A/		1
	610	RCR07G470KS	2 RESISTOR,FXD, CMPSN, 47 OHMS, 10%, 1/4W (V81349) 745-0701-000 R16 /5/		1
	611	RTMT16M	2 TERMINAL,STUD (V91663) 306-0977-000		1
		P343-0286-000	2 SCREW,MACH, NP BRS, 4-40 X 5/16 (V77250) 343-0286-000 (AP)		1
		MS35335-85	2 WASHER,LOCK, CD PL BRZ, 0.123 ID X 0.255 OD (V96906) 373-7010-000 (AP)		1
	612	RCR07G271KS	2 RESISTOR,FXD, CMPSN, 270 OHMS, 10%, 1/4W (V81349) 745-0728-000 R14 /4/		1
	612	RCR07G181KS	2 RESISTOR,FXD, CMPSN, 180 OHMS, 10%, 1/4W (V81349) 745-0722-000 R14 /4A/		1
	612	RCR07G470KS	2 RESISTOR,FXD, CMPSN, 47 OHMS, 10%, 1/4W (V81349) 745-0701-000 R14 /5/		1
	613	MS90539-15	2 COIL,RF, 1000UH (V96906) 240-2540-000 L39 /4A/		1
	614	WR5434	2 RESISTOR,VAR, 250 OHMS, 30%, 0.2W (V71450) 376-4602-000 R15 /4/		1

section 6
parts list

GROUP ASSEMBLY PARTS LIST

FIG - ITEM	PART NO	INDENT	DESCRIPTION	USABLE ON CODE	UNITS PER ASSY
6-2	614	WR5455	2 RESISTOR,VAR, 1K, 20%, 0.2W (V71450) 376-4623-000 R15 /4A/		1
	614	WR5453	2 RESISTOR,VAR, 250 OHMS, 20%, 0.2W (V71450) 376-4621-000 R15 /5/		1
		P334-0253-00	2 NUT,PLAIN,HEX, NP BRS, 1/4-32 (V77250) 334-0253-000 (AP)		1
		1214-05	2 WASHER,LOCK, CD PL STL, 0.267 ID X 0.408 OD (V78189) 373-0087-000 (AP)		1
	614A	RCR07G820KS	2 RESISTOR,FXD, CMPSN, 82 OHMS, 10%, 1/4W (V81349) 745-0710-000 R172 /4/		1
	615	MS90539-15	2 COIL,RF, 1000UH (V96906) 240-2540-000 L38 /4A/		1
	616	CM06FD511J03	2 CAPACITOR,FXD, MICA DIEI, 510PF, 5%, 500V (V81349) 912-2980-000 C88		1
	617	36C175A	2 CAPACITOR,FXD, CER DIEI, 10000PF, 20%, 500V (V56289) 913-3013-000 C7		1
	618	RCR20G470KS	2 RESISTOR,FXD, CMPSN, 47 OHMS, 10%, 1/2W (V81349) 745-1296-000 R195 /10/		1
	619	RCR20G105KS	2 RESISTOR,FXD, CMPSN, 1MEGO, 10%, 1/2W (V81349) 745-1478-000 R54		1
	620	CM05FD101J03	2 CAPACITOR,FXD, MICA DIEI, 100PF, 5%, 500V (V81349) 912-2816-000 C55 /10/		1
	620	CM05FD181J03	2 CAPACITOR,FXD, MICA DIEI, 180PF, 5%, 500V (V81349) 912-2834-000 C55 /10/		1
	621	40C73A1	2 CAPACITOR,FXD, CER DIEI, 1000PF, 20%, 500V (V56289) 913-3009-000 C234		1
	622	D31582	2 CAPACITOR,FXD, ELCTLT, 8UF, M10%P75%, 25V (V56289) 183-1167-000 C259		1
	623	MS90538-20	2 COIL,RF, 220UH (V96906) 240-2524-000 L22 /9A/		1
	623	MS75089-15	2 COIL,RF, 220UH (V96906) 240-2715-410 L22 /9A/		1
	624	DM15C150K500WV4C R	2 CAPACITOR,FXD, MICA DIEI, 15PF, 10%, 500V (V72136) 912-2760-000 C53		1
	625	RCR20G473KS	2 RESISTOR,FXD, CMPSN, 47K, 10%, 1/2W (V81349) 745-1422-000 R7		1
	626	RCR20G222KS	2 RESISTOR,FXD, CMPSN, 2.2K, 10%, 1/2W (V81349) 745-1366-000 R190 /37/		1
	626	RCR20G152KS	2 RESISTOR,FXD, CMPSN, 1.5K, 10%, 1/2W (V81349) 745-1359-000 R190 /37/		1
	627	RCR20G104KS	2 RESISTOR,FXD, CMPSN, 0.10MEGO, 10%, 1/2W (V81349) 745-1436-000 R35		1
	628	BL290-8705-000	2 XTAL UNIT,QTZ, 453.6500KHZ (V71034) 290-8705-000 Y16		1
	629	BL290-8706-000	2 XTAL UNIT,QTZ, 456.3500KHZ (V71034) 290-8706-000 Y17		1
	630	197029K4 P334-4060-000	2 SWITCH,RTRY (V76854) 259-1076-000 S9		1
			2 NUT,PLAIN,HEX, NP BRS 3/8-32 (V77250) 334-4060-000 (AP)		1
		1720-02	2 WASHER,LOCK, SST, 0.391 ID X 0.507 OD (V78189) 373-0085-000 (AP)		1
	631	RCR32G100KS	2 RESISTOR,FXD, CMPSN, 10 OHMS, 10%, 1W (V81349) 745-3268-000 R100		1
	632	RCR42G223KS	2 RESISTOR,FXD, CMPSN, 22K, 10%, 2W (V81349) 745-5708-000 R70		1
	633	RCR32G153KS	2 RESISTOR,FXD, CMPSN, 15K, 10%, 1W (V81349) 745-3401-000 R69		1
	634	1N458	2 SEMICOND DEVICE (V14140) 353-0205-000 CR8		1
	635	RCR07G473KS	2 RESISTOR,FXD, CMPSN, 47K, 10%, 1/4W (V81349) 745-0809-000 R139		1
	636	RCR20G102KS	2 RESISTOR,FXD, CMPSN, 1K, 10%, 1/2W (V81349) 745-1352-000 R57		1
	637	19C372	2 CAPACITOR,FXD, CER DIEI, 470PF, 20%, 500V (V56289) 913-3007-000 C215		1
	638	RCR20G562KS	2 RESISTOR,FXD, CMPSN, 5.6K, 10%, 1/2W (V81349) 745-1384-000 R56		1

GROUP ASSEMBLY PARTS LIST

FIG - ITEM	PART NO	INDENT	DESCRIPTION	USABLE ON CODE	UNITS PER ASSY
6-2	639 44C7A	2	CAPACITOR,FXD, CER DIEL, 4700PF, 20%, 500V (V56289) 913-3012-000 C256		1
	640 RCR20G823KS	2	RESISTOR,FXD, CMPSN, 82K, 10%, 1/2W (V81349) 745-1433-000 R189		1
	641 6H12	2	TERMINAL BOARD (V82893) 306-0909-000		1
	P343-0328-000	2	SCREW,MACH, NP BRS, 6-32 X 1/4 (V77250) 343-0328-000 (AP)		1
	MS35338-98	2	WASHER,SPRING, CD PL BRZ, 0.141 ID X 0.250 OD (V96906) 310-0096-000 (AP)		1
	642 913-3829-000	2	CAPACITOR,FXD, CER DIEL, 0.01UF, GMV, 500V (V71590) 913-3829-000 C165 ,C166(DUAL CAPACITOR)		1
	643 2DDH63N103M	2	CAPACITOR,FXD, CER DIEL, 10000PF, 20%, 1000V (V71590) 913-3922-000 C163		1
	644 2DDH63N103M	2	CAPACITOR,FXD, CER DIEL, 10000PF, 20%, 1000V (V71590) 913-3922-000 C162		1
	645 86CP11-1008	2	CONNECTOR,PLUG, ELEC (V02660) 372-1950-000 J13		1
	646 546-3328-002	2	SHELL,ELECTRIAL CONNECTOR		1
	MS35649-244	2	NUT,PLAIN,HEX, SST, 4-40 (V96906) 313-0043-000 (AP FOR 645-646)		2
	546-8005-002	2	SPACER (AP FOR 645-646)		2
	MS35335-85	2	WASHER,LOCK, CD PL BRZ, 0.123 ID X 0.255 OD (V96906) 373-7010-000 (AP FOR 645-646)		2
	P330-2292-000	2	SCREW,MACH, SST, 4-40 X 3/8 (V77250) 330-2292-000 (AP FOR 645-646)		2
	647 913-3829-000	2	CAPACITOR,FXD, CER DIEL, 0.01UF, GMV, 500V (V71590) 913-3829-000 C161 ,C164(DUAL CAPACITOR)		1
	648 913-3829-000	2	CAPACITOR,FXD, CER DIEL, 0.01UF, GMV, 500V (V71590) 913-3829-000 C167 ,C190(DUAL CAPACITOR)		1
	649 36C175A	2	CAPACITOR,FXD, CER DIEL, 10000PF, 20%, 500V (V56289) 913-3013-000 C169		1
	650 DA172-057CB	2	CAPACITOR,FXD, CER DIEL, 0.001UF, M20X100X, 2000V (V71590) 913-3537-000 C168		1
	650 858W5T2KV1KPFPOR M20PCT	2	CAPACITOR,FXD, CER DIEL, 1000PF, 20%, 2000V (V72982) 913-4803-000 C168		1
	651 37859	2	TRANSFORMER,AF (V73386) 667-0368-000 T6		1
	652 540-9448-003	2	POST		2
	P343-0328-000	2	SCREW,MACH, NP BRS, 6-32 X 1/4 (V77250) 343-0328-000 (AP FOR 651-652)		4
	MS35338-98	2	WASHER,SPRING, CD PL BRZ, 0.141 ID X 0.250 OD (V96906) 310-0096-000 (AP FOR 651-652)		4
	653 LT4K039	2	COIL,RF, 2.70UH (V81349) 240-0069-000 L27 (EFF TO REV LTR DR)		1
	653 MS75008-33	2	COIL,RF, 2.7UH (V96906) 240-1593-000 L27 (EFF REV LTR DR)		1
	654 913-3829-000	2	CAPACITOR,FXD, CER DIEL, 0.01UF, GMV, 500V (V71590) 913-3829-000 C194 ,C202(DUAL CAPACITOR)		1
	655 RCR32G680KS	2	RESISTOR,FXD, CMPSN, 68 OHMS, 10%, 1W (V81349) 745-3303-000 R157		1
	656 36C175A	2	CAPACITOR,FXD, CER DIEL, 10000PF, 20%, 500V (V56289) 913-3013-000 C193		1
	657 36C175A	2	CAPACITOR,FXD, CER DIEL, 10000PF, 20%, 500V (V56289) 913-3013-000 C196		1
	658 546-0255-000	2	COVER,RELAY /36/		1
	P343-0285-000	2	SCREW,MACH, NP BRS, 4-40 X 1/4 (V77250) 343-0285-000 (AP)		3
	659 30040-3	2	RETAINER,RLY SO (V02288) 220-1512-000		1
	660 RCR20G470KS	2	RESISTOR,FXD, CMPSN, 47 OHMS, 10%, 1/2W (V81349) 745-1296-000 R101		1
	661 36C175A	2	CAPACITOR,FXD, CER DIEL, 10000PF, 20%, 500V (V56289) 913-3013-000 C108		1
	662 110-3680	2	RELAY,AMT (V04221) 970-1941-000 K4 /36/		1

section 6
parts list

GROUP ASSEMBLY PARTS LIST

FIG - ITEM	PART NO	INDENT	DESCRIPTION	USABLE ON CODE	UNITS PER ASSY
6-2	662	T163X97	2 RELAY,AMT (V70309) 970-2439-020 K4 /36/		1
		P343-0384-000	2 SCREW,MACH, NP BRS, 3-48 X 1/4 (V77250)		2
			343-0384-000 (AP)		
		310-0076-000	2 WASHER,LOCK, BRZ, 0.115 ID X 0.212 OD (V79807)		2
			310-0076-000 (AP)		
	663	30055-20	2 SOCKET,RLY (V02288) 220-1511-000 XK4 /36/		1
	664	G2619	2 TERMINAL,STUD (V21242) 306-0324-000 /36/		5
	664A	RCR07G104KS	2 RESISTOR,FXD, CMPSN, 0.10MEGO, 10%, 1/4W (V81349) 745-0821-000 R170		1
	665	757-8471-001	2 BRACKET,RELAY /35/		1
		330-0731-000	2 SCREW,TPG,THD, CD PL STL, 4-24 X 1/4 (V45722)		2
			330-0731-000 (AP)		
	666	0228-001-002	2 SOCKET,RLY (V02288) 220-1472-000		1
	667	B106703	2 RELAY,AMT (V71482) 970-1940-000 K2 /36/		1
	667	T163X96	2 RELAY,AMT (V70309) 970-2439-010 K2 /36/		1
		P343-0284-000	2 SCREW,MACH, NP BRS, 4-40 X 3/16 (V77250)		2
			343-0284-000 (AP)		
		310-0077-000	2 WASHER,LOCK, BRZ, 0.141 ID X 0.253 OD (V79807)		2
			310-0077-000 (AP)		
	668	0211-012-002-00	2 SOCKET,RLY (V02288) 220-1471-000 XK2 /36/		1
	669	RTMT16M	2 TERMINAL,STUD (V91663) 306-0977-000		1
		P343-0285-000	2 SCREW,MACH, NP BRS, 4-40 X 1/4 (V77250)		1
			343-0285-000 (AP)		
		MS35335-85	2 WASHER,LOCK, CD PL BRZ, 0.123 ID X 0.255 OD (V96906) 373-7010-000 (AP)		1
	670	2104-04-01-2520N	2 TERMINAL,LUG (V78189) 304-0317-000		1
	671	RCR20G101KS	2 RESISTOR,FXD, CMPSN, 100 OHMS, 10%, 1/2W (V81349) 745-1310-000 R167		1
	672	RCR20G470KS	2 RESISTOR,FXD, CMPSN, 47 OHMS, 10%, 1/2W (V81349)		1
			745-1296-000 R182 /35A/		
	672	RCR20G680KS	2 RESISTOR,FXD, CMPSN, 68 OHMS, 10%, 1/2W (V81349)		1
			745-1303-000 R182 /35A/		
	673	RCR20G681KS	2 RESISTOR,FXD, CMPSN, 680 OHMS, 10%, 1/2W (V81349) 745-1345-000 R126		1
	674	RCR20G123KS	2 RESISTOR,FXD, CMPSN, 12K, 10%, 1/2W (V81349)		1
			745-1398-000 R85		
	675	RCR07G335KS	2 RESISTOR,FXD, CMPSN, 3.3MEGO, 10%, 1/4W (V81349)		1
			745-0875-000 R83 /25/		
	675	RCR20G155KS	2 RESISTOR,FXD, CMPSN, 1.5MEGO, 10%, 1/2W (V81349)		1
			745-1485-000 R83 /25/		
	676	845-014X5V0503Z	2 CAPACITOR,FXD, CER DIEI, 0.05UF, M20%P80%, 100V (V72982) 913-3679-000 C93 /25/		1
	676	5C11A	2 CAPACITOR,FXD, CER DIEI, 0.47UF, M20%P80%, 25V (V56289) 913-3804-000 C93 /25/		1
	677	RCR20G104KS	2 RESISTOR,FXD, CMPSN, 0.10MEGO, 10%, 1/2W (V81349) 745-1436-000 R130		1
	678	RCR07G472KS	2 RESISTOR,FXD, CMPSN, 4.7K, 10%, 1/4W (V81349)		1
			745-0773-000 R82 /24/		
	678	RCR20G472KS	2 RESISTOR,FXD, CMPSN, 4.7K, 10%, 1/2W (V81349)		1
			745-1380-000 R82 /24/		
	679	RCR20G183KS	2 RESISTOR,FXD, CMPSN, 18K, 10%, 1/2W (V81349)		1
			745-1405-000 R133		
	680	RCR20G154KS	2 RESISTOR,FXD, CMPSN, 0.15MEGO, 10%, 1/2W (V81349) 745-1443-000 R180 /25/		1
	680	RCR20G684KS	2 RESISTOR,FXD, CMPSN, 0.68MEGO, 10%, 1/2W (V81349) 745-1471-000 R180 /25/		1
	681	33C58	2 CAPACITOR,FXD, CER DIEI, 0.05UF, M20%P80%, 500V (V01939) 913-3153-000 C276 /27/		1
	682	36C175A	2 CAPACITOR,FXD, CER DIEI, 10000PF, 20%, 500V (V56289) 913-3013-000 C92		1
	683	6H12	2 TERMINAL BOARD (V82893) 306-0909-000		1
		P343-0328-000	2 SCREW,MACH, NP BRS, 6-32 X 1/4 (V77250)		1
			343-0328-000 (AP)		

GROUP ASSEMBLY PARTS LIST

FIG - ITEM	PART NO	INDENT	DESCRIPTION	USABLE ON CODE	UNITS PER ASSY
6-2	MS35338-98	2	WASHER,SPRING, CD PL BRZ, 0.141 ID X 0.250 OD (V96906) 310-0096-000 (AP)		1
684	RCR20G183KS	2	RESISTOR,FXD, CMPSN, 18K, 10%, 1/2W (V81349) 745-1405-000 R116		1
685	RCR20G823KS	2	RESISTOR,FXD, CMPSN, 82K, 10%, 1/2W (V81349) 745-1433-000 R137		1
686	332-14-03-017 P313-0140-000	2	TERMINAL BOARD (V71785) 306-0587-000		1
		2	NUT,PLAIN,HEX, NP BRS, 6-32 (V77250) 313-0140-000 (AP)		1
	MS35338-98	2	WASHER,SPRING, CD PL BRZ, 0.141 ID X 0.250 OD (V96906) 310-0096-000 (AP)		1
687	36C175A	2	CAPACITOR,FXD, CER DIEI, 10000PF, 20%, 500V (V56289) 913-3013-000 C104		1
688	RCR07G225KS	2	RESISTOR,FXD, CMPSN, 2.2MEGO, 10%, 1/4W (V81349) 745-0869-000 R213 /27/		1
689	40C73A1	2	CAPACITOR,FXD, CER DIEI, 1000PF, 20%, 500V (V56289) 913-3009-000 C265 /25/		1
689	36C175A	2	CAPACITOR,FXD, CER DIEI, 10000PF, 20%, 500V (V56289) 913-3013-000 C265 /25/		1
690	1N458	2	SEMICOND DEVICE (V14140) 353-0205-000 CR11 /27/		1
691	41C92	2	CAPACITOR,FXD, CER DIEI, 0.1UF, M20%P80%, 500V (V01939) 913-3152-000 C211		1
692	RCR07G181KS	2	RESISTOR,FXD, CMPSN, 180 OHMS, 10%, 1/4W (V81349) 745-0722-000 R150		1
693	RCR20G102KS	2	RESISTOR,FXD, CMPSN, 1K, 10%, 1/2W (V81349) 745-1352-000 R117		1
694	22698-6MLW P313-0132-000	2	SWITCH,LVR (V82104) 259-1014-000 S12		1
		2	NUT,PLAIN,HEX, SST, 4-40 (V77250) 313-0132-000 (AP)		2
	310-0278-000	2	WASHER,LOCK, SST, 0.115 ID X 0.202 OD (V70318) 310-0278-000 (AP)		2
	P343-0329-000	2	SCREW,MACH, NP BRS, 6-32 X 5/16 (V77250) 343-0329-000 (AP)		2
695	BA811-2896	2	RESISTOR,VAR, 500K, 30%, 1/4W (V71590) 376-7405-000 R92		1
	P334-4060-000	2	NUT,PLAIN,HEX, NP BRS 3/8-32 (V77250) 334-4060-000 (AP)		1
	1720-02	2	WASHER,LOCK, SST, 0.391 ID X 0.507 OD (V78189) 373-0085-000 (AP)		1
696	544-9710-002 330-0731-000	2	BRACKET		1
		2	SCREW,TPG,THD, CD PL STL, 4-24 X 1/4 (V45722) 330-0731-000 (AP)		2
697	X003	2	TRANSFORMER,IF (V81815) 278-0276-000 T1 /4/		1
697	X682-1	2	TRANSFORMER,IF (V81815) 278-0696-000 T1 /4A/		1
698	3501FP	2	PHONO-JACK (V82389) 360-0148-000 J26		1
699	3501FP	2	PHONO-JACK (V82389) 360-0148-000 J23		1
700	3501FP 1214-05	2	PHONO-JACK (V82389) 360-0148-000 J22		1
		2	WASHER,LOCK, CD PL STL, 0.267 ID X 0.408 OD (V78189) 373-0087-000 (AP FOR 698-700)		3
701	557006U2P034R	2	CAPACITOR,VAR, 8 TO 50PF, 350V (V72982) 917-1196-000 C70		1
702	557006U2P034R	2	CAPACITOR,VAR, 8 TO 50PF, 350V (V72982) 917-1196-000 C63		1
703	557006U2P034R 330-0731-000	2	CAPACITOR,VAR, 8 TO 50PF, 350V (V72982) 917-1196-000 C65		1
		2	SCREW,TPG,THD, CD PL STL, 4-24 X 1/4 (V45722) 330-0731-000 (AP FOR 701-703)		1
704	191774-23 P334-4060-000	2	SWITCH,RTRY (V76854) 259-0980-000 S15		1
		2	NUT,PLAIN,HEX, NP BRS 3/8-32 (V77250) 334-4060-000 (AP)		1
	1720-02	2	WASHER,LOCK, SST, 0.391 ID X 0.507 OD (V78189) 373-0085-000 (AP)		1

section 6
parts list

GROUP ASSEMBLY PARTS LIST

FIG - ITEM	PART NO	INDENT	DESCRIPTION	USABLE ON CODE	UNITS PER ASSY
6-2	705	557006U2P034R	2 CAPACITOR,VAR, 8 TO 50PF, 350V (V72982) 917-1196-000 C67		1
		330-0731-000	2 SCREW,TPG,THD, CD PL STL, 4-24 X 1/4 (V45722) 330-0731-000 (AP)		1
	706	8A812-1211	2 RESISTOR,VAR, 500K, 30%, 1/4W (V71590) 376-7404-000 R8 (INCLUDES S10)		1
		P334-4060-000	2 NUT,PLAIN,HEX, NP BRS 3/8-32 (V77250) 334-4060-000 (AP)		1
		1720-02	2 WASHER,LOCK, SST, 0.391 ID X 0.507 OD (V78189) 373-0085-000 (AP)		1
	707	GSC232	2 FERRULE,RF GND (V59730) 304-0179-000		1
	708	913NEOPRENE45-55	2 GROMMET,RBR (V75543) 201-1090-000		2
	709	RTMT12M	2 TERMINAL,STUD (V91663) 306-0976-000		1
		P343-0284-000	2 SCREW,MACH, NP BRS, 4-40 X 3/16 (V77250) 343-0284-000 (AP)		1
		MS35335-85	2 WASHER,LOCK, CD PL BRZ, 0.123 ID X 0.255 OD (V96906) 373-7010-000 (AP)		1
	710	544-2825-002	2 SOCKET,CRYSTAL XY1		1
		MS51959-18	2 SCREW,MACH, SST, 4-40 X 5/8 (V96906) 342-0049-000 (AP)		2
		540-9045-003	2 POST (AP)		2
	711	905	2 GROMMET,RBR (V75543) 201-1060-000		7
	712	557-018-3-12A	2 CAPACITOR,VAR, CER DIEI, 3 TO 18PF, 350V (V72982) 917-1072-000 C76 /28/		1
	712	557-018-5-25A	2 CAPACITOR,VAR, CER DIEI, 5 TO 37.5PF, 350V (V72982) 917-1073-000 C76 /28/		1
	712	557006C0P039R	2 CAPACITOR,VAR, 5PF TO 25PF, 350V (V72982) 917-1194-000 C76 /28/		1
	713	557006U2P034R	2 CAPACITOR,VAR, 8 TO 50PF, 350V (V72982) 917-1196-000 C68		1
	714	557006C0P039R	2 CAPACITOR,VAR, 5PF TO 25PF, 350V (V72982) 917-1194-000 C36		1
	715	557-018-1-5-7A	2 CAPACITOR,VAR, CER DIEI, 1.5 TO 10.5PF, 350V (V72982) 917-1071-000 C39		1
	716	557006C0P039R	2 CAPACITOR,VAR, 5PF TO 25PF, 350V (V72982) 917-1194-000 C116		1
	717	557006U2P034R	2 CAPACITOR,VAR, 8 TO 50PF, 350V (V72982) 917-1196-000 C115		1
	718	557-018-3-12A	2 CAPACITOR,VAR, CER DIEI, 3 TO 18PF, 350V (V72982) 917-1072-000 C111		1
	719	557006U2P034R	2 CAPACITOR,VAR, 8 TO 50PF, 350V (V72982) 917-1196-000 C130		1
	720	557-018-5-25A	2 CAPACITOR,VAR, CER DIEI, 5 TO 37.5PF, 350V (V72982) 917-1073-000 C21		1
	720	557006C0P039R	2 CAPACITOR,VAR, 5PF TO 25PF, 350V (V72982) 917-1194-000 C21		1
	721	557-018-5-25A	2 CAPACITOR,VAR, CER DIEI, 5 TO 37.5PF, 350V (V72982) 917-1073-000 C134 /31/		1
	721	557-018-1-5-7A	2 CAPACITOR,VAR, CER DIEI, 1.5 TO 10.5PF, 350V (V72982) 917-1071-000 C134 /31/		1
	722	557006U2P034R	2 CAPACITOR,VAR, 8 TO 50PF, 350V (V72982) 917-1196-000 C109		1
	723	557006U2P034R	2 CAPACITOR,VAR, 8 TO 50PF, 350V (V72982) 917-1196-000 C129		1
	724	557006C0P039R	2 CAPACITOR,VAR, 5PF TO 25PF, 350V (V72982) 917-1194-000 C136		1
	725	557006U2P034R	2 CAPACITOR,VAR, 8 TO 50PF, 350V (V72982) 917-1196-000 C113		1
	726	557006U2P034R	2 CAPACITOR,VAR, 8 TO 50PF, 350V (V72982) 917-1196-000 C37		1
	727	557006U2P034R	2 CAPACITOR,VAR, 8 TO 50PF, 350V (V72982) 917-1196-000 C32		1

GROUP ASSEMBLY PARTS LIST

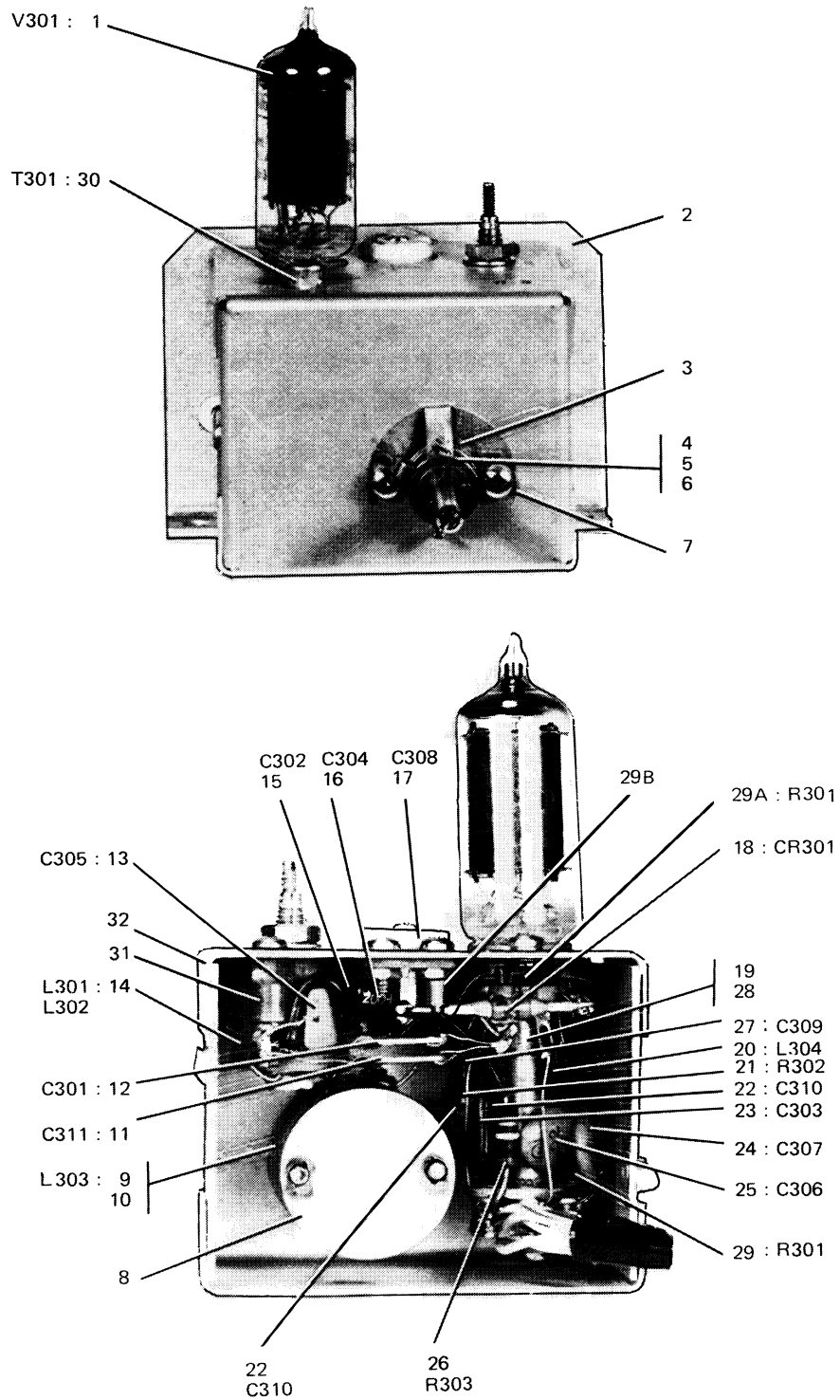
FIG - ITEM	PART NO	INDENT	DESCRIPTION	USABLE ON CODE	UNITS PER ASSY
6-2	728	557006U2P034R	2 CAPACITOR,VAR, 8 TO 50PF, 350V (V72982) 917-1196-000 C34		1
		330-0731-000	2 SCREW,TPG,THD, CD PL STL, 4-24 X 1/4 (V45722) 330-0731-000 (AP FOR 712-728)		34
	729	X094-1	2 TUNING UNIT,RF (V81815) 278-0293-000 L4 (L4 AND T2 ARE A MATCHED PAIR)		1
	730	X094-1	2 TUNING UNIT,RF (V81815) 278-0293-000 T2 (T2 AND L4 ARE A MATCHED PAIR)		1
	731	X239	2 COIL,RF (V81815) 278-0538-000 Z5		1
		P313-0051-000	2 NUT,PLAIN,HEX, NP BRS, 4-40 (V77250) 313-0051-000 (AP)		2
		MS35338-97	2 WASHER,SPRING, CD PL BRZ, 0.115 ID X 0.209 OD (V96906) 310-0095-000		2
		2104-04-01-2520N	2 TERMINAL,LUG (V78189) 304-0317-000 (AP)		1
	732	327029H3M0102K	2 CAPACITOR,FXD, CER DIEI, 1000PF, 10%, 500V (V72982) 913-4061-000 C137		1
		P313-0149-000	2 NUT,PLAIN,HEX, NP BRS, 1/4-28 (V77250) 313-0149-000 (AP)		1
		1214-05	2 WASHER,LOCK, CD PL STL, 0.267 ID X 0.408 OD (V78189) 373-0087-000 (AP)		1
		4012HT	2 TERMINAL,LUG (V77147) 304-2800-000 (AP)		1
	733	545-6181-002	2 BRACKET, CAPACITOR		1
		330-0731-000	2 SCREW,TPG,THD, CD PL STL, 4-24 X 1/4 (V45722) 330-0731-000 (AP)		2
	734	PD52414	2 CAPACITOR,VAR, MICA DIEI, 100 TO 500PF, 1000V (V72136) 918-0006-000 C154		1
	735	PD52414	2 CAPACITOR,VAR, MICA DIEI, 100 TO 500PF, 1000V (V72136) 918-0006-000 C153		1
	736	PD52414	2 CAPACITOR,VAR, MICA DIEI, 100 TO 500PF, 1000V (V72136) 918-0006-000 C152		1
	737	PD52313	2 CAPACITOR,VAR, 65PF TO 320PF, 1000V (V72136) 918-0010-000 C155 /38/		1
		1712-00	2 WASHER,LOCK, SST, 0.231 ID X 0.406 OD (V78189) 373-0044-000 (AP FOR 734-737)		4
	738	2104-04-01-2520N	2 TERMINAL,LUG (V78189) 304-0317-000		4
		P313-0051-000	2 NUT,PLAIN,HEX, NP BRS, 4-40 (V77250) 313-0051-000 (AP)		1
		MS35335-85	2 WASHER,LOCK, CD PL BRZ, 0.123 ID X 0.255 OD (V96906) 373-7013-000 (AP)		1
		P343-0286-000	2 SCREW,MACH, NP BRS, 4-40 X 5/16 (V77250) 343-0286-000 (AP)		1
		330-0731-000	2 SCREW,TPG,THD, CD PL STL, 4-24 X 1/4 (V45722) 330-0731-000 (AP)		2
	739	X083	2 TRANSFORMER,IF (V81815) 278-0281-000 T5		1
	740	3501FP	2 PHONO-JACK (V82389) 360-0148-000 J27		1
		1214-05	2 WASHER,LOCK, CD PL STL, 0.267 ID X 0.408 OD (V78189) 373-0087-000 (AP)		1
	741	X004	2 COIL ASSEMBLY (V81815) 278-0277-000 L9		1
	742	557-018-5-25A	2 CAPACITOR,VAR, CER DIEI, 5 TO 37.5PF, 350V (V72982) 917-1073-000 C9		1
	742	557006C0P039R	2 CAPACITOR,VAR, 5PF TO 25PF, 350V (V72982) 917-1194-000 C9		1
		330-0731-000	2 SCREW,TPG,THD, CD PL STL, 4-24 X 1/4 (V45722) 330-0731-000 (AP)		2
	743	D29413	2 CAPACITOR,FXD, ELCTLT, 3SECT (V56289) 183-1702-000 C106		1
	744	RTMT12M	2 TERMINAL,STUD (V91663) 306-0976-000		2
	745	544-9696-000	2 CHASSIS-PANEL	A	1
	745	545-9113-000	2 CHASSIS-PANEL	B	1
		P343-0284-000	2 SCREW,MACH, NP BRS, 4-40 X 3/16 (V77250) 343-0284-000 (AP)		2

section 6
parts list

GROUP ASSEMBLY PARTS LIST

FIG - ITEM	PART NO	INDENT	DESCRIPTION	USABLE ON CODE	UNITS PER ASSY
	MS35335-85	2	WASHER, LOCK, CD PL BRZ, 0.123 ID X 0.255 OD (V96906) 373-7010-000 (AP)		2
746	544-9725-003	3	PANEL-OVERLAY	A	1
746	545-9115-004	3	PANEL, OVERLAY	B	1
747	544-9727-003	3	CHASSIS, PRESSED		1
748	543-8080-002	4	BEARING, OSCILLATOR		1
749	201-11-01-018	2	JACK, PHONO (V71785) 360-0088-000 J1		1
750	201-11-01-018	2	JACK, PHONO (V71785) 360-0088-000 J28		1
751	544-9692-000	2	RAIL, LEFT		1
752	544-9693-000	2	RAIL, RIGHT		1
	P313-0156-00	2	NUT, PLAIN, HEX, NP BRS, 4-40 (V77250) 313-0156-000 (AP FOR 751-752)		2
	MS35338-97	2	WASHER, SPRING, CD PL BRZ, 0.115 ID X 0.209 OD (V96906) 310-0095-000 (AP FOR 751-752)		2
	310-0054-000	2	WASHER, FLAT, BRS, 0.125 ID X 0.312 OD (V79807) 310-0054-000 (AP FOR 751-752)		2
	MS51959-14	2	SCREW, MACH, SST, 4-40 X 5/16 (V96906) 342-0045-000 (AP FOR 751-752)		2
	MS51959-13	2	SCREW, MACH, SST, 4-40 X 1/4 (V96906) 342-0044-000 (AP FOR 751-752)		2
	P343-0288-000	2	SCREW, MACH, NP BRS, 4-40 X 7/16 (V77250) 343-0288-000 (AP FOR 751-752)		2
	MS51957-64	2	SCREW, MACH, SST, 10-24 X 5/8 (V96906) 343-0210-000 (AP FOR 751-752)		2

GROUP ASSEMBLY PARTS LIST



TP4-3186-017

70K-2 RF Oscillator
Figure 6-3

section 6
parts list

GROUP ASSEMBLY PARTS LIST

FIG - ITEM	PART NO	INDENT	DESCRIPTION	USABLE ON CODE	UNITS PER ASSY
6-3	522-1093-000	1	OSCILLATOR,RF, TYPE 70K-2 (SEE FIG 6-2-17 FOR NHA)		REF
	1 7543	2	ELECTRON TUBE (V86684) 257-0301-000		1
	2 543-7329-002	2	COVER,REAR		1
	P313-0053-000	2	NUT,PLAIN,HEX, NP BRS, 6-32 (V77250)		2
	310-0077-000	2	313-0053-000 (AP) WASHER,LOCK, BRZ, 0.141 ID X 0.253 OD (V79807)		2
	310-0056-000	2	310-0077-000 (AP) WASHER,FLAT, BRS, 0.147 ID X 0.375 OD (V79807)		2
	3 542-5437-002	2	310-0056-000 (AP) COLLAR,STOP		1
	X5133-18MD	2	RING,RTNG (V79136) 340-0464-000 (AP)		1
	503-4964-001	2	WASHER,FLAT (AP)		1
	502-1146-002	2	SHIM (AP)		AR
	542-5438-002	2	WASHER,STOP (AP)		1
	543-7328-002	2	WASHER,COUNTER (AP)		1
	328-0512-020	2	SETSCREW, SST, 6-40 X 3/32 (V08664) 328-0512-020 (AP)		1
	335-0036-000	2	SETSCREW, CD PL STL, 6-40 X 3/16 (V08664) 335-0036-000 (AP)		1
::	4 543-7332-003	2	LEADSCREW		1
	5 9SR3XR1AW	2	BEARING,BALL,AN (V43334) 309-0834-000		1
	6 309-0778-00	2	BALL,GLASS (V27545) 309-0778-000		1
	7 542-5439-002	2	SPRING,GROUND		1
	8 542-5431-002	2	PLATE,REAR		1
::	9 543-7333-003	2	COIL L303		1
	10 543-7324-000	2	CORE		1
	X5133-18MD	2	RING,RTNG (V79136) 340-0464-000 (AP FOR 7-10)		2
	310-0278-000	2	WASHER,LOCK, SST, 0.115 ID X 0.202 OD (V70318) 310-0278-000 (AP FOR 7-10)		2
	11 55665-0043	2	CAPACITOR,FXD, CER DIEI, 10PF, 1PF, 500V (V93958) 913-0043-000 C311 /13A/		1
	12 55665-0053	2	CAPACITOR,FXD, CER DIEI, 20PF, 1PF, 500V (V93958) 913-0053-000 C301		AR
	12 55662-2884	2	CAPACITOR,FXD, CER DIEI, 20PF, 1%, 500V (V93958) 913-2884-000 C301		AR
	12 55665-0054	2	CAPACITOR,FXD, CER DIEI, 20PF, 1PF, 500V (V93958) 913-0054-000 C301		AR
	12 55665-0055	2	CAPACITOR,FXD, CER DIEI, 20PF, 1PF, 500V (V93958) 913-0055-000 C301		AR
	12 55665-0056	2	CAPACITOR,FXD, CER DIEI, 20PF, 1PF, 500V (V93958) 913-0056-000 C301		AR
	12 55665-0057	2	CAPACITOR,FXD, CER DIEI, 20PF, 1PF, 500V (V93958) 913-0057-000 C301		AR
	12 55665-0058	2	CAPACITOR,FXD, CER DIEI, 20PF, 1PF, 500V (V93958) 913-0058-000 C301		AR
	12 2DPT34L200KAC	2	CAPACITOR,FXD, CER DIEI, 20PF, 2PF, 500V (V21052) 913-0232-000 C301		AR
	12 DA934-022	2	CAPACITOR,FXD, CER DIEI, 10PF, 1PF, 500V (V71590) 913-0230-000 C301		AR
	12 2DPT34L200KAA	2	CAPACITOR,FXD, CER DIEI, 20PF, 2PF, 500V (V21052) 913-0234-000 C301		AR
	12 DA934-026	2	CAPACITOR,FXD, CER DIEI, 20PF, 2PF, 500V (V71590) 913-0235-000 C301		AR
	13 55665-0068	2	CAPACITOR,FXD, CER DIEI, 100PF, 2PF, 500V (V93958) 913-0068-000 C305		AR
	13 55665-0069	2	CAPACITOR,FXD, CER, DIEI, 100PF, 2PF, 500V (V93958) 913-0069-000 C305		AR
	13 55665-0070	2	CAPACITOR,FXD, CER, DIEI, 100PF, 2PF, 500V (V93958) 913-0070-000 C305		AR
	13 55665-0074	2	CAPACITOR,FXD, CER, DIEI, 100PF, 2PF, 500V (V93958) 913-0074-000 C305		AR
	14 543-7323-000	2	COIL,TRIMMER (INCL L301,L302)		1

GROUP ASSEMBLY PARTS LIST

FIG - ITEM	PART NO	INDENT	DESCRIPTION	USABLE ON CODE	UNITS PER ASSY
6-3	15	4C1022BH3	2 CAPACITOR,FXD, CER DIEI, 1000PF, 2%, 200V (V56289) 913-5381-000 C302		1
	15	D205F102F	2 CAPACITOR,FXD, MICA DIEI, 1000PF, 1%, 500V (V00853) 912-1749-000 C302 /20B/		1
	16	DM15E201F0300WV4	2 CAPACITOR,FXD, MICA DIEI, 200PF, 1%, 300V (V72136) 912-3468-000 C304		1
	16	DM5E510J050WV	2 CAPACITOR,FXD, MICA DIEI, 51PF, 5%, 50V (V72136) 912-4141-300 C304 /20B/		1
	17	557-018-5-25A	2 CAPACITOR,VAR, CER DIEI, 5 TO 37.5PF, 350V (V72982) 917-1073-000 C308		1
		P343-0285-000	2 SCREW,MACH, NP BRS, 4-40 X 1/4 (V77250) 343-0285-000 (AP)		2
		P313-0156-00	2 NUT,PLAIN,HEX, NP BRS, 4-40 (V77250) 313-0156-000 (AP)		2
	18	1N34A	2 SEMICOND DEVICE (V03877) 353-2780-000 CR301 /13B/		1
* IF REPLACEMENT IS NECESSARY, MANUFACTURER SUGGESTS RETURN OF 70K-2 MODULE TO MANUFACTURER FOR SERVICING					
	18	1N4454	2 SEMICOND DEVICE (V03508) 353-3644-010 CR301 /13B/		1
	19	543-7322-000	2 SOCKET		1
	20	10200-129	3 COIL,RF, 3.30UH (V82142) 240-0695-000 L304		1
	21	RCR20G823JS	3 RESISTOR,FXD, CMPSN, 82K, 5%, 1/2W (V81349) 745-1432-000 R302		1
	22	20C109	3 CAPACITOR,FXD, CER DIEI, 0.02UF, M40%P60%,250V (V56289) 913-2097-000 C310		1
	23	4C3025BH3	3 CAPACITOR,FXD, CER DIEI, 3000PF, 5%, 200V (V56289) 913-5402-000 C303		1
	23	D205F302F	3 CAPACITOR,FXD, MICA DIEI, 3000PF, 1%, 500V (V00853) 912-1748-000 C303 /20B/		1
	24	20C109	3 CAPACITOR,FXD, CER DIEI, 0.02UF, M40%P60%,250V (V56289) 913-2097-000 C307		1
	25	20C109	3 CAPACITOR,FXD, CER DIEI, 0.02UF, M40%P60%,250V (V56289) 913-2097-000 C306		1
	26	RCR20G104KS	3 RESISTOR,FXD, CMPSN, 0.10MEGO, 10%, 1/2W (V81349) 745-1436-000 R303		1
	27	20C109	3 CAPACITOR,FXD, CER DIEI, 0.02UF, M40%P60%,250V (V56289) 913-2097-000 C309		1
	28	114-22-12-018	3 SOCKET,TUBE (V71785) 220-1189-000		1
	29	RCR20G104KS	2 RESISTOR,FXD, CMPSN, 0.10MEGO, 10%, 1/2W (V81349) 745-1436-000 R301		1
	29A	RCR20G183KS	2 RESISTOR,FXD, CMPSN, 18K, 10%, 1/2W (V81349) 745-1405-000 R301 /20B/		AR
	29A	RCR20G223KS	2 RESISTOR,FXD, CMPSN, 22K, 10%, 1/2W (V81349) 745-1408-000 R301 /20B/		AR
	29A	RCR20G273KS	2 RESISTOR,FXD, CMPSN, 27K, 10%, 1/2W (V81349) 745-1412-000 R301 /20B/		AR
	29A	RCR20G393KS	2 RESISTOR,FXD, CMPSN, 39K, 10%, 1/2W (V81349) 745-1419-000 R301 /20B/		AR
	29A	RCR20G563KS	2 RESISTOR,FXD, CMPSN, 56K, 10%, 1/2W (V81349) 745-1426-000 R301 /20B/		AR
	29A	RCR20G823KS	2 RESISTOR,FXD, CMPSN, 82K, 10%, 1/2W (V81349) 745-1433-000 R301 /20B/		AR
	29A	RCR20G124KS	2 RESISTOR,FXD, CMPSN, 0.12MEGO, 10%, 1/2W (V81349) 745-1440-000 R301 /20B/		AR
	29A	RCR20G154KS	2 RESISTOR,FXD, CMPSN, 0.15MEGO, 10%, 1/2W (V81349) 745-1443-000 R301 /20B/		AR
	29A	RCR20G154KS	2 RESISTOR,FXD, CMPSN, 0.15MEGO, 10%, 1/2W (V81349) 745-1443-000 R301 /20B/		AR
	29A	RCR20G184KS	2 RESISTOR,FXD, CMPSN, 0.18MEGO, 10%, 1/2W (V81349) 745-1447-000 R301 /20B/		AR

section 6
parts list

GROUP ASSEMBLY PARTS LIST

FIG - ITEM	PART NO	INDENT	DESCRIPTION	USABLE ON CODE	UNITS PER ASSY
6-3	29A RCR20G224KS	2	RESISTOR,FXD, CMPSN, 0.22MEGO, 10%, 1/2W (V81349) 745-1453-000 R301 /20B/		AR
	29A RCR20G274KS	2	RESISTOR,FXD, CMPSN, 0.27MEGO, 10%, 1/2W (V81349) 745-1454-000 R301 /20B/		AR
	29A RCR20G104KS	2	RESISTOR,FXD, CMPSN, 0.10MEGO, 10%, 1/2W (V81349) 745-1436-000 R301 /20B/		AR
	29B 2A1DB15	2	TERMINAL STDF (V92825) 306-0234-000 (EFF REV LTR AK)		1
	MS51957-12	2	SCREW,MACH, STL, 4-40 X 3/16 (V96906) 343-0132-000 (AP) (EFF REV LTR AK)		1
	30 X006-1	2	TRANSFORMER,RF (V81815) 240-0665-000 T301		1
	P343-0286-000	2	SCREW,MACH, NP BRS, 4-40 X 5/16 (V77250) 343-0286-000 (AP)		2
	310-0278-000	2	WASHER,LOCK, SST, 0.115 ID X 0.202 OD (V70318) 310-0278-000 (AP)		2
	31 2A1DB15	2	TERMINAL STDF (V92825) 306-0234-000		1
	P343-0285-000	2	SCREW,MACH, NP BRS, 4-40 X 1/4 (V77250) 343-0285-000 (AP)		1
	32 543-7321-000	2	COVER		1

6.3 NUMERICAL INDEX

PART NUMBER	FIG - ITEM	TTL REQ	PART NUMBER	FIG - ITEM	TTL REQ
AN960C616	6-2-190	2		6-2-650	1
A238-5MILL6085A	6-2-72	3	DA855-010	6-2-169	1
BA811-2798	6-2-504	1	DA934-022	6-3-12	AR
BA811-2896	6-2-695	1	DA934-026	6-3-12	AR
BA812-1211	6-2-706	1	DML5C050D500WV4C	6-2-393	1
BL289-1424-000	6-2-75	1	R		
BL290-8705-000	6-2-628	1	DML5C100K500WV4C	6-2-342	1
BL290-8706-000	6-2-629	1	R		
B106703	6-2-667	1		6-2-351	1
CCR75CH7R5JM	6-2-341	1		6-2-390	1
CC20CH6R0D	6-2-338	1		6-2-393	1
	6-2-369	1		6-2-418	1
CC20CJ030D	6-2-354	1		6-2-509	AR
CC20CK010C	6-2-229	1		6-2-574	1
	6-2-256	1	DML5C120K500WV4C	6-2-171A	1
CC20CK020D	6-2-418	1	R		
CK61AW222M	6-2-235	1		6-2-346	1
CM04FD111G03	6-2-318	1		6-2-401B	1
CM05CD100D03	6-2-341	1		6-2-509	AR
	6-2-341	1	DML5C150K500WV4C	6-2-509	AR
CM05ED200J03	6-2-317	1	R		
	6-2-509	AR		6-2-624	1
CM05ED220J03	6-2-293A	1	DML5E200K500WV4C	6-2-342	1
	6-2-388	1	R		
CM05ED240J03	6-2-509	AR	DML5E201F0300WV4	6-3-16	1
CM05ED270J03	6-2-509	AR	CR		
CM05ED330J03	6-2-509	AR	DML5E270K500WV4C	6-2-232	1
CM05ED390J03	6-2-232	1	R		
	6-2-509	AR	DML5E330K500WV4C	6-2-283	1
CM05ED430J03	6-2-398A	1	R		
	6-2-509	AR		6-2-317	1
CM05ED470J03	6-2-153	1		6-2-509	AR
	6-2-398A	1	DML5E470K500WV4C	6-2-509	AR
	6-2-434	1	R		
CM05ED620J03	6-2-509	AR	DML5E510K500WV4C	6-2-312	1
CM05ED680J03	6-2-509	AR	R		
CM05ED750J03	6-2-509	AR		6-2-509	AR
CM05ED820J03	6-2-509	AR	DML5E560K500WV4C	6-2-349	1
CM05FD101J03	6-2-620	1	R		
CM05FD111J03	6-2-509	AR		6-2-509	AR
CM05FD121J03	6-2-509	AR	DML5F101K500WV4C	6-2-280	1
CM05FD131J03	6-2-318	1	R		
	6-2-389	1		6-2-527	1
	6-2-509	AR		6-2-548	1
CM05FD151J03	6-2-509	AR	DML5F121K500WV4C	6-2-436	1
CM05FD181J03	6-2-620	1	R		
CM05FD221J03	6-2-286	1	DML5F221K500WV4C	6-2-476	1
	6-2-287	1	R		
	6-2-311	1	DML5F471J300WV4C	6-2-536	1
	6-2-321	1	R		
	6-2-440	1		6-2-539	1
CM05FD241G03	6-2-350	1		6-2-540	1
CM05FD241J03	6-2-440	1		6-2-545	1
CM05FD271J03	6-2-321	1	DM5E510J050WV	6-3-16	1
CM05FD331G03	6-2-320	1	DP234-258A	6-2-263	2
CM05FD361G03	6-2-391	1	D205F102F	6-3-15	1
CM05FD361J03	6-2-345	1	D205F302F	6-3-23	1
CM05FD910J03	6-2-509	AR	D236-13	6-2-162	2
CM06FD511J03	6-2-392A	1	D28121	6-2-581	1
	6-2-616	1	D29343	6-2-484	1
C13388SS010	6-2-30	1		6-2-599	1
DA172-057CB	6-2-172	1	D29413	6-2-743	1
			D31582	6-2-622	1

section 6
parts list

NUMERICAL INDEX

PART NUMBER	FIG - ITEM	TTL REQ	PART NUMBER	FIG - ITEM	TTL REQ
FA-4200	6-2-605A ⁶	4	MS35338-99	6-2-94	1
	6-2-605A		MS35649-244	6-2-276	2
	6-2-605A			6-2-646	2
	6-2-605A		MS35649-284	6-2-71	2
GSC232	6-2-707	1	MS51957-12	6-3-298	1
G2522	6-2-263	2	MS51957-15	6-2-48	1
G2619	6-2-664	5	MS51957-17	6-2-600	1
HM6821	6-2-470	1	MS51957-31	6-1-2	2
HP14N	6-2-600	1	MS51957-36	6-1-2	2
HP7N	6-2-159	1	MS51957-49	6-2-71	2
	6-2-426	1	MS51957-64	6-2-336	2
KR2565-1	6-2-201	1		6-2-752	2
LP9A1E683K	6-2-495	1	MS51959-13	6-2-752	2
LT4K039	6-2-653	1	MS51959-14	6-2-124	1
MS15571-2	6-2-44	1		6-2-752	2
	6-2-140	1	MS51959-16	6-2-12	1
MS16624-1025	6-2-15	1	MS51959-18	6-2-710	2
MS35333-70	6-2-150	1	MS75008-33	6-2-653	1
MS35335-85	6-2-48	2	MS75008-40	6-2-457	1
	6-2-51	2		6-2-559	1
	6-2-53	2	MS75089-15	6-2-623	1
	6-2-81	6	MS75089-23	6-2-399B	1
	6-2-84	4	MS75089-27	6-2-400	1
	6-2-96	2		6-2-404A	1
	6-2-97	4	MS75089-35	6-2-156	1
	6-2-104	2	MS75101-7	6-2-457	1
	6-2-106	2		6-2-559	1
	6-2-108	2	MS75103-1	6-2-228	1
	6-2-110	2	MS75103-10	6-2-179	1
	6-2-177	2		6-2-180	1
	6-2-181	1	MS90538-20	6-2-302	1
	6-2-276	2		6-2-328	1
	6-2-470	1		6-2-339	1
	6-2-510	1		6-2-344	1
	6-2-611	1		6-2-375	1
	6-2-646	2		6-2-403	1
	6-2-669	1		6-2-623	1
	6-2-709	1	MS90539-15	6-2-613	1
	6-2-738	1		6-2-615	1
	6-2-745	2	MS90540-07	6-2-278	1
MS35338-96	6-2-425	1		6-2-333	1
MS35338-97	6-2-28	1		6-2-400	1
	6-2-72	1		6-2-460A	1
	6-2-120	1		6-2-576	1
	6-2-158	1	M24251-6-2	6-2-85	1
	6-2-199	1	M24251-6-6	6-2-175	1
	6-2-207	2	M641-5-1	6-2-35	1
	6-2-214	2	NPV3	6-2-425	1
	6-2-352	1	N020BRASS	6-2-34	1
	6-2-731	2		6-2-35	1
	6-2-752	2	PD52313	6-2-737	1
MS35338-98	6-2-119	6	PD52414	6-2-734	1
	6-2-166	2		6-2-735	1
	6-2-190	2		6-2-736	1
	6-2-288	1	PJ068	6-1-11	1
	6-2-358	1	PW5-6001-10	6-2-494	1
	6-2-404	1	PW7-15000-10PCT	6-2-216	1
	6-2-468	1	PW7-2500-10PCT	6-2-572	1
	6-2-587	1	P313-0003-000	6-2-40	2
	6-2-641	1	P313-0050-000	6-2-77	1
	6-2-652	4		6-2-159	1
	6-2-683	1		6-2-425	1
	6-2-686	1	P313-0051-000	6-2-48	2

NUMERICAL INDEX

PART NUMBER	FIG - ITEM	TTL REQ	PART NUMBER	FIG - ITEM	TTL REQ	
P313-0051-000	6-2-51	1	P343-0285-000	6-2-667	2	
	6-2-53	1		6-2-709	1	
	6-2-81	6		6-2-745	2	
	6-2-84	4		6-2-51	1	
	6-2-106	1		6-2-53	1	
	6-2-108	2		6-2-81	6	
	6-2-110	1		6-2-84	4	
	6-2-181	1		6-2-88	2	
	6-2-470	1		6-2-96	2	
	6-2-731	2		6-2-97	4	
	6-2-738	1		6-2-102	2	
	P313-0053-000	6-2-119		6	6-2-104	2
		6-2-201		1	6-2-106	1
		6-3-2		2	6-2-108	1
P313-0132-000	6-2-694	2	6-2-110	1		
P313-0140-000	6-2-166	2	6-2-150	2		
	6-2-168	2	6-2-158	1		
P313-0149-000	6-2-686	1	6-2-159	1		
	6-2-243	5	6-2-160	2		
	6-2-732	1	6-2-160A	5		
P313-0154-00	6-2-316	2	6-2-177	2		
P313-0156-00	6-2-15	1	6-2-178	2		
	6-2-72	1	6-2-208	5		
	6-2-97	4	6-2-234	4		
	6-2-158	1	6-2-353	2		
	6-2-159	1	6-2-575	1		
	6-2-178	2	6-2-658	3		
	6-2-206	2	6-2-669	1		
	6-2-207	2	6-3-17	2		
	6-2-214	2	6-3-31	1		
	6-2-234	4	P343-0286-000	6-2-48	1	
	6-2-347	2		6-2-51	1	
	6-2-352	1		6-2-53	1	
	6-2-386	2		6-2-106	1	
	6-2-428	2		6-2-108	1	
	6-2-430	2		6-2-110	1	
	6-2-752	2		6-2-120	1	
	6-3-17	2		6-2-181	1	
P319-0043-000	6-2-15	2		6-2-207	2	
P320-0008-00	6-2-20	3		6-2-352	1	
P325-0062-000	6-2-190	2		6-2-510	1	
	6-2-192	3		6-2-611	1	
P330-2292-000	6-2-276	2		6-2-738	1	
	6-2-646	2		6-3-30	2	
P334-0253-00	6-2-147	3	P343-0288-000	6-2-578	2	
	6-2-268	1		6-2-752	2	
P334-4060-000	6-2-614	1	P343-0289-000	6-2-72	2	
	6-2-54	1		6-2-316	2	
	6-2-143	2	6-2-347	2		
	6-2-190	2	6-2-386	2		
	6-2-504	1	6-2-430	2		
	6-2-630	1	P343-0290-000	6-2-421	1	
	6-2-695	1		P343-0291-000	6-2-72	1
	6-2-704	1	6-2-428		2	
	6-2-706	1	P343-0292-000	6-2-206	2	
	P342-0147-000	6-2-77		1	P343-0298-000	6-2-16
P342-0153-000		6-2-120	1	P343-0299-000		6-2-62
	6-2-214	2	6-2-159		1	
P342-0155-000	6-2-15	1	P343-0302-000	6-2-425	1	
P342-0168-000	6-1-4	2		P343-0307-000	6-2-183	2
P342-0286-000	6-2-470	1	P343-0311-000		6-2-94	1
P343-0282-000	6-2-28	1		P343-0328-000	6-2-200	2
P343-0284-000	6-2-314	1	6-2-288		1	

section 6
parts list

NUMERICAL INDEX

PART NUMBER	FIG - ITEM	TTL REQ	PART NUMBER	FIG - ITEM	TTL REQ	
P343-0328-000	6-2-335	1	RCR07G273KS	6-2-401A	1	
	6-2-358	1		6-2-485	AR	
	6-2-404	1		6-2-556		
	6-2-468	1		RCR07G331KS	6-2-485	AR
	6-2-496	1		RCR07G334KS	6-2-532	1
	6-2-587	1			6-2-550	1
	6-2-641	1		RCR07G335KS	6-2-473	1
	6-2-652	4			6-2-675	1
	6-2-683	1		RCR07G390KS	6-2-525A	AR
				RCR07G391KS	6-2-485	AR
P343-0329-000	6-2-166	2	RCR07G392KS	6-2-368	1	
	6-2-168	1	RCR07G394KS	6-2-532	1	
	6-2-694	2		6-2-550	1	
P343-0384-000	6-2-662	2	RCR07G470KS	6-2-525A	AR	
	RCR07G101KS	6-2-525A	AR	6-2-610	1	
RCR07G102KS	6-2-485	AR		6-2-612	1	
RCR07G103KS	6-2-325	1	RCR07G471KS	6-2-56	1	
RCR07G104KS	6-2-488	1		6-2-485	AR	
	6-2-292	1		6-2-487	1	
	6-2-356	1		6-2-589	1	
	6-2-365	1	RCR07G472KS	6-2-433	1	
	6-2-372	1		6-2-678	1	
	6-2-398	1	RCR07G473KS	6-2-445	1	
	6-2-664A	1		6-2-535	1	
				6-2-570	1	
				6-2-603	1	
				6-2-635	1	
RCR07G105KS	6-2-285	1	RCR07G474KS	6-2-290	1	
	6-2-299	1		6-2-362	1	
	6-2-327	1		6-2-598	1	
	6-2-366	1		6-2-605	1	
	6-2-381	1	RCR07G560KS	6-2-357	1	
	6-2-411	1		6-2-373	1	
	6-2-443	1		6-2-382	1	
	6-2-459	1		6-2-525A	AR	
	6-2-513	1	RCR07G561KS	6-2-485	AR	
	6-2-528	1	RCR07G562KS	6-2-439	1	
6-2-541	1	RCR07G680KS	6-2-525A	AR		
6-2-549	1	RCR07G681KS	6-2-485	AR		
6-2-566	1	RCR07G682KS	6-2-368	1		
RCR07G121KS	6-2-525A	AR	RCR07G683KS	6-2-535	1	
RCR07G122KS	6-2-485	AR	RCR07G684KS	6-2-293	1	
RCR07G123KS	6-2-485	AR		6-2-303	1	
RCR07G151KS	6-2-525A	AR	RCR07G820KS	6-2-525A	AR	
RCR07G153KS	6-2-485	AR		6-2-614A	1	
RCR07G154KS	6-2-535	1	RCR07G821KS	6-2-485	AR	
RCR07G155KS	6-2-492	1	RCR07G823KS	6-2-535	1	
RCR07G181KS	6-2-485	1	RCR07G825KS	6-2-497	1	
	6-2-525A	AR		6-2-498	1	
	6-2-606A	1	RCR20G100KS	6-2-474	1	
	6-2-607	1	RCR20G101KS	6-2-226	1	
	6-2-610	1		6-2-331	1	
	6-2-612	1		6-2-487	1	
	6-2-692	1		6-2-530	1	
RCR07G183KS	6-2-485	AR		6-2-557	AR	
RCR07G221KS	6-2-483	1		6-2-558	1	
	6-2-485	AR		6-2-568	1	
	6-2-525A	AR		6-2-671	1	
	6-2-608	1	RCR20G102KS	6-2-257	1	
RCR07G223KS	6-2-485	AR		6-2-297	1	
RCR07G225KS	6-2-472	1		6-2-332	1	
	6-2-565	1		6-2-407	1	
	6-2-688	1		6-2-417	1	
RCR07G271KS	6-2-485	AR				
	6-2-610	1				
	6-2-612	1				
RCR07G272KS	6-2-435	1				

NUMERICAL INDEX

PART NUMBER	FIG - ITEM	TTL REQ	PART NUMBER	FIG - ITEM	TTL REQ	
RCR20G102KS	6-2-471	1	RCR20G223KS	6-2-626	1	
	6-2-518	1		6-3-29A	AR	
	6-2-534	1		RCR20G224KS	6-2-299	1
	6-2-553	1		6-2-416	1	
	6-2-602	1		6-2-466	1	
	6-2-636	1		6-2-563	1	
	6-2-693	1		6-2-593	1	
	RCR20G103KS	6-2-258		1	6-3-29A	AR
	RCR20G104KS	6-2-412		1	6-2-557	AR
	6-2-415	1		RCR20G270KS	6-2-258	1
6-2-543	1	RCR20G272KS	6-2-590	1		
6-2-601	1	RCR20G273KS	6-3-29A	AR		
6-2-627	1	RCR20G274KS	6-2-329	1		
6-2-677	1	6-2-464	1			
6-3-26	1	6-3-29A	AR			
6-3-29	1	RCR20G330KS	6-2-557	AR		
6-3-29A	AR	RCR20G331KS	6-2-463	1		
RCR20G105KS	6-2-414	1	6-2-508	1		
6-2-619	1	RCR20G332KS	6-2-258	1		
RCR20G120KS	6-2-211	1	6-2-500	1		
6-2-218	1	RCR20G333KS	6-2-399	1		
6-2-220	1	RCR20G390KS	6-2-557	AR		
6-2-249	1	RCR20G392KS	6-2-258	1		
6-2-251	1	RCR20G393KS	6-2-501	1		
6-2-254	1	6-2-523	1			
RCR20G121KS	6-2-274	1	6-2-533	1		
6-2-306	1	6-3-29A	AR			
6-2-503	1	6-2-259	1			
RCR20G123KS	6-2-258	1	6-2-515A	1		
6-2-313	1	6-2-547	1			
6-2-674	1	6-2-557	1			
RCR20G124KS	6-2-413	1	6-2-557	AR		
6-2-554	1	6-2-618	1			
6-3-29A	AR	6-2-660	1			
RCR20G151KS	6-2-139	1	6-2-672	1		
6-2-225	1	RCR20G472KS	6-2-258	1		
6-2-394	1	6-2-678	1			
RCR20G152KS	6-2-326	1	RCR20G473KS	6-2-144	1	
6-2-626	1	6-2-399	1			
RCR20G153KS	6-2-406	1	6-2-475	1		
RCR20G154KS	6-2-680	1	6-2-515	1		
6-3-29A	AR	6-2-546	1			
6-3-29A	AR	6-2-625	1			
RCR20G155KS	6-2-571	1	RCR20G474KS	6-2-301	1	
6-2-595	1	6-2-512	1			
6-2-675	1	6-2-596	1			
RCR20G181KS	6-2-444	1	RCR20G560KS	6-2-380	1	
RCR20G183KS	6-2-310	1	6-2-557	AR		
6-2-556	1	6-2-558	1			
6-2-679	1	RCR20G562KS	6-2-258	1		
6-2-684	1	6-2-586	1			
6-3-29A	AR	6-2-638	1			
6-2-538	1	RCR20G563KS	6-3-29A	AR		
6-3-29A	AR	RCR20G624JS	6-2-582	1		
RCR20G220KS	6-2-557	AR	RCR20G680KS	6-2-139	1	
RCR20G221KS	6-2-139	1	6-2-557	AR		
6-2-374	1	6-2-597	1			
6-2-402	1	6-2-672	1			
6-2-525	1	RCR20G681KS	6-2-56	1		
RCR20G222KS	6-2-258	1	6-2-585	1		
6-2-308	1	6-2-673	1			
6-2-333	1	RCR20G682KS	6-2-258	1		
6-2-500	1	6-2-588	1			

section 6
parts list

NUMERICAL INDEX

PART NUMBER	FIG - ITEM	TTL REQ	PART NUMBER	FIG - ITEM	TTL REQ
RCR20G683KS	6-2-360	1	S290-9201-000	6-2-133	1
	6-2-450	1	TC65	6-2-599	1
	6-2-526	1	T50205C01	6-2-77	1
RCR20G684KS	6-2-680	1	TS102P01	6-2-88	1
RCR20G820KS	6-2-557	AR	TS103P01	6-2-48	1
RCR20G821KS	6-2-577	1		6-2-51	1
RCR20G822KS	6-2-258	1		6-2-84	2
RCR20G823JS	6-3-21	1		6-2-84	
RCR20G823KS	6-2-640	1		6-2-177	1
	6-2-685	1	TYI ICL1-062	6-1-6	1
	6-3-29A	AR	T163X96	6-2-667	1
RCR32G100KS	6-2-631	1	T163X97	6-2-662	1
RCR32G104KS	6-2-301	1	T50411	6-2-154	1
	6-2-460	1	VVC445	6-2-343	1
RCR32G123KS	6-2-238	1	WR5434	6-2-614	1
RCR32G152KS	6-2-379	1	WR5451	6-2-147	1
RCR32G153KS	6-2-633	1	WR5453	6-2-146	1
RCR32G222KS	6-2-379	1		6-2-268	1
RCR32G332KS	6-2-378	1		6-2-614	1
RCR32G333KS	6-2-364	1	WR5454	6-2-145	1
RCR32G472KS	6-2-529	1	WR5455	6-2-147	1
RCR32G473KS	6-2-499	1		6-2-614	1
	6-2-546	1	WW19491	6-2-15	1
RCR32G474KS	6-2-170	1	X003	6-2-697	1
RCR32G562KS	6-2-517	1	X004	6-2-741	1
RCR32G680KS	6-2-655	1	X006-1	6-3-30	1
RCR42G103KS	6-2-273	1	X083	6-2-739	1
RCR42G123KS	6-2-399A	1	X094-1	6-2-729	1
	6-2-508	1		6-2-730	1
	6-2-561	1	X239	6-2-731	1
RCR42G153KS	6-2-456	1	X5133-18MD	6-3-3	1
RCR42G183KS	6-2-499	1		6-3-10	
RCR42G220KS	6-2-446	1	X682-1	6-2-697	1
RCR42G223KS	6-2-238	1	0211-012-002-00	6-2-668	1
	6-2-632	1	02242	6-2-191	1
RCR42G273KS	6-2-591	1	0228-001-002	6-2-666	1
RCR42G333KS	6-2-461	1	1-8SSBALL	6-2-67	1
RCR42G473KS	6-2-524	1	1N1490	6-2-210	1
RCR42G682KS	6-2-395	1		6-2-531	1
RCR42G683KS	6-2-490	1	1N34A	6-2-410	1
	6-2-493	1		6-2-605A	4
RCR42G821KS	6-2-213	1		6-2-605A	
RTMT12M	6-2-197	1		6-2-605A	
	6-2-709	1		6-2-605A	
	6-2-744	2		6-3-18	1
RTMT16M	6-2-57	1	1N4454	6-3-18	1
	6-2-459A	1	1N458	6-2-300	1
	6-2-465	1		6-2-634	1
	6-2-505	1		6-2-690	1
	6-2-510	1	1N5383B	6-2-409A	1
	6-2-544	1		6-2-459C	1
	6-2-560	1	10070-4	6-2-55	1
	6-2-575	1	10200-129	6-3-20	1
	6-2-611	1	110-3680	6-2-662	1
	6-2-669	1	111CDPL	6-1-9	1
RW67V821	6-2-213	1	114-0594-000	6-2-45	4
R4008X7-32CHROMA	6-1-4G	4	114-22-12-018	6-3-28	1
TBDIP			12A17	6-2-82	1
R4012X5-32PLAIN	6-2-63	2		6-2-83	1
SK10066S	6-2-171	1	1214-05	6-2-93	5
SSR3XR1AW	6-3-5	1		6-2-100	3
S072CHEMBLK	6-1-10	1		6-2-118	8
S076-4	6-1-7	1		6-2-147	3
S096CADPL	6-1-8	1			

NUMERICAL INDEX

PART NUMBER	FIG - ITEM	TTL REQ	PART NUMBER	FIG - ITEM	TTL REQ
1214-05	6-2-243	5		6-2-51	2
	6-2-268	1		6-2-53	2
	6-2-614	1		6-2-81	5
	6-2-700	3		6-2-84	4
	6-2-732	1		6-2-96	1
	6-2-740	1		6-2-97	1
13A	6-2-34	1		6-2-106	3
1400W	6-2-36	3		6-2-108	2
160-104-3	6-2-178	1		6-2-110	3
160P47394	6-2-495	1		6-2-150	1
168-013-1000	6-2-166	1		6-2-157	1
	6-2-168	1		6-2-177	1
1712-00	6-2-737	4		6-2-194	1
1720-02	6-2-34	1		6-2-670	1
	6-2-35	1		6-2-731	1
	6-2-54	1		6-2-738	4
	6-2-143	2	2104-06-02-2520N	6-2-166	2
	6-2-504	1		6-2-168	1
	6-2-630	1		6-2-190	1
	6-2-695	1	2104-08-02-2520N	6-2-42	2
	6-2-704	1	22692-414LW1	6-2-423	1
	6-2-706	1	22698-6MLW	6-2-694	1
1722-01	6-2-4	1	240-0186-000	6-2-228	1
18-257	6-2-156	1	240-0194-000	6-2-179	1
	6-2-296	1		6-2-180	1
19C372	6-2-478	1	280-3423-00	6-2-30	1
	6-2-564	1	281-0330-000	6-2-33	1
	6-2-573	1	290-9009-000	6-2-126	1
	6-2-584	1	290-9010-000	6-2-127	1
	6-2-637	1	290-9011-000	6-2-132	1
191774-23	6-2-704	1	290-9027-000	6-2-135	1
192796CK	6-2-427	1	290-9028-000	6-2-137	1
	6-2-428	1	290-9062-000	6-2-128	1
196302F1AC	6-2-54	1	290-9063-000	6-2-129	1
196305CK	6-2-347	1	290-9066-000	6-2-134	1
	6-2-386	1	290-9097-000	6-2-136	1
	6-2-430	1	290-9098-000	6-2-130	1
197029K4	6-2-630	1	290-9099-000	6-2-131	1
2-295	6-1-4F	2	30040-3	6-2-659	1
2A10B15	6-2-314	1	30055-20	6-2-663	1
	6-2-353	2	302-0023-00	6-2-62	2
	6-3-298	1		6-2-77	2
	6-3-31	1	302-0030-000	6-2-183	2
20DD63G104XAA	6-2-307	1	309-0778-00	6-3-6	1
	6-2-370	1	309-5300-000	6-2-68	4
	6-2-441	1	310-0045-000	6-2-600	1
	6-2-442	1	310-0053-000	6-2-77	1
	6-2-447	1		6-2-159	1
	6-2-507	1		6-2-425	3
	6-2-522	1	310-0054-000	6-2-28	1
20DH63N103M	6-2-643	1		6-2-159	1
	6-2-644	1		6-2-194	4
2DHT54T150JAA	6-2-169	1		6-2-199	2
2DPT34L200KAA	6-3-12	AR		6-2-206	2
2DPT34L200KAC	6-3-12	AR		6-2-207	2
20-3048	6-2-95	1		6-2-214	2
20C109	6-3-22	1		6-2-316	2
	6-3-24	1		6-2-347	2
	6-3-25	1		6-2-386	1
	6-3-27	1		6-2-426	1
201-11-01-018	6-2-749	1		6-2-428	2
	6-2-750	1		6-2-430	2
2104-04-01-2520N	6-2-48	3		6-2-752	2

section 6
parts list

NUMERICAL INDEX

PART NUMBER	FIG - ITEM	TTL REQ	PART NUMBER	FIG - ITEM	TTL REQ
310-0055-000	6-1-2	4	330-0733-000	6-2-426	1
	6-2-17	2	330-0735-000	6-2-17	2
	6-2-192	3		6-2-58	2
310-0056-000	6-3-2	2		6-2-74	4
310-0058-000	6-2-40	2	331-5020-00	6-2-15	1
	6-2-94	1	331-7000-00	6-2-14	3
310-0061-000	6-2-49A	1	331 013X5U0501K	6-2-212	1
310-0076-000	6-2-662	2		6-2-215	1
310-0077-000	6-2-74	1		6-2-221	1
	6-2-192	3		6-2-246	1
	6-2-335	1		6-2-247	1
	6-2-496	1		6-2-253	1
	6-2-575	1		6-2-519	1
	6-2-667	2		6-2-521	1
	6-3-2	2	332-14-02-001	6-2-181	1
310-0097-000	6-2-168	2		6-2-262	1
310-0274-000	6-2-20	3	332-14-03-017	6-2-686	1
310-0278-000	6-2-694	2	332-14-04-022	6-2-260	1
	6-3-10	2	332-1403-165	6-2-158	1
	6-3-30	2		6-2-322	1
327-029X5T0102Z	6-2-239	1		6-2-352	1
	6-2-240	1		6-2-432	1
	6-2-241	1	335-0036-000	6-3-3	1
	6-2-242	1	335-0041-000	6-2-9	2
	6-2-243	1	34103	6-2-191	1
327029H3M0102K	6-2-732	1	343-0048-000	6-2-421	1
328-0005-000	6-2-13	1	3501FP	6-2-89	1
328-0028-000	6-2-67	1		6-2-90	1
328-0473-000	6-2-2	1		6-2-91	1
328-0506-020	6-2-3	1		6-2-92	1
328-0512-010	6-1-3	2		6-2-93	1
	6-2-6	2		6-2-98	1
	6-2-18	2		6-2-99	1
	6-2-49	1		6-2-100	1
	6-2-187	4		6-2-111	1
	6-2-424	1		6-2-112	1
328-0512-020	6-3-3	1		6-2-113	1
33C2	6-2-151	1		6-2-114	1
	6-2-223	1		6-2-115	1
	6-2-244	1		6-2-116	1
	6-2-405	1		6-2-117	1
	6-2-449	1		6-2-118	1
	6-2-460B	1		6-2-698	1
	6-2-467	1		6-2-699	1
	6-2-592	1		6-2-700	1
33C58	6-2-681	1		6-2-740	1
330-0731-000	6-2-194	4	3501MC	6-1-12	2
	6-2-261	1	36C175A	6-2-41	1
	6-2-319	2		6-2-202	1
	6-2-322	2		6-2-217	1
	6-2-348	2		6-2-227	1
	6-2-387	2		6-2-248	1
	6-2-429	2		6-2-255	1
	6-2-432	2		6-2-265	1
	6-2-506	1		6-2-270	1
	6-2-665	2		6-2-271	1
	6-2-696	2		6-2-279	1
	6-2-703	1		6-2-281	1
	6-2-705	1		6-2-289	1
	6-2-728	34		6-2-294	1
	6-2-733	2		6-2-298	1
	6-2-738	2		6-2-304	1
	6-2-742	2		6-2-330	1

NUMERICAL INDEX

PART NUMBER	FIG - ITEM	TTL REQ	PART NUMBER	FIG - ITEM	TTL REQ
36C175A	6-2-361	1	4159-043 432-1009-00 44C7A 4422-10-38 458-0491-00 5C11A 5C13A 502-1146-002 502-1427-002 503-1236-001 503-4964-001 5048 505-9208-001 506-7848-002 5100-25C 52A 522-1093-000 522-1611-000 522-1792-000 526-9337-000 526-9427-000 540-9045-000 540-9045-003 540-9049-003 540-9053-003 540-9448-003 541-5181-002 541-5183-002 541-5985-002 541-6532-003 541-6533-003 541-6551-003 541-6554-003 542-5431-002 542-5437-002 542-5438-002 542-5439-002 542-5476-002 543-5577-003 543-7321-000 543-7322-000 543-7323-000 543-7324-000 543-7328-002 543-7329-002 543-7332-003 543-7333-003 543-7739-000	6-2-537	1
	6-2-363	1		6-2-691	1
	6-2-367	1		6-2-141	1
	6-2-371	1		6-2-188	AR
	6-2-384	1		6-2-422	AR
	6-2-419	1		6-2-224	1
	6-2-455	1		6-2-479	1
	6-2-469	1		6-2-511	1
	6-2-489	1		6-2-551	1
	6-2-515B	1		6-2-562	1
	6-2-520	1		6-2-579	1
	6-2-542	1		6-2-594	1
	6-2-555	1		6-2-639	1
	6-2-567	1		6-2-284	1
	6-2-569	1		6-2-43	1
	6-2-583	1		6-2-491	1
	6-2-604	1		6-2-676	1
	6-2-617	1		6-2-486	1
	6-2-649	1		6-3-3	AR
	6-2-656	1		6-2-359	1
	6-2-657	1		6-2-425	1
	6-2-661	1		6-3-3	1
	6-2-682	1		6-2-196	1
	6-2-687	1		505-9208-001	2
	6-2-689	1		506-7848-002	1
	6-2-142	1		5100-25C	1
	6-2-143	1		52A	1
	6-2-37	1		522-1093-000	1
	6-2-651	1		6-3-	REF
	6-2-184	1		6-1-	1
	6-3-15	1		6-1-	1
	6-3-23	1		6-2-152	1
	6-2-155	1		6-2-152	1
	6-2-280	1		6-2-600	1
	6-2-291	1		6-2-710	2
	6-2-295	1		6-2-421	1
	6-2-323	1		6-2-149	2
	6-2-337	1		6-2-652	2
	6-2-355	1		6-2-336	2
	6-2-376	1		6-2-578	2
	6-2-383	1		6-2-199	1
	6-2-392	1		6-2-86	1
	6-2-396	1		6-2-46	4
	6-2-397	1		6-2-85	1
6-2-401	1	6-2-45	4		
6-2-408	1	6-3-8	1		
6-2-438	1	6-3-3	1		
6-2-458	1	6-3-3	1		
6-2-480	1	6-3-7	1		
6-2-512A	1	6-2-104	1		
6-2-552	1	6-2-177	1		
6-2-621	1	6-2-230	1		
6-2-689	1	6-2-448	1		
6-2-732	1	6-2-20	3		
6-2-195	1	6-3-32	1		
6-2-236	1	6-3-19	1		
6-2-334	1	6-3-14	1		
6-2-377	1	6-3-10	1		
6-2-404B	1	6-3-3	1		
6-2-409B	1	6-3-2	1		
6-2-459B	1	6-3-4	1		
6-2-462	1	6-3-9	1		
6-2-514	1	6-2-187	2		

section 6
parts list

NUMERICAL INDEX

PART NUMBER	FIG - ITEM	TTL REQ	PART NUMBER	FIG - ITEM	TTL REQ
543-8022-002	6-2-163	1	544-9699-000	6-2-245	1
	6-2-164	1		6-2-250	1
543-8024-000	6-2-183	1	544-9700-000	6-2-237	1
543-8028-002	6-2-315	1	544-9701-000	6-2-189	1
543-8029-000	6-2-63	2	544-9705-002	6-2-69	1
543-8030-000	6-2-62	1	544-9706-002	6-2-185	1
543-8033-002	6-2-22	1	544-9707-002	6-2-186	1
543-8034-002	6-2-21	1	544-9709-000	6-2-49A	1
543-8035-000	6-2-26	1	544-9710-002	6-2-696	1
543-8039-000	6-2-1	6	544-9711-002	6-2-138	1
	6-2-1	5	544-9714-002	6-2-160	1
543-8042-000	6-2-14	1	544-9715-002	6-2-385	1
543-8043-000	6-2-7	1	544-9716-002	6-2-39	1
543-8044-000	6-2-31	1	544-9717-002	6-2-40	2
543-8061-002	6-2-348	1	544-9719-003	6-2-194	1
	6-2-387	1	544-9720-003	6-2-73	1
	6-2-429	1	544-9721-003	6-2-74	1
	6-2-431	1	544-9722-003	6-2-66	1
543-8062-002	6-2-58	1	544-9723-003	6-2-148	1
543-8065-002	6-2-71	2	544-9725-003	6-2-746	1
543-8070-003	6-2-64	1	544-9727-003	6-2-747	1
543-8076-002	6-2-20	1	544-9729-003	6-2-119	3
543-8078-002	6-2-13	1	544-9742-005	6-1-41	1
543-8080-002	6-2-748	1	544-9744-005	6-1-40	1
543-8084-002	6-2-23	1	544-9745-005	6-1-4	1
543-8087-002	6-2-70	2	545-6000-002	6-2-28	1
543-8088-002	6-2-8	1	545-6002-000	6-2-27	1
543-8093-003	6-2-29	1	545-6181-002	6-2-733	1
543-8101-002	6-1-2	2	545-7605-002	6-2-275	1
543-8103-002	6-2-62		545-7784-003	6-2-123	1
543-8104-002	6-2-19	1	545-7785-003	6-2-122	3
543-8123-000	6-2-309	1	545-7786-003	6-2-121	1
544-0467-002	6-2-198	1	545-9113-000	6-2-745	1
544-0779-004	6-2-2	1	545-9114-000	6-1-5	1
544-2825-002	6-2-420	1		6-2-	REF
	6-2-710	1	545-9115-004	6-2-746	1
544-2832-003	6-2-120	1	545-0255-000	6-2-658	1
544-2844-002	6-2-76	1	545-2130-002	6-2-65	1
544-3124-002	6-2-182	1	545-3328-002	6-2-646	1
544-3125-002	6-2-161	2	545-4009-002	6-2-214	1
544-3126-002	6-2-319	1	545-7823-004	6-2-24	1
544-3128-002	6-2-16	1	545-7829-004	6-2-18	1
544-3130-002	6-2-207	1	545-7833-002	6-2-324	1
544-3132-002	6-2-424	1	545-7945-003	6-2-437	1
544-3139-002	6-2-59	1	545-7971-002	6-2-38	1
544-3146-003	6-2-160A		545-8005-002	6-2-276	2
544-3148-003	6-2-32	1		6-2-646	2
544-7239-002	6-1-3	2	548-8217-000	6-2-219	1
544-7261-000	6-2-124	1		6-2-252	1
544-7262-000	6-2-5	1	548-9326-000	6-2-25	1
544-7265-002	6-2-125	1	553-5701-004	6-2-15	1
544-7266-002	6-2-423	1	553-5702-004	6-2-15	1
544-7267-002	6-2-6	1	553-5787-003	6-2-9	1
544-7268-002	6-2-3	1	55662-2884	6-3-12	AR
544-7277-004	6-2-4	1	55665-0043	6-3-11	1
544-9692-000	6-2-751	1	55665-0053	6-3-12	AR
544-9693-000	6-2-752	1	55665-0054	6-3-12	AR
544-9694-000	6-2-208	1	55665-0055	6-3-12	AR
544-9695-000	6-2-49	1	55665-0056	6-3-12	AR
544-9696-000	6-2-745	1	55665-0057	6-3-12	AR
544-9697-000	6-1-5	1	55665-0058	6-3-12	AR
	6-2-	REF	55665-0068	6-3-13	AR
544-9698-000	6-2-340	1	55665-0069	6-3-13	AR

NUMERICAL INDEX

PART NUMBER	FIG - ITEM	TTL REQ	PART NUMBER	FIG - ITEM	TTL REQ
55665-0070	6-3-13	AR		6-2-496	1
55665-0074	6-3-13	AR		6-2-587	1
557-018-1-5-7A	6-2-233	1		6-2-641	1
	6-2-715	1		6-2-683	1
	6-2-721	1	608 A	6-2-47	1
557-018-3-12A	6-2-712	1		6-2-78	1
	6-2-718	1		6-2-79	1
557-018-5-25A	6-2-712	1		6-2-109	1
	6-2-720	1	606-9731-001	6-2-160	1
	6-2-721	1	608-9615-001	6-2-159	1
	6-2-742	1	609-0573-001	6-1-4H	1
	6-3-17	1		6-1-4J	1
557006COP039R	6-2-712	1	609-1215-001	6-2-95	1
	6-2-714	1	61468	6-2-165	1
	6-2-716	1		6-2-167	1
	6-2-720	1	618-3304-001	6-1-4E	1
	6-2-724	1	628-0774-001	6-1-4A	1
	6-2-742	1	747RBLACK	6-1-1	4
557006U2P034R	6-2-234	1	7543	6-3-1	1
	6-2-701	1	757-6574-001	6-2-61	1
	6-2-702	1	757-8471-001	6-2-665	1
	6-2-703	1	757-8610-000	6-2-10	1
	6-2-705	1	757-8613-001	6-2-11	1
	6-2-713	1	757-8614-000	6-2-12	1
	6-2-717	1	779-2661-001	6-2-506	1
	6-2-719	1	790-0408-000	6-2-6	1
	6-2-722	1	8131M203-651-104	6-2-305	1
	6-2-723	1	Z		
	6-2-725	1		6-2-516	1
	6-2-726	1	82-11-180-16	6-1-4C	2
	6-2-727	1	82-31-293-15	6-1-48	2
	6-2-728	1	820-0171-00	6-2-231	AR
57-634-5	6-2-60	5	845-014X5V0503Z	6-2-676	1
59-412-1000	6-2-53	1	858W5T2KV1KPPFOR	6-2-172	1
	6-2-81	3	M20PCT		
	6-2-81			6-2-173	1
	6-2-81			6-2-174	1
	6-2-96	1		6-2-650	1
	6-2-97	1	86C P11-1008	6-2-645	1
	6-2-102	1	86C P9-1003	6-2-276	1
	6-2-104	1	88128CK	6-2-204	1
	6-2-106	1	88130CK	6-2-203	1
	6-2-108	1	88216CK	6-2-316	1
	6-2-110	1	8942	6-2-206	2
6-32X1-8 6SPLINE	6-2-184	2		6-2-316	2
416SST				6-2-347	2
6-40X1-8 4SPLINE	6-2-138	2		6-2-386	2
416SST				6-2-428	2
6AZ8	6-2-50	1		6-2-430	2
	6-2-101	1	8947-151	6-2-4	1
	6-2-103	1		6-2-15	1
6BN8	6-2-52	1	8980-2 1-4	6-2-205	4
	6-2-80	1		6-2-206	4
	6-2-107	1		6-2-428	2
6CL6	6-2-176	1	8980-2 1-8	6-2-428	2
6DC6	6-2-87	1	8980-2 3-16	6-2-316	2
6EA8	6-2-79	1		6-2-347	2
6EB8	6-2-105	1		6-2-386	2
6H12	6-2-288	1		6-2-430	2
	6-2-335	1	905	6-2-193	1
	6-2-358	1		6-2-711	7
	6-2-404	1	913-3829-000	6-2-209	1
	6-2-468	1			

section 6
parts list

NUMERICAL INDEX

PART NUMBER	FIG - ITEM	TTL REQ	PART NUMBER	FIG - ITEM	TTL REQ
913-3829-000	6-2-209				
	6-2-264	1			
	6-2-264				
	6-2-266	1			
	6-2-266				
	6-2-267	1			
	6-2-267				
	6-2-269	1			
	6-2-269				
	6-2-272	1			
	6-2-272				
	6-2-277	1			
	6-2-277				
	6-2-282	1			
	6-2-282				
	6-2-409	1			
	6-2-409				
	6-2-451	1			
	6-2-451				
	6-2-452	1			
	6-2-452				
	6-2-453	1			
	6-2-453				
	6-2-454	1			
	6-2-454				
	6-2-477	1			
	6-2-477				
	6-2-502	1			
	6-2-502				
	6-2-606	1			
	6-2-606				
	6-2-642	1			
	6-2-642				
	6-2-647	1			
	6-2-647				
	6-2-648	1			
	6-2-648				
	6-2-654	1			
	6-2-654				
913NEOPRENE45-55	6-2-708	2			
920-0138-000	6-2-192	1			
9348	6-2-222	1			
9404-11-20026	6-2-190	1			
97NM02	6-2-67	1			

6.4 REFERENCE DESIGNATION INDEX

REFERENCE DESIGNATION	FIG - ITEM	PART NUMBER	REFERENCE DESIGNATION	FIG - ITEM	PART NUMBER
CR1	6-2-605A	1N34A	C111	6-2-718	557-018-3-12A
CR1	6-2-605A	FA-4200	C112	6-2-350	CM05FD241G03
CR10	6-2-531	1N1490	C113	6-2-725	557006U2P034R
CR11	6-2-690	1N458	C114	6-2-349	DM15E560K500WV4C
CR12	6-2-459C	1N5383B			R
CR13	6-2-409A	1N5383B	C115	6-2-717	557006U2P034R
CR2	6-2-605A	1N34A	C116	6-2-716	557006COP039R
CR2	6-2-605A	FA-4200	C117	6-2-233	557-018-1-5-7A
CR3	6-2-605A	1N34A	C118	6-2-229	CC20CK010C
CR3	6-2-605A	FA-4200	C119	6-2-418	CC20CK020D
CR301	6-3-18	1N4454	C119	6-2-418	DM15C100K500WV4C
CR301	6-3-18	1N34A			R
CR4	6-2-605A	1N34A	C12	6-2-502	913-3829-000
CR4	6-2-605A	FA-4200	C120	6-2-234	557006U2P034R
CR5	6-2-343	VVC445	C121	6-2-321	CM05FD221J03
CR6	6-2-410	1N34A	C121	6-2-321	CM05FD271J03
CR7	6-2-210	1N1490	C122	6-2-330	36C175A
CR8	6-2-634	1N458	C123	6-2-171	SK10066S
CR9	6-2-300	1N458	C124	6-2-235	CK61AW222M
C1	6-2-449	33C2	C125	6-2-320	CM05FD331G03
C10	6-2-509	DM15C100K500WV4C	C126	6-2-227	36C175A
		R	C127	6-2-224	44C7A
C10	6-2-509	DM15C120K500WV4C	C128	6-2-312	DM15E510K500WV4C
		R			R
C10	6-2-509	DM15C150K500WV4C	C129	6-2-723	557006U2P034R
		R	C13	6-2-502	913-3829-000
C10	6-2-509	CM05ED200J03	C130	6-2-719	557006U2P034R
C10	6-2-509	CM05ED240J03	C131	6-2-311	CM05FD221J03
C10	6-2-509	CM05ED270J03	C132	6-2-209	913-3829-000
C10	6-2-509	DM15E330K500WV4C	C133	6-2-318	CM05FD131J03
		R	C133	6-2-318	CM04FD111G03
C10	6-2-509	CM05ED330J03	C134	6-2-721	557-018-5-25A
C10	6-2-509	CM05ED390J03	C134	6-2-721	557-018-1-5-7A
C10	6-2-509	CM05ED430J03	C135	6-2-317	DM15E330K500WV4C
C10	6-2-509	DM15E470K500WV4C			R
		R	C135	6-2-317	CM05ED200J03
C10	6-2-509	DM15E510K500WV4C	C136	6-2-724	557006COP039R
		R	C137	6-2-732	327029H3M0102K
C10	6-2-509	DM15E560K500WV4C	C138	6-2-256	CC20CK010C
		R	C139	6-2-217	36C175A
C10	6-2-509	CM05ED620J03	C14	6-2-153	CM05ED470J03
C10	6-2-509	CM05ED680J03	C140	6-2-247	331013X5U0501K
C10	6-2-509	CM05ED750J03	C141	6-2-253	331013X5U0501K
C10	6-2-509	CM05ED470J03	C142	6-2-246	331013X5U0501K
C10	6-2-509	CM05ED820J03	C143	6-2-212	331013X5U0501K
C10	6-2-509	CM05FD910J03	C144	6-2-215	331013X5U0501K
C10	6-2-509	CM05FD111J03	C145	6-2-221	331013X5U0501K
C10	6-2-509	CM05FD131J03	C146	6-2-255	36C175A
C10	6-2-509	CM05FD121J03	C147	6-2-209	913-3829-000
C10	6-2-509	CM05FD151J03	C148	6-2-173	858W5T2KV1KPFPOR
C100	6-2-511	44C7A			M20PCT
C101	6-2-522	2DDD63G104XAA	C149	6-2-174	858W5T2KV1KPFPOR
C102	6-2-581	D28121			M20PCT
C103	6-2-562	44C7A	C15	6-2-155	40C73A1
C104	6-2-687	36C175A	C150	6-2-190	9404-11-20026
C105	6-2-540	DM15F471J300WV4C	C151	6-2-192	920-0138-000
		R	C152	6-2-736	PD52414
C106	6-2-743	D29413	C153	6-2-735	PD52414
C107	6-2-41	36C175A	C154	6-2-734	PD52414
C108	6-2-661	36C175A	C155	6-2-737	PD52313
C109	6-2-722	557006U2P034R	C156	6-2-270	36C175A
C11	6-2-489	36C175A	C157	6-2-305	8131M203-651-104
C110	6-2-345	CM05FD361J03			Z

section 6
parts list

REFERENCE DESIGNATION INDEX

REFERENCE DESIGNATION	FIG - ITEM	PART NUMBER	REFERENCE DESIGNATION	FIG - ITEM	PART NUMBER
C158	6-2-304	36C175A	C218	6-2-287	CM05FD221J03
C159	6-2-307	2DD063G104XAA	C219	6-2-280	40C73A1
C16	6-2-283	DM15E330K500WV4C R	C219	6-2-280	DM15F101K500WV4C R
C160	6-2-491	5C11A	C22	6-2-293A	CM05ED220J03
C161	6-2-647	913-3829-000	C220	6-2-337	40C73A1
C162	6-2-644	2DDH63N103M	C221	6-2-377	41C92
C163	6-2-643	2DDH63N103M	C222	6-2-361	36C175A
C164	6-2-647	913-3829-000	C223	6-2-564	19C372
C165	6-2-642	913-3829-000	C224	6-2-405	33C2
C166	6-2-642	913-3829-000	C225	6-2-507	2DD063G104XAA
C167	6-2-648	913-3829-000	C226	6-2-396	40C73A1
C168	6-2-650	858W5T2KV1KPF POR M20PCT	C227	6-2-236	41C92
C168	6-2-650	DA172-057CB	C228	6-2-243	327-029X5T0102Z
C169	6-2-649	36C175A	C229	6-2-248	36C175A
C18	6-2-279	36C175A	C23	6-2-291	40C73A1
C180	6-2-169	2DMT54T150JAA	C230	6-2-241	327-029X5T0102Z
C180	6-2-169	DA855-010	C231	6-2-516	8131M203-651-104 Z
C181	6-2-606	913-3829-000	C232	6-2-542	36C175A
C182	6-2-606	913-3829-000	C234	6-2-621	40C73A1
C183	6-2-172	858W5T2KV1KPF POR M20PCT	C235	6-2-569	36C175A
C183	6-2-172	DA172-057CB	C236	6-2-409	913-3829-000
C184	6-2-178	160-104-3	C237	6-2-409	913-3829-000
C184	6-2-178	2557-018-8-50E	C238	6-2-334	41C92
C186	6-2-295	40C73A1	C24	6-2-551	44C7A
C187	6-2-392	40C73A1	C241	6-2-239	327-029X5T0102Z
C187	6-2-401	40C73A1	C242	6-2-282	913-3829-000
C188	6-2-469	36C175A	C243	6-2-282	913-3829-000
C19	6-2-289	36C175A	C244	6-2-277	913-3829-000
C190	6-2-648	913-3829-000	C245	6-2-277	913-3829-000
C191	6-2-266	913-3829-000	C246	6-2-272	913-3829-000
C192	6-2-266	913-3829-000	C247	6-2-272	913-3829-000
C193	6-2-656	36C175A	C248	6-2-521	331013X5U0501K
C194	6-2-654	913-3829-000	C249	6-2-519	331013X5U0501K
C195	6-2-271	36C175A	C25	6-2-338	CC20CH6R0D
C196	6-2-657	36C175A	C250	6-2-269	913-3829-000
C197	6-2-264	913-3829-000	C251	6-2-269	913-3829-000
C198	6-2-267	913-3829-000	C252	6-2-281	36C175A
C199	6-2-267	913-3829-000	C253	6-2-442	2DD063G104XAA
C2	6-2-476	DM15F221K500WV4C R	C254	6-2-484	D29343
C20	6-2-298	36C175A	C256	6-2-639	44C7A
C200	6-2-264	913-3829-000	C257	6-2-346	DM15C120K500WV4C R
C201	6-2-265	36C175A	C259	6-2-622	D31582
C202	6-2-654	913-3829-000	C26	6-2-369	CC20CH6R0D
C203	6-2-454	913-3829-000	C260	6-2-223	33C2
C204	6-2-454	913-3829-000	C261	6-2-548	DM15F101K500WV4C R
C205	6-2-451	913-3829-000	C262	6-2-515B	36C175A
C206	6-2-451	913-3829-000	C263	6-2-455	36C175A
C207	6-2-452	913-3829-000	C264	6-2-599	D29343
C208	6-2-452	913-3829-000	C264	6-2-599	TC65
C209	6-2-453	913-3829-000	C265	6-2-689	36C175A
C21	6-2-720	557-018-5-25A	C255	6-2-689	40C73A1
C21	6-2-720	557006COP039R	C266	6-2-401B	DM15C120K500WV4C R
C210	6-2-453	913-3829-000	C267	6-2-393	DM15C100K500WV4C R
C211	6-2-691	41C92	C267	6-2-393	DM15C050D500WV4C R
C212	6-2-202	36C175A	C268	6-2-370	2DD063G104XAA
C214	6-2-478	19C372	C269	6-2-244	33C2
C215	6-2-637	19C372			
C216	6-2-151	33C2			
C217	6-2-286	CM05FD221J03			

REFERENCE DESIGNATION INDEX

REFERENCE DESIGNATION	FIG - ITEM	PART NUMBER	REFERENCE DESIGNATION	FIG - ITEM	PART NUMBER
C27	6-2-376	40C73A1	C44	6-2-323	40C73A1
C270	6-2-171A	DM15C120K500WV4C R	C45	6-2-480	40C73A1
C272	6-2-341	CM05C0100D03	C46	6-2-462	41C92
C272	6-2-341	CCR75CH7R5JM	C47	6-2-495	160P47394
C272	6-2-341	CM05C0100D03	C47	6-2-495	LP9A1E683K
C273	6-2-447	2DDD63G104XAA	C48	6-2-467	33C2
C274	6-2-384	36C175A	C49	6-2-537	41C92
C275	6-2-583	36C175A	C5	6-2-242	327-029X5T0102Z
C276	6-2-681	33C58	C50	6-2-539	DM15F471J300WV4C R
C277	6-2-567	36C175A	C51	6-2-545	DM15F471J300WV4C R
C278	6-2-459B	41C92	C52	6-2-536	DM15F471J300WV4C R
C279	6-2-460B	33C2	C53	6-2-624	DM15C150K500WV4C R
C28	6-2-371	36C175A	C54	6-2-154	T50411
C280	6-2-404B	41C92	C55	6-2-620	CM05FD181J03
C281	6-2-409B	41C92	C55	6-2-620	CM05FD101J03
C29	6-2-367	36C175A	C56	6-2-592	33C2
C3	6-2-479	44C7A	C59	6-2-408	40C73A1
C30	6-2-351	DM15C100K500WV4C R	C6	6-2-486	5C13A
C301	6-3-12	55665-0054	C60	6-2-342	DM15E200K500WV4C R
C301	6-3-12	55665-0055	C60	6-2-342	DM15C100K500WV4C R
C301	6-3-12	55665-0056	C61	6-2-397	40C73A1
C301	6-3-12	55665-0057	C62	6-2-438	40C73A1
C301	6-3-12	DA934-022	C63	6-2-702	557006U2P034R
C301	6-3-12	2DPT34L200KAA	C64	6-2-436	DM15F121K500WV4C R
C301	6-3-12	55665-0058	C65	6-2-703	557006U2P034R
C301	6-3-12	55665-0053	C66	6-2-434	CM05ED470J03
C301	6-3-12	2DPT34L200KAC	C67	6-2-705	557006U2P034R
C301	6-3-12	DA934-026	C68	6-2-713	557006U2P034R
C301	6-3-12	55662-2884	C69	6-2-440	CM05FD221J03
C302	6-3-15	4C1022BH3	C69	6-2-440	CM05FD241J03
C302	6-3-15	D205F102F	C7	6-2-617	36C175A
C303	6-3-23	4C3025BH3	C70	6-2-701	557006U2P034R
C303	6-3-23	D205F302F	C72	6-2-552	40C73A1
C304	6-3-16	DM15E201F0300WV4 CR	C74	6-2-398A	CM05ED470J03
C304	6-3-16	DM5B510J050WV	C74	6-2-398A	CM05ED430J03
C305	6-3-13	55665-0074	C75	6-2-419	36C175A
C305	6-3-13	55665-0070	C76	6-2-712	557-018-3-12A
C305	6-3-13	55665-0068	C76	6-2-712	557-018-5-25A
C305	6-3-13	55665-0069	C76	6-2-712	557006COP039R
C306	6-3-25	20C109	C77	6-2-392A	CM06FD511J03
C307	6-3-24	20C109	C79	6-2-354	CC20CJ030D
C308	6-3-17	557-018-5-25A	C8	6-2-604	36C175A
C309	6-3-27	20C109	C80	6-2-555	36C175A
C31	6-2-390	DM15C100K500WV4C R	C82	6-2-240	327-029X5T0102Z
C310	6-3-22	20C109	C83	6-2-458	40C73A1
C311	6-3-11	55665-0043	C84	6-2-441	2DDD63G104XAA
C32	6-2-727	557006U2P034R	C85	6-2-477	913-3829-000
C33	6-2-389	CM05FD131J03	C86	6-2-477	913-3829-000
C34	6-2-728	557006U2P034R	C87	6-2-527	DM15F101K500WV4C R
C35	6-2-388	CM05ED220J03	C88	6-2-616	CM06FD511J03
C36	6-2-714	557006COP039R	C89	6-2-520	36C175A
C37	6-2-726	557006U2P034R	C9	6-2-742	557-018-5-25A
C38	6-2-391	CM05FD361G03	C9	6-2-742	557006COP039R
C39	6-2-715	557-018-1-5-7A	C90	6-2-514	41C92
C4	6-2-594	44C7A	C91	6-2-512A	40C73A1
C40	6-2-383	40C73A1			
C41	6-2-355	40C73A1			
C42	6-2-294	36C175A			
C43	6-2-363	36C175A			

REFERENCE DESIGNATION INDEX

REFERENCE DESIGNATION	FIG - ITEM	PART NUMBER	REFERENCE DESIGNATION	FIG - ITEM	PART NUMBER
C92	6-2-682	36C175A	L22	6-2-623	MS75089-15
C93	6-2-676	5C11A	L23	6-2-228	240-0186-000
C93	6-2-676	845-014X5V0503Z	L23	6-2-228	MS75103-1
C94	6-2-574	DM15C100K500HV4C R	L24	6-2-302	MS90538-20
C96	6-2-579	44C7A	L25	6-2-403	MS90538-20
C97	6-2-232	DM15E270K500HV4C R	L26	6-2-457	MS75008-40
C97	6-2-232	CM05ED390J03	L26	6-2-457	MS75101-7
C98	6-2-573	19C372	L27	6-2-653	MS75008-33
C99	6-2-584	19C372	L27	6-2-653	LT4K039
DS1	6-2-140	MS15571-2	L28	6-2-179	240-0194-000
DS2	6-2-44	MS15571-2	L28	6-2-179	MS75103-10
FL1	6-2-152	526-9427-000	L29	6-2-237	544-9700-000
FL1	6-2-152	526-9337-000	L3	6-2-333	MS90540-07
J1	6-2-749	201-11-01-018	L30	6-2-250	544-9699-000
J10	6-2-100	3501FP	L303	6-3-9	543-7333-003
J11	6-2-112	3501FP	L304	6-3-20	10200-129
J12	6-2-115	3501FP	L31	6-2-576	MS90540-07
J13	6-2-645	86CP11-1008	L32	6-2-180	240-0194-000
J14	6-2-34	13A	L32	6-2-180	MS75103-10
J15	6-2-35	M641-5-1	L33	6-2-296	18-257
J16	6-2-114	3501FP	L34	6-2-245	544-9699-000
J17	6-2-96	59-412-1000	L35	6-2-559	MS75101-7
J18	6-2-91	3501FP	L35	6-2-559	MS75008-40
J19	6-2-116	3501FP	L38	6-2-615	MS90539-15
J2	6-2-113	3501FP	L39	6-2-613	MS90539-15
J20	6-2-117	3501FP	L4	6-2-729	X094-1
J21	6-2-90	3501FP	L40	6-2-344	MS90538-20
J22	6-2-700	3501FP	L42	6-2-460A	MS90540-07
J23	6-2-699	3501FP	L43	6-2-399B	MS75089-23
J24	6-2-97	59-412-1000	L44	6-2-404A	MS75089-27
J25	6-2-276	86CP9-1003	L5	6-2-375	MS90538-20
J26	6-2-698	3501FP	L6	6-2-339	MS90538-20
J27	6-2-740	3501FP	L7	6-2-400	MS90540-07
J28	6-2-750	201-11-01-018	L7	6-2-400	MS75089-27
J3	6-2-111	3501FP	L9	6-2-741	X004
J4	6-2-93	3501FP	M1	6-2-43	458-0491-00
J5	6-2-118	3501FP	R1	6-2-445	RCR07G473KS
J6	6-2-89	3501FP	R100	6-2-631	RCR32G100KS
J7	6-2-99	3501FP	R101	6-2-660	RCR20G470KS
J8	6-2-92	3501FP	R102	6-2-553	RCR20G102KS
J9	6-2-98	3501FP	R103	6-2-325	RCR07G103KS
K2	6-2-667	T163X96	R104	6-2-226	RCR20G101KS
K2	6-2-667	B106703	R105	6-2-238	RCR42G223KS
K3	6-2-201	KR2565-1	R105	6-2-238	RCR32G123KS
K4	6-2-662	T163X97	R106	6-2-225	RCR20G151KS
K4	6-2-662	110-3680	R109	6-2-249	RCR20G120KS
L1	6-2-278	MS90540-07	R11	6-2-411	RCR07G105KS
L10	6-2-324	546-7833-002	R110	6-2-254	RCR20G120KS
L11	6-2-328	MS90538-20	R111	6-2-251	RCR20G120KS
L12	6-2-222	9348	R112	6-2-211	RCR20G120KS
L13	6-2-309	543-8123-000	R113	6-2-218	RCR20G120KS
L14	6-2-315	543-8028-002	R114	6-2-220	RCR20G120KS
L17	6-2-183	543-8024-000	R115	6-2-308	RCR20G222KS
L18	6-2-189	544-9701-000	R116	6-2-684	RCR20G183KS
L19	6-2-200	506-7848-002	R117	6-2-693	RCR20G102KS
L2	6-2-156	18-257	R118	6-2-293	RCR07G684KS
L2	6-2-156	MS75089-35	R119	6-2-492	RCR07G155KS
L20	6-2-284	4422-10-38	R12	6-2-518	RCR20G102KS
L21	6-2-191	02242	R120	6-2-523	RCR20G393KS
L21	6-2-191	34103	R121	6-2-145	WR5454
L22	6-2-623	MS90538-20	R122	6-2-524	RCR42G473KS
			R123	6-2-144	RCR20G473KS
			R124	6-2-368	RCR07G392KS

REFERENCE DESIGNATION INDEX

REFERENCE DESIGNATION	FIG - ITEM	PART NUMBER	REFERENCE DESIGNATION	FIG - ITEM	PART NUMBER
R124	6-2-368	RCR07G682KS	R158A	6-2-525	RCR20G221KS
R125	6-2-399	RCR20G473KS	R158B	6-2-525A	RCR07G680KS
R125	6-2-399	RCR20G333KS	R158B	6-2-525A	RCR07G390KS
R125	6-2-399A	RCR42G123KS	R158B	6-2-525A	RCR07G470KS
R126	6-2-673	RCR20G681KS	R158B	6-2-525A	RCR07G820KS
R127	6-2-170	RCR32G474KS	R158B	6-2-525A	RCR07G560KS
R128	6-2-473	RCR07G335KS	R158B	6-2-525A	RCR07G101KS
R129	6-2-257	RCR20G102KS	R158B	6-2-525A	RCR07G121KS
R13	6-2-513	RCR07G105KS	R158B	6-2-525A	RCR07G151KS
R130	6-2-677	RCR20G104KS	R158B	6-2-525A	RCR07G181KS
R131	6-2-461	RCR42G333KS	R158B	6-2-525A	RCR07G221KS
R132	6-2-147	WR5455	R159	6-2-407	RCR20G102KS
R132	6-2-147	WR5451	R16	6-2-610	RCR07G470KS
R133	6-2-679	RCR20G183KS	R16	6-2-610	RCR07G181KS
R134	6-2-554	RCR20G124KS	R16	6-2-610	RCR07G271KS
R135	6-2-471	RCR20G102KS	R160	6-2-413	RCR20G124KS
R136	6-2-362	RCR07G474KS	R161	6-2-258	RCR20G222KS
R137	6-2-685	RCR20G823KS	R161	6-2-258	RCR20G272KS
R138	6-2-603	RCR07G473KS	R161	6-2-258	RCR20G332KS
R139	6-2-635	RCR07G473KS	R161	6-2-258	RCR20G392KS
R14	6-2-612	RCR07G470KS	R161	6-2-258	RCR20G472KS
R14	6-2-612	RCR07G181KS	R161	6-2-258	RCR20G562KS
R14	6-2-612	RCR07G271KS	R161	6-2-258	RCR20G682KS
R140	6-2-485	RCR07G181KS	R161	6-2-258	RCR20G822KS
R140	6-2-485	RCR07G221KS	R161	6-2-258	RCR20G103KS
R140	6-2-485	RCR07G271KS	R161	6-2-258	RCR20G123KS
R140	6-2-485	RCR07G331KS	R162	6-2-557	RCR20G390KS
R140	6-2-485	RCR07G391KS	R162	6-2-557	RCR20G270KS
R140	6-2-485	RCR07G471KS	R162	6-2-557	RCR20G820KS
R140	6-2-485	RCR07G561KS	R162	6-2-557	RCR20G101KS
R140	6-2-485	RCR07G681KS	R162	6-2-557	RCR20G560KS
R140	6-2-485	RCR07G821KS	R162	6-2-557	RCR20G680KS
R140	6-2-485	RCR07G102KS	R162	6-2-557	RCR20G470KS
R140	6-2-485	RCR07G122KS	R162	6-2-557	RCR20G470KS
R140	6-2-485	RCR07G123KS	R162	6-2-557	RCR20G220KS
R140	6-2-485	RCR07G153KS	R162	6-2-557	RCR20G330KS
R140	6-2-485	RCR07G183KS	R163	6-2-494	PW5-6001-10
R140	6-2-485	RCR07G223KS	R164	6-2-512	RCR20G474KS
R140	6-2-485	RCR07G273KS	R165	6-2-596	RCR20G474KS
R141	6-2-501	RCR20G393KS	R166	6-2-585	RCR20G681KS
R142	6-2-273	RCR42G103KS	R167	6-2-671	RCR20G101KS
R143	6-2-379	745-3360-000	R168	6-2-382	RCR07G560KS
R143	6-2-379	RCR32G152KS	R169	6-2-332	RCR20G102KS
R143	6-2-379	RCR32G222KS	R17	6-2-488	RCR07G103KS
R144	6-2-378	RCR32G332KS	R170	6-2-664A	RCR07G104KS
R145	6-2-535	RCR07G473KS	R171	6-2-541	RCR07G105KS
R145	6-2-535	RCR07G154KS	R172	6-2-614A	RCR07G820KS
R145	6-2-535	RCR07G683KS	R173	6-2-446	RCR42G220KS
R145	6-2-535	RCR07G823KS	R174	6-2-380	RCR20G560KS
R146	6-2-216	PW7-15000-10PCT	R175	6-2-515A	RCR20G470KS
R147	6-2-526	RCR20G683KS	R176	6-2-529	RCR32G472KS
R148	6-2-213	RCR42G821KS	R177	6-2-591	RCR42G273KS
R148	6-2-213	RW6TV821	R178	6-2-310	RCR20G183KS
R15	6-2-614	WR5453	R179	6-2-313	RCR20G123KS
R15	6-2-614	WR5434	R18	6-2-499	RCR32G473KS
R15	6-2-614	WR5455	R18	6-2-499	RCR42G183KS
R150	6-2-692	RCR07G181KS	R180	6-2-680	RCR20G684KS
R151	6-2-435	RCR07G272KS	R180	6-2-680	RCR20G154KS
R152	6-2-439	RCR07G562KS	R181	6-2-549	RCR07G105KS
R153	6-2-395	RCR42G682KS	R182	6-2-672	RCR20G680KS
R154	6-2-415	RCR20G104KS	R182	6-2-672	RCR20G470KS
R155	6-2-571	RCR20G155KS	R183	6-2-327	RCR07G105KS
R156	6-2-595	RCR20G155KS	R184	6-2-303	RCR07G684KS
R157	6-2-655	RCR32G680KS			

REFERENCE DESIGNATION INDEX

REFERENCE DESIGNATION	FIG - ITEM	PART NUMBER	REFERENCE DESIGNATION	FIG - ITEM	PART NUMBER
R189	6-2-640	RCR20G823KS	R303	6-3-26	RCR20G104KS
R19	6-2-503	RCR20G121KS	R31	6-2-372	RCR07G104KS
R190	6-2-626	RCR20G152KS	R32	6-2-331	RCR20G101KS
R190	6-2-626	RCR20G222KS	R33	6-2-364	RCR32G333KS
R191	6-2-326	RCR20G152KS	R34	6-2-356	RCR07G104KS
R192	6-2-329	RCR20G274KS	R35	6-2-627	RCR20G104KS
R193	6-2-299	RCR20G224KS	R36	6-2-402	RCR20G221KS
R193	6-2-299	RCR07G105KS	R37	6-2-360	RCR20G683KS
R194	6-2-301	RCR32G104KS	R38	6-2-139	RCR20G151KS
R194	6-2-301	RCR20G474KS	R38	6-2-139	RCR20G680KS
R195	6-2-618	RCR20G470KS	R38	6-2-139	RCR20G221KS
R196	6-2-530	RCR20G101KS	R39	6-2-142	376-7202-000
R197	6-2-333	RCR20G222KS	R4	6-2-450	RCR20G683KS
R198	6-2-401A	RCR07G273KS	R40	6-2-460	RCR32G104KS
R199	6-2-472	RCR07G225KS	R41	6-2-463	RCR20G331KS
R2	6-2-443	RCR07G105KS	R42	6-2-497	RCR07G825KS
R20	6-2-490	RCR42G683KS	R43	6-2-37	376-7206-000
R200	6-2-366	RCR07G105KS	R44	6-2-464	RCR20G274KS
R201	6-2-466	RCR20G224KS	R45	6-2-143	376-7202-000
R202	6-2-508	RCR20G331KS	R46	6-2-500	RCR20G332KS
R202	6-2-508	RCR42G123KS	R46	6-2-500	RCR20G222KS
R203	6-2-606A	RCR07G181KS	R47	6-2-493	RCR42G683KS
R204	6-2-483	RCR07G221KS	R48	6-2-498	RCR07G825KS
R205	6-2-608	RCR07G221KS	R49	6-2-543	RCR20G104KS
R206	6-2-607	RCR07G181KS	R5	6-2-605	RCR07G474KS
R207	6-2-56	RCR07G471KS	R50	6-2-546	RCR32G473KS
R207	6-2-56	RCR20G681KS	R50	6-2-546	RCR20G473KS
R208	6-2-487	RCR20G101KS	R51	6-2-550	RCR07G394KS
R208	6-2-487	RCR07G471KS	R51	6-2-550	RCR07G334KS
R209	6-2-568	RCR20G101KS	R52	6-2-532	RCR07G394KS
R21	6-2-259	RCR20G470KS	R52	6-2-532	RCR07G334KS
R210	6-2-582	RCR20G624JS	R53	6-2-556	RCR20G183KS
R211	6-2-589	RCR07G471KS	R53	6-2-556	RCR07G273KS
R212	6-2-285	RCR07G105KS	R54	6-2-619	RCR20G105KS
R213	6-2-688	RCR07G225KS	R55	6-2-593	RCR20G224KS
R214	6-2-433	RCR07G472KS	R56	6-2-638	RCR20G562KS
R215	6-2-547	RCR20G470KS	R57	6-2-636	RCR20G102KS
R22	6-2-558	RCR20G560KS	R58	6-2-297	RCR20G102KS
R22	6-2-558	RCR20G101KS	R59	6-2-292	RCR07G104KS
R23	6-2-274	RCR20G121KS	R6	6-2-602	RCR20G102KS
R24	6-2-268	WR5453	R61	6-2-394	RCR20G151KS
R25	6-2-306	RCR20G121KS	R62	6-2-398	RCR07G104KS
R26	6-2-290	RCR07G474KS	R63	6-2-381	RCR07G105KS
R27	6-2-365	RCR07G104KS	R64	6-2-417	RCR20G102KS
R28	6-2-373	RCR07G560KS	R65	6-2-414	RCR20G105KS
R29	6-2-374	RCR20G221KS	R66	6-2-416	RCR20G224KS
R3	6-2-444	RCR20G181KS	R67	6-2-412	RCR20G104KS
R30	6-2-146	WR5453	R68	6-2-406	RCR20G153KS
R301	6-3-29	RCR20G104KS	R69	6-2-633	RCR32G153KS
R301	6-3-29A	RCR20G183KS	R7	6-2-625	RCR20G473KS
R301	6-3-29A	RCR20G223KS	R70	6-2-632	RCR42G223KS
R301	6-3-29A	RCR20G273KS	R71	6-2-601	RCR20G104KS
R301	6-3-29A	RCR20G393KS	R72	6-2-470	HM6821
R301	6-3-29A	RCR20G563KS	R73	6-2-456	RCR42G153KS
R301	6-3-29A	RCR20G823KS	R74	6-2-459	RCR07G105KS
R301	6-3-29A	RCR20G124KS	R75	6-2-474	RCR20G100KS
R301	6-3-29A	RCR20G154KS	R76	6-2-475	RCR20G473KS
R301	6-3-29A	RCR20G154KS	R77	6-2-534	RCR20G102KS
R301	6-3-29A	RCR20G184KS	R78	6-2-528	RCR07G105KS
R301	6-3-29A	RCR20G104KS	R79	6-2-533	RCR20G393KS
R301	6-3-29A	RCR20G224KS	R8	6-2-706	BA812-1211
R301	6-3-29A	RCR20G274KS	R80	6-2-515	RCR20G473KS
R302	6-3-21	RCR20G823JS	R81	6-2-517	RCR32G562KS

REFERENCE DESIGNATION INDEX

REFERENCE DESIGNATION	FIG - ITEM	PART NUMBER	REFERENCE DESIGNATION	FIG - ITEM	PART NUMBER
R82	6-2-678	RCR20G472KS	XDS1	6-2-141	4159-043
R82	6-2-678	RCR07G472KS	XK2	6-2-668	0211-012-002-00
R83	6-2-675	RCR07G335KS	XK4	6-2-663	30055-20
R83	6-2-675	RCR20G155KS	XV1	6-2-102	59-412-1000
R84	6-2-504	BA811-2798	XV10	6-2-168	168-013-1000
R85	6-2-674	RCR20G123KS	XV11	6-2-48	TS103P01
R86	6-2-572	PW7-2500-10PCT	XV12	6-2-81	59-412-1000
R87	6-2-588	RCR20G682KS	XV13	6-2-81	59-412-1000
R88	6-2-577	RCR20G821KS	XV14	6-2-53	59-412-1000
R89	6-2-538	RCR20G184KS	XV15	6-2-108	59-412-1000
R9	6-2-357	RCR07G560KS	XV16	6-2-106	59-412-1000
R90	6-2-590	RCR20G273KS	XV17	6-2-81	59-412-1000
R91	6-2-570	RCR07G473KS	XV2	6-2-110	59-412-1000
R92	6-2-695	BA811-2896	XV3	6-2-104	59-412-1000
R93	6-2-566	RCR07G105KS	XV4	6-2-51	TS103P01
R94	6-2-565	RCR07G225KS	XV5	6-2-84	TS103P01
R95	6-2-586	RCR20G562KS	XV6	6-2-84	TS103P01
R96	6-2-563	RCR20G224KS	XV7	6-2-88	TS102P01
R97	6-2-597	RCR20G680KS	XV8	6-2-177	TS103P01
R98	6-2-598	RCR07G474KS	XV9	6-2-166	168-013-1000
R99	6-2-561	RCR42G123KS	XY1	6-2-710	544-2825-002
S11	6-2-54	196302F1AC	XY15	6-2-77	TS0205C01
S12	6-2-694	22698-6MLW	XY3	6-2-420	544-2825-002
S13	6-2-423	22692-414LW1	Y1	6-2-126	290-9009-000
S14	6-2-428	192796CK	Y10	6-2-130	290-9098-000
S15	6-2-704	191774-23	Y11	6-2-131	290-9099-000
S2	6-2-427	192796CK	Y12	6-2-133	5290-9201-000
S3	6-2-430	196305CK	Y15	6-2-75	BL289-1424-000
S4	6-2-386	196305CK	Y16	6-2-628	BL290-8705-000
S5	6-2-347	196305CK	Y17	6-2-629	BL290-8706-000
S6	6-2-316	88216CK	Y2	6-2-127	290-9010-000
S7	6-2-204	88128CK	Y3	6-2-132	290-9011-000
S8	6-2-203	88130CK	Y4	6-2-135	290-9027-000
S9	6-2-630	197029K4	Y5	6-2-137	290-9028-000
TS1	6-2-260	332-14-04-022	Y6	6-2-128	290-9062-000
TS2	6-2-261	52A	Y7	6-2-129	290-9063-000
TS9	6-2-262	332-14-02-001	Y8	6-2-134	290-9066-000
T1	6-2-697	X003	Y9	6-2-136	290-9097-000
T1	6-2-697	X682-1	Z1	6-2-163	543-8022-002
T2	6-2-730	X094-1	Z2	6-2-164	543-8022-002
T3	6-2-385	544-9715-002	Z4	6-2-340	544-9698-000
T301	6-3-30	X006-1	Z5	6-2-731	X239
T4	6-2-437	546-7945-003	Z6	6-2-219	548-8217-000
T5	6-2-739	X083	Z7	6-2-252	548-8217-000
T6	6-2-651	37859			
V1	6-2-101	6AZ8			
V10	6-2-167	6146B			
V11	6-2-47	6U8A			
V12	6-2-78	6U8A			
V13	6-2-79	6U8A			
V13	6-2-79	6EA8			
V14	6-2-52	6BN8			
V15	6-2-107	6BN8			
V16	6-2-105	6EB8			
V17	6-2-80	6BN8			
V2	6-2-109	6U8A			
V3	6-2-103	6AZ8			
V4	6-2-50	6AZ8			
V5	6-2-83	12AT7			
V6	6-2-82	12AT7			
V7	6-2-87	6DC6			
V8	6-2-176	6CL6			
V9	6-2-165	6146B			

