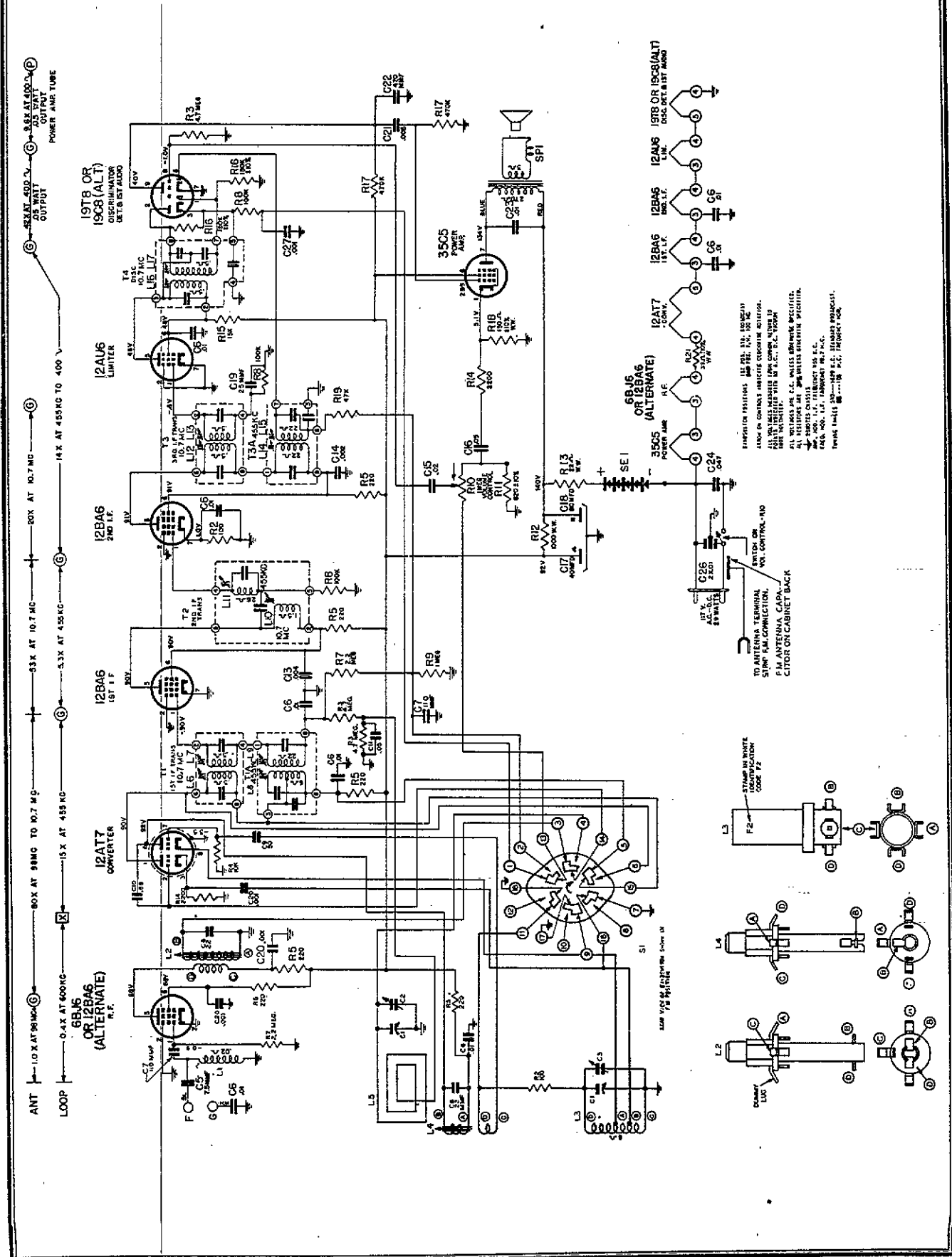


MODEL H723 Z1,
Ch. 7H04 Z1



ANT 1.0 X AT 96 MC
 LOOP 0.4 X AT 400 KC
 8B16 OR 12B16 (ALTERNATE) T.T.
 12AT7 CONVERTER
 12B16 1ST IF
 12B16 2ND IF
 12A16 LIGHTER
 19T8 OR 19C8 (ALT) OSCILLATOR
 3505 POWER TUBE
 6B16 (ALTERNATE) POWER AMPL
 12B16 1ST LF
 12B16 2ND LF
 12AT7 12.6V
 14 X AT 450 KC TO 400 V
 80 X AT 10.7 MC
 33 X AT 10.7 MC
 5 X AT 455 KC
 80 X AT 98 KC TO 10.7 MC
 0.4 X AT 400 KC
 1.0 X AT 96 MC
 3.6 X AT 400 MC
 0.5 WATT
 10 WATT
 POWER AMP. TUBE

REPLACEMENT PARTS LIST IS ON P. 23, INCLUDING INFO ON CONTROLS, SPECIFIC TUBE CONTROL, AND TUBE IDENTIFICATION. SEE CASE 72 FOR TUBE IDENTIFICATION WITH "R.C.C." P.C. TUBES. ALL WIREGAGES ARE P.C. UNLESS OTHERWISE SPECIFIED. ALL RESISTORS ARE 5% UNLESS OTHERWISE SPECIFIED. CAPACITORS ARE P.C. UNLESS OTHERWISE SPECIFIED. PAGES 23, 24, 25, 26, 27, 28, 29, 30, 31, 32, 33, 34, 35, 36, 37, 38, 39, 40, 41, 42, 43, 44, 45, 46, 47, 48, 49, 50, 51, 52, 53, 54, 55, 56, 57, 58, 59, 60, 61, 62, 63, 64, 65, 66, 67, 68, 69, 70, 71, 72, 73, 74, 75, 76, 77, 78, 79, 80, 81, 82, 83, 84, 85, 86, 87, 88, 89, 90, 91, 92, 93, 94, 95, 96, 97, 98, 99, 100.

TO ANTENNA TERMINAL
 STAMP "R.C.C."
 P.M. ANTENNA CAPACITOR ON CABINET BACK

